

SQ2403PG

2400 - 2500 MHz Antenna

ASSEMBLY AND INSTALLATION

SPECIFICATIONS

Model	SQ2403PG
Frequency:	2400 - 2500 MHz
Gain w/12" cable:	3.0 dBi
VSWR:	1.7:1 Max
E-Plane Beamwidth:	50 degrees
E-Plane PeakAngle:	45 degrees
H-Plane:	Omnidirectional
Impedance (Ohms):	50
Connector:	N (f)
Weight lb. (kg):	.52 (.23)
Mounting:	Tile Clip, Ceiling
Dimensions in.(cm):	4 x 4 x 7/8 (10.2 x 10.2 x 2.2)
Enclosure:	UV Stable ASA radome
Cable in (cm):	CMP rated Plenum cable,72" (183cm)



Please read all instructions carefully before attempting to install and use this product.

SAFETY

The SQ2403PG and all associated equipment should be installed in accordance with applicable local and national electrical-code guidelines to ensure safe operation.

APPLICATION

The Cushcraft SQ2403PG-series Squint™ is a 2.4-2.5GHz ceiling-mounted omnidirectional panel antenna used for interior RF-distribution systems. Its unique umbrella-shaped radiation pattern tilts downward and spreads out to provide uniform coverage to all parts of a room or interior space (Figure 3).

LOCATION

For best results, mount the SQ2403PG Squint™ at ceiling level near the center of the coverage area. A line-of-sight path between the antenna and active floor locations generally works best. Although 2.4 GHz signals penetrate cubical dividers and interior walls with little attenuation, reinforced block walls, banks of metal cabinets, or steel shelving may attenuate signals or cause multipath—a condition where reflected signals interfere with the primary signal path. Avoid mounting next to a column or vertical support that could create a “shadow zone” of reduced coverage to one portion of the room.

LIMITED WARRANTY

CUSHCRAFT CORPORATION, P.O. BOX 4680, MANCHESTER, NEW HAMPSHIRE 03108, WARRANTS TO THE ORIGINAL CONSUMER PURCHASER FOR TWO YEARS FROM DATE OF PURCHASE THAT EACH CUSHCRAFT ANTENNA IS FREE OF DEFECTS IN MATERIAL OR WORKMANSHIP. IF, IN THE JUDGMENT OF CUSHCRAFT, ANY SUCH ANTENNA IS DEFECTIVE, THEN CUSHCRAFT CORPORATION WILL, AT ITS OPTION, REPAIR OR REPLACE THE ANTENNA AT ITS EXPENSE WITHIN THIRTY DAYS OF THE DATE THE ANTENNA IS RETURNED (AT PURCHASER'S EXPENSE) TO CUSHCRAFT OR ONE OF ITS AUTHORIZED REPRESENTATIVES. THIS WARRANTY IS IN LIEU OF ALL OTHER EXPRESSED WARRANTIES, ANY IMPLIED WARRANTY IS LIMITED IN DURATION TO ONE YEAR. CUSHCRAFT CORPORATION SHALL NOT BE LIABLE FOR ANY INCIDENTAL OR CONSEQUENTIAL DAMAGES WHICH MAY RESULT FROM A DEFECT. SOME STATES DO NOT ALLOW LIMITATIONS ON HOW LONG AN IMPLIED WARRANTY LASTS OR EXCLUSIONS OR LIMITATIONS OF INCIDENTAL OR CONSEQUENTIAL DAMAGES, SO THE ABOVE LIMITATION AND EXCLUSION MAY NOT APPLY TO YOU. THIS WARRANTY GIVES YOU SPECIFIC LEGAL RIGHTS, AND YOU MAY ALSO HAVE OTHER RIGHTS WHICH VARY FROM STATE TO STATE. THIS WARRANTY DOES NOT EXTEND TO ANY PRODUCTS WHICH HAVE BEEN SUBJECT TO MISUSE, NEGLIGENCE, ACCIDENT OR IMPROPER INSTALLATION, ANY REPAIRS OR ALTERATIONS OUTSIDE OF THE CUSHCRAFT CORPORATION FACTORY WILL NULLIFY THIS WARRANTY.

SPECIFICATIONS SUBJECT TO CHANGE WITHOUT NOTICE

WARRANTY AND LIABILITY

Cushcraft Corporation shall not be liable for any incidental or consequential damages which may result from a defect, or use, improper or otherwise or installation, improper or otherwise.
Please contact your vendor for technical support and warranty service.

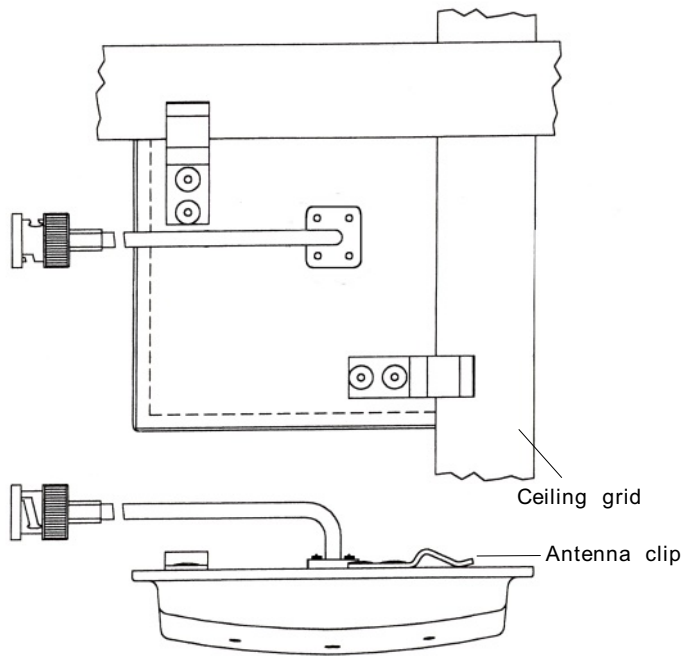


48 PERIMETER ROAD, MANCHESTER, NH 03103
Tel: 603-627-7877-Fax: 603-627-1764
email: sales@cushcraft.com - web: www.cushcraft.com

MOUNTING OPTIONS

Suspended-ceiling mounting clips are provided on the rear panel of the antenna package. Make a small hole in the tile to pass the feedline through, then install the antenna at the tile corner, as shown in (Figure 1).

FIGURE 1



MOUNTING OPTIONS (cont.)

For installations that utilize ceiling tile with a recessed edge, use the plastic adapter clips provided. Snap the clip onto the ceiling tile grid and then mount the antenna to the clips as shown in (Figure 2).

FIGURE 2

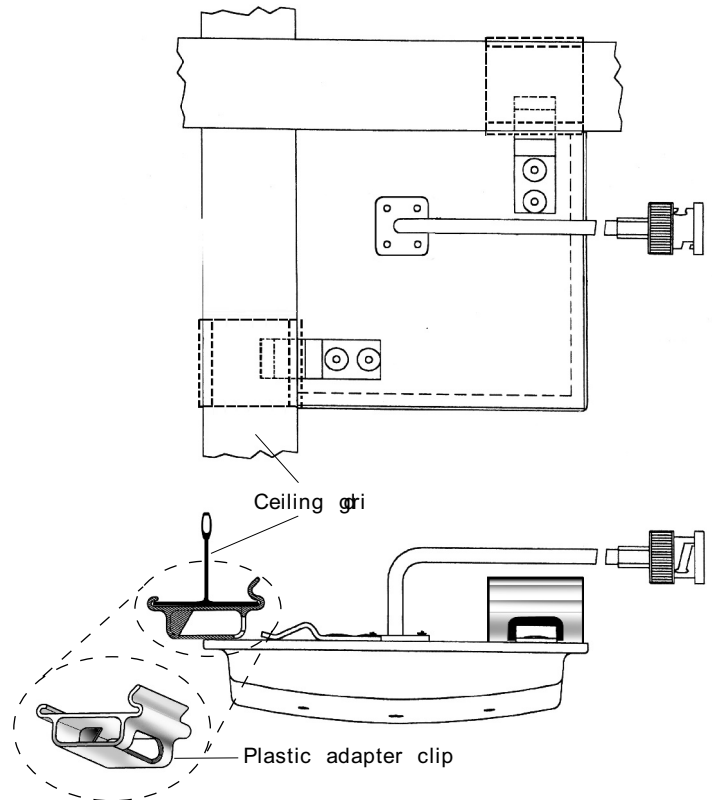


FIGURE 3

