



Release Notes:

Version E.09.02 Software

for the HP ProCurve Series 5300XL Switches

Release E.09.02 supports these switches:

- HP ProCurve Switch 5304XL (J4850A)
- HP ProCurve Switch 5308XL (J4819A)
- HP ProCurve Switch 5348XL (J4849A) – 48-port (10/100) bundle in Switch 5304XL chassis
- HP ProCurve Switch 5372XL (J4848A) – 72-port (10/100) bundle in Switch 5308XL chassis
- HP ProCurve Switch 5304xl-G32 (J8166A) – 32-port (10/100/1000) bundle in 5304XL chassis
- HP ProCurve Switch 5308xl-G48 (J8167A) – 48-port (10/100/1000) bundle in 5308XL chassis

These release notes include information on the following:

- Downloading switch software and Documentation from the Web ([page 1](#))
 - Clarification of operating details for certain software features ([page 8](#))
 - Software features available in releases E.07.xx, E.08.xx, and E.09.02 ([page 13](#))
 - A listing of software fixes included in releases E.06.xx through E.09.02 ([page 22](#))
-

Boot ROM Update Required

A successful update to E.09.xx from any software version earlier than E.07.37 requires updating the 5300 with the current Boot ROM version, E.05.04. The E.05.04 Boot ROM image was automatically installed on any switch running the E.07.37 or E.07.40 software versions. If your 5300xl is currently running a pre-E.07.37 software version, you must update the Boot ROM before installing E.09.xx by loading software version E.07.40

Caution

The startup-config file saved under version E.09.xx or greater is backward-compatible with version E.08.xx, but is NOT backward-compatible with E.07.xx or earlier software versions. Users are advised to save a copy of any pre-E.08.xx startup-config file BEFORE UPGRADING to E.08.xx, E.09.xx, or greater, in case there is ever a need to revert to pre-E.08.xx software. Instructions for saving a copy of the startup-config file are found in the “Transferring Switch Configurations” section of Appendix A in the *Management and Configuration Guide* (included in PDF format on the Product Documentation CD-ROM) shipped with the switch, and also available on the HP ProCurve web site. (Refer to [“Downloading Switch Documentation and Software from the Web”](#) on page 1.)

© Copyright 2001, 2005 Hewlett-Packard Company, LP.
The information contained herein is subject to change
without notice.

Publication Number

5991-2127
January 2005

Applicable Product

HP ProCurve Switch 5304XL	(J4850A)
HP ProCurve Switch 5308XL	(J4819A)
HP ProCurve Switch 5348XL	(J4849A)
HP ProCurve Switch 5372XL	(J4848A)
HP ProCurve Switch 5304xl-G32	(J8166A)
HP ProCurve Switch 5308xl-G48	(J8167A)

Trademark Credits

Microsoft®, Windows®, and Windows NT® are US registered trademarks of Microsoft Corporation. Adobe® and Acrobat® are trademarks of Adobe Systems Incorporated. Java™ is a US trademark of Sun Microsystems, Inc.

Software Credits

SSH on HP ProCurve Switches is based on the OpenSSH software toolkit. This product includes software developed by the OpenSSH Project for use in the OpenSSH Toolkit. For more information on OpenSSH, visit

[http:// www.openssh.com](http://www.openssh.com).

SSL on HP ProCurve Switches is based on the OpenSSL software toolkit. This product includes software developed by the OpenSSL Project for use in the OpenSSL Toolkit. For more information on OpenSSL, visit

<http://www.openssl.org>.

This product includes cryptographic software written by Eric Young (eay@cryptsoft.com). This product includes software written by Tim Hudson (tjh@cryptsoft.com)

Disclaimer

HEWLETT-PACKARD COMPANY MAKES NO WARRANTY OF ANY KIND WITH REGARD TO THIS MATERIAL, INCLUDING, BUT NOT LIMITED TO, THE IMPLIED WARRANTIES OF MERCHANTABILITY AND FITNESS FOR A PARTICULAR PURPOSE. Hewlett-Packard shall not be liable for errors contained herein or for incidental or consequential damages in connection with the furnishing, performance, or use of this material.

The only warranties for HP products and services are set forth in the express warranty statements accompanying such products and services. Nothing herein should be construed as constituting an additional warranty. HP shall not be liable for technical or editorial errors or omissions contained herein.

Hewlett-Packard assumes no responsibility for the use or reliability of its software on equipment that is not furnished by Hewlett-Packard.

Warranty

See the Customer Support/Warranty booklet included with the product.

A copy of the specific warranty terms applicable to your Hewlett-Packard products and replacement parts can be obtained from your HP Sales and Service Office or authorized dealer.

Hewlett-Packard Company
8000 Foothills Boulevard, m/s 5551
Roseville, California 95747-5551
<http://www.hp.com/go/hpprocurve>

Contents

Software Management

Software Updates	1
Downloading Switch Documentation and Software from the Web	1
Downloading Software to the Switch	2
TFTP Download from a Server	3
Xmodem Download From a PC or Unix Workstation	4
Saving Configurations While Using the CLI	6
HP ProCurve Switch Software Key	6
Minimum Software Versions for Series 5300XL Switch Features	7

Clarifications

General Switch Traffic Security Guideline	8
The Management VLAN IP Address	8
Heavy Memory Usage with PIM-DM	8
Change in QoS Priority and Policy Limit	9
Interoperating with 802.1s Multiple Spanning-Tree	9
Rate-Limiting	9
Heterogeneous Switch Meshing	10
Switch Mesh Considerations When Upgrading to Release E.07.27 or Greater	11
Upgrading the Software in Meshed, Series 5300XL Switches	11
Upgrading in Heterogeneous Meshes	11
OS/Web/Java Compatibility Table	12
Time Zone Offset	12

Enhancements

Release E.09.02 Enhancements	13
Release E.08.53 Enhancements	15
Release E.08.50 Enhancements	15
Release E.08.42 Enhancements	15
Release E.08.30 Enhancements	15

Release E.08.07 Enhancements	15
Release E.08.03 Enhancements	16
Release E.08.01 Enhancements	16
Release E.07.40 Enhancements	18
Release E.07.37 Enhancements	18
Release E.07.34 Enhancements	18
Release E.07.30 Enhancements	18
Release E.07.29 Enhancements	18
Release E.07.27 Enhancements	18
Release E.07.22 Enhancements	19
Release E.07.21 Enhancements	19
Release E.06.10 Enhancements	20
Release E.06.05, E.06.03, and E.06.02 Enhancements	20
Release E.06.01 Enhancements	20

Software Fixes in Release E.06.xx through E.09.xx

Release E.09.02	22
Release E.08.53	23
Release E.08.50	23
Release E.08.42	24
Release E.08.30	25
Release E.08.07	27
Release E.08.03	29
Release E.08.01	29
Release E.07.40	31
Release E.07.37	32
Release E.07.34	32
Release E.07.30	33
Release E.07.29	33
Release E.07.27	34
Release E.07.22	35
Release E.07.21	35

Release E.06.10	40
Release E.06.05	40
Release E.06.03	40
Release E.06.02	41
Release E.06.01	41

— *This page is intentionally unused.* —

Software Management

Software Updates

Check the HP ProCurve web site frequently for software updates for the various HP ProCurve switches you may have in your network.


Downloading Switch Documentation and Software from the Web

You can download software updates and the corresponding product documentation from HP's ProCurve web site as described below.

To Download a Software Version:

1. Go to HP's ProCurve web site at:
<http://www.hp.com/go/hpprocurve>.
2. Click on **Software updates** (in the sidebar).
3. Under **Latest software**, click on **Switches**.

To Download Product Documentation: You will need the Adobe® Acrobat® Reader to view, print, and/or copy the product documentation.

1. Go to HP's ProCurve web site at <http://www.hp.com/go/hpprocurve>.
2. Click on **Technical support**, then **Product manuals**.
3. Click on the name of the product for which you want documentation.
4. On the resulting web page, double-click on a document you want.
5. When the document file opens, click on the disk icon  in the Acrobat® toolbar and save a copy of the file.

Downloading Software to the Switch

Caution

The startup-config file generated by the latest software release may not be backward-compatible with the same file generated by earlier software releases. Refer to “[Boot ROM Update Required](#)” on the front page.

HP periodically provides switch software updates through the HP ProCurve web site (<http://www.hp.com/go/hpprocurve>). After you acquire the new software file, you can use one of the following methods for downloading it to the switch:

- For a TFTP transfer from a server, do either of the following:
 - Click on **Download OS** in the Main Menu of the switch’s menu interface and use the (default) **TFTP** option.
 - Use the **copy tftp** command in the switch’s CLI (see below).
- For an Xmodem transfer from a PC or Unix workstation, do either of the following:
 - Click on **Download OS** in the Main Menu of the switch’s menu interface and select the **Xmodem** option.
 - Use the `copy xmodem` command in the switch’s CLI (page 4).
- Use the download utility in HP ProCurve Manager Plus.
- A switch-to-switch file transfer

Note

Downloading new software does not change the current switch configuration. The switch configuration is contained in a separate file that can also be transferred, for example, for archive purposes or to be used in another switch of the same model.

This section describes how to use the CLI to download software to the switch. You can also use the menu interface for software downloads. For more information, refer to the *Management and Configuration Guide* for your switch.

TFTP Download from a Server

Syntax: copy tftp flash <ip-address> <remote-os-file> [< primary | secondary >]

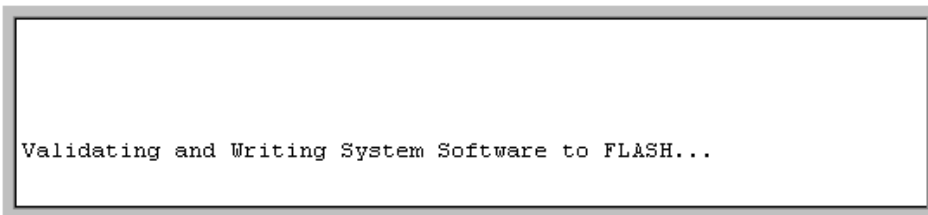
Note that if you do not specify the flash destination, the TFTP download defaults to the primary flash.

For example, to download a software file named **E_09.02.swi** from a TFTP server with the IP address of 10.28.227.103:

1. Execute the copy command as shown below:

```
HPswitch# copy tftp flash 10.28.227.103 E_09_02.swi
Device will be rebooted, do you want to continue [y/n]? y
00224K _
```

2. When the switch finishes downloading the software file from the server, it displays this progress message:



```
Validating and Writing System Software to FLASH...
```

Figure 1. Message Indicating the Switch Is Writing the Downloaded Software to Flash Memory

3. After the switch writes the downloaded software to flash memory, you will see this screen:

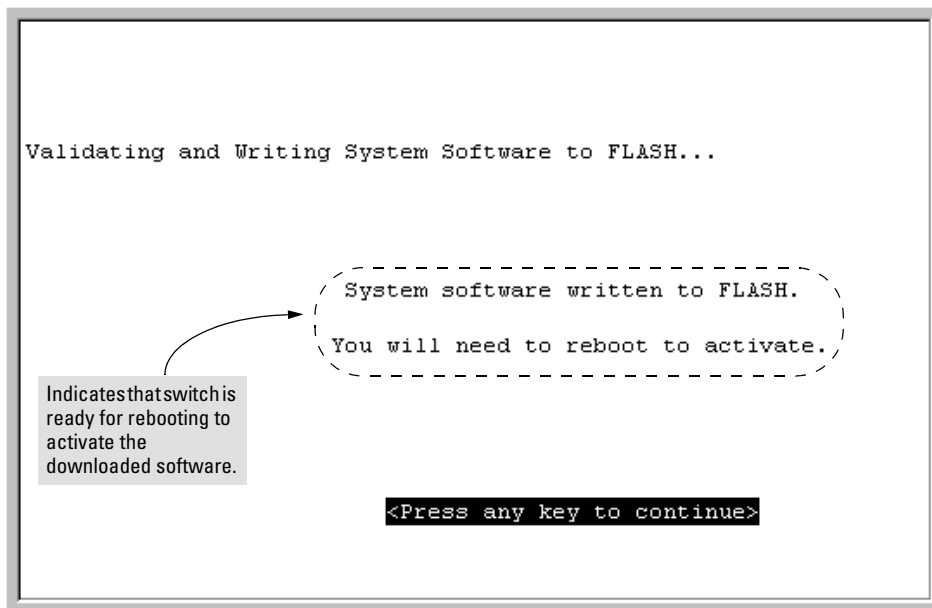


Figure 2. Message Indicating the Switch Is Ready To Activate the Downloaded Software

4. Reboot the switch.

After the switch reboots, it displays the CLI or Main Menu, depending on the **Logon Default** setting last configured in the menu's Switch Setup screen.

Xmodem Download From a PC or Unix Workstation

This procedure assumes that:

- The switch is connected via the Console RS-232 port on a PC operating as a terminal. (Refer to the Installation Guide you received with the switch for information on connecting a PC as a terminal and running the switch console interface.)
- The switch software is stored on a disk drive in the PC.
- The terminal emulator you are using includes the Xmodem binary transfer feature. (For example, in the Microsoft Windows NT® terminal emulator, you would use the **Send File** option in the **Transfer** drop-down menu.)

Syntax: `copy xmodem flash < unix | pc >`

For example, to download a software file from a PC:

1. To reduce the download time, you may want to increase the baud rate in your terminal emulator and in the switch to a value such as 57600 bits per second. (The baud rate must be the same in both devices.) For example, to change the baud rate in the switch to 57600, execute this command:

```
HPswitch(config)# console baud-rate 57600
```

(If you use this option, be sure to set your terminal emulator to the same baud rate.)

2. Execute the following command in the CLI:

```
HPswitch(config)# copy xmodem flash pc
Device will be rebooted, do you want to continue [y/n]? y
Press 'Enter' and start XMODEM on your host...
```

3. Execute the terminal emulator commands to begin the Xmodem transfer.

The download can take several minutes, depending on the baud rate used in the transfer.

When the download finishes, the switch automatically reboots itself and begins running the new software.

4. To confirm that the software downloaded correctly:

```
HPswitch> show system
```

Check the **Firmware revision** line.

```
HP ProCurve Switch 5308xl# show system

Status and Counters - General System Information

System Name       : HP ProCurve Switch 5308xl
System Contact    :
System Location   :

MAC Age Time (sec) : 300

Time Zone         : -480
Daylight Time Rule : None

Firmware revision : E.09.02
ROM Version       : E.05.04

Up Time           : 7 days
CPU Util (%)      : 1

IP Mgmt - Pkts Rx : 163,587
           Pkts Tx : 3499

Base MAC Addr     : 000a57-c86700
Serial Number     : SG316XXXXXX

Memory - Total    : 19,070,216
          Free     : 9,473,784

Packet - Total   : 1152
          Free    : 642
          Lowest  : 635
          Missed  : 0
```

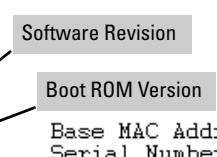


Figure 3. Verifying the Software Revision and the Boot ROM Version

5. If you increased the baud rate on the switch ([step 1](#)), use the same command to return it to its previous setting. (HP recommends a baud rate of 9600 bits per second for most applications.) Remember to return your terminal emulator to the same baud rate as the switch.

Saving Configurations While Using the CLI

The switch operates with two configuration files:

- **Running-Config File:** Exists in volatile memory and controls switch operation. Rebooting the switch erases the current running-config file and replaces it with an exact copy of the current startup-config file. To save a configuration change, you must save the running configuration to the startup-config file.
- **Startup-Config File:** Exists in flash (non-volatile) memory and preserves the most recently-saved configuration as the “permanent” configuration. When the switch reboots for any reason, an exact copy of the current startup-config file becomes the new running-config file in volatile memory.

When you use the CLI to make a configuration change, the switch places the change in the running-config file. If you want to preserve the change across reboots, you must save the change to the startup-config file. Otherwise, the next time the switch reboots, the change will be lost. There are two ways to save configuration changes while using the CLI:

- Execute **write memory** from the Manager, Global, or Context configuration level.
- When exiting from the CLI to the Main Menu, press **[Y]** (for **Yes**) when you see the “save configuration” prompt:

Do you want to save current configuration [y/n] ?

HP ProCurve Switch Software Key

Software Letter	HP ProCurve Switch
C	1600M, 2400M, 2424M, 4000M, and 8000M
E	Switch 5300xl Series (5304xl, 5308xl, 5348xl, and 5372xl)
F	Switch 2500 Series (2512 and 2524), Switch 2312, and Switch 2324
G	Switch 4100GL Series (4104GL, 4108GL, and 4148GL)
H	Switch 2600 Series, Switch 2600-PWR Series • H.07.50 and Earlier • H.08.55 and Greater
H	Switch 6108: H.07.xx and Earlier
I	Switch 2800 Series (2824 and 2848)
M	Switch 3400cl Series (3400-24G and 3400-48G) and Series 6400cl (CX4 6400cl-6XG and X2 6400cl-6XG)
N/A	Switch 9300 Series (9304M, 9308M, and 9315M), Switch 6208M-SX and Switch 6308M-SX (Uses software version number only; no alphabetic prefix. For example 07.6.04.)

Minimum Software Versions for Series 5300XL Switch Features

For Software Features. To view a tabular listing of major switch software features and the minimum software version each feature requires:

1. Visit the HP ProCurve web site at <http://www.hp.com/go/hpprocurve>.
2. Click on **software**.
3. Click on **Minimum Software Version Required by Feature**.

If you are viewing this publication online, just click on [step 3](#) to go directly to the Minimum Software information.

For Switch 5300XL Hardware Accessories.

HP ProCurve Device	Minimum Supported Software Version
J4820A 24-Port 10/100-TX Module	E.05.04
J4821A 4-Port 100/1000-T Module	E.05.04
J4839A Redundant Power Supply (RPS)	E.05.04
J4852A 12-Port 100-FX MTRJ Module	E.06.10
J4878A 4-Port Mini-GBIC Module	E.05.04
J4858A Gigabit-SX-LC Mini-GBIC	E.05.04
J4859A Gigabit-LX-LC Mini-GBIC	E.05.04
J4860A Gigabit-LH-LC Mini-GBIC	E.06.01
J8161A 24-Port 10/100-TX PoE Module	E.08.22
J4907A 16-Port 10/100/1000-T Module	E.08.42

Clarifications

General Switch Traffic Security Guideline

Where the switch is running multiple security options, it implements network traffic security based on the OSI (Open Systems Interconnection model) precedence of the individual options, from the lowest to the highest. The following list shows the order in which the switch implements configured security features on traffic moving through a given port.

1. Disabled/Enabled physical port
2. MAC lockout (Applies to all ports on the switch.)
3. MAC lockdown
4. Port security
5. Authorized IP Managers
6. Application features at higher levels in the OSI model, such as SSH.

(The above list does not address the mutually exclusive relationship that exists among some security features.)

The Management VLAN IP Address

The optional Management VLAN, if used, must be configured with a manual IP address. It does not operate with DHCP/Bootp configured for the IP address.

Heavy Memory Usage with PIM-DM

Heavy use of PIM (Many S/G--source-group--flows over many VLANs) combined with other memory-intensive features, can oversubscribe memory resources and impact overall performance. If available memory is exceeded, the switch drops any new multicast flows, and generates appropriate log messages. Corrective actions can include reducing the number of VLANs on the 5300XL device by moving some VLANs to another device, free up system resources by disabling another, non-PIM feature, and/or moving some hosts to another device. For more information, refer to “Operating Notes” and “Messages Related to PIM Operation” in the chapter titled “PIM DM (Dense Mode)” in the *Advanced Traffic Management Guide* (February, 2004 or later) for the HP ProCurve Series 5300XL switches. For more information on PIM-DM operation, refer to the chapter titled “PIM-DM (Dense Mode)” in the *Advanced Traffic Management Guide* for the HP ProCurve Series 5300XL switches. (To download switch documentation for software release E.09.xx, refer to [“Software Updates” on page 1.](#))

Change in QoS Priority and Policy Limit

Beginning with software release E.08.*xx*, the switch allows configuration of up to 400 priority and/or DSCP policy configurations. Attempting to add more than 400 entries generates an error message in the CLI.

Heavy use of QoS, combined with other memory-intensive features, can oversubscribe memory resources and impact overall performance. Updating the switch software from an earlier release in which more than 400 entries were configured causes the switch to drop any entries in excess of the first 400 and to generate an event log message indicating this action. For more information, refer to “QoS Operating Notes” in the chapter titled “Quality of Service (QoS): Managing Bandwidth More Effectively” in the *Advanced Traffic Management Guide* for the HP ProCurve Series 5300XL switches (part number 5990-6051, January 2005 or later). (To download switch documentation for software release E.09.02, refer to [“Software Updates” on page 1.](#))

Interoperating with 802.1s Multiple Spanning-Tree

The HP ProCurve implementation of Multiple Spanning-Tree (MSTP) in software release E.08.*xx* and greater complies with the IEEE 802.1s standard and interoperates with other devices running compliant versions of 802.1s. Note that the HP ProCurve Series 9300 routing switches do not offer 802.1s-compliant MSTP. Thus, to support a connection between a 9300 routing switch and a 5300XL switch running MSTP, configure the 9300 with either 802.1D (STP) or 802.1w (RSTP). For more information on this topic, refer to the chapter titled “Spanning-Tree Operation” in the *Advanced Traffic Management Guide* (part number 5990-6051, January 2005 or later). (To download switch documentation for software release E.09.02, refer to [“Software Updates” on page 1.](#))

Rate-Limiting

The configured rate limit on a port reflects the permitted forwarding rate from the port to the switch backplane, and is visible as the *average* rate of the outbound traffic originating from the rate-limited port. (The most accurate rate-limiting is achieved when using standard 64-byte packet sizes.) Also, rate-limiting reflects the available percentage of a port’s entire inbound bandwidth. The rate of inbound flow for traffic of a given priority and the rate of flow from a rate-limited port to a particular queue of an outbound port are not measures of the actual rate limit enforced on a port. Also, rate-limiting is byte-based and is applied to the available bandwidth on a port, and not to any specific applications running through the port. If the total bandwidth requested by all applications together is less than the available, configured maximum rate, then no rate-limit can be applied. This situation occurs with a number of popular throughput-testing software applications, as well as most regular network applications.

As a performance consideration, implementing rate-limiting in heavy traffic situations involving QoS, can affect overall performance. For more information on rate-limiting operation, refer to “Operating Notes for Rate-Limiting” in the chapter titled “Optimizing Traffic Flow with Port Controls, Port

Clarifications

Heterogeneous Switch Meshing

Trunking, and Filters” of the *Management and Configuration Guide* (part number 5990-6050, January 2005 or later) for the HP ProCurve Series 5300XL switches. (To download switch documentation for software release E.09.02, refer to [“Software Updates” on page 1.](#))

Heterogeneous Switch Meshing

When Series 5300XL switches running software release E.07.2x or greater are placed in backward-compatibility mode, they can operate in switch mesh domains that include HP ProCurve 1600M, 2400M, 2424M, 4000M, and 8000M switches. However, because these older switch models use a single-forwarding database, a heterogeneous domain must be free of duplicate MAC addresses on multiple switches and different VLANs. Refer to [figure 4](#) and [figure 5](#):

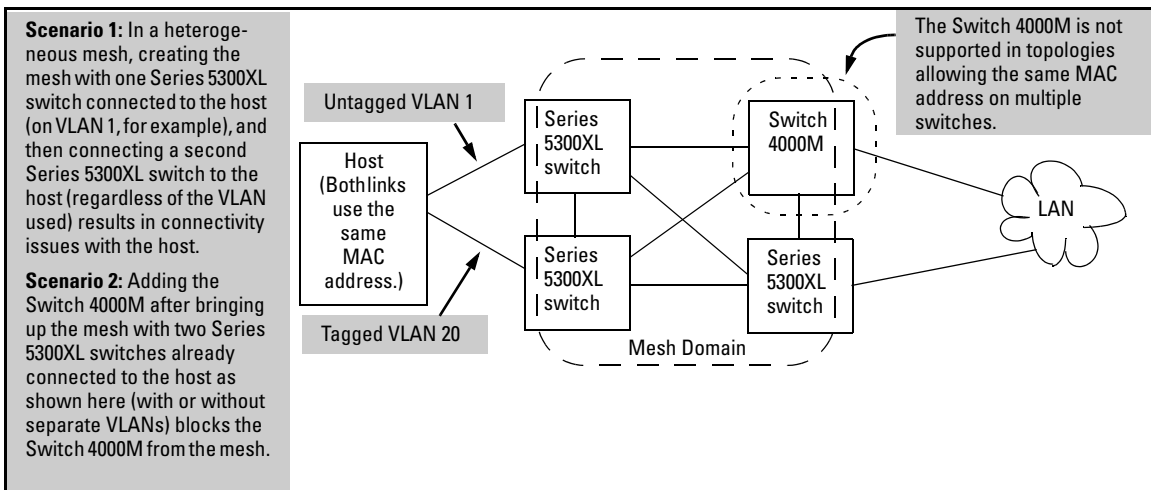


Figure 4. Example of an Unsupported Heterogeneous Topology Where Duplicate MAC Addresses Come Through Different Switches (Regardless of the VLANs Used)

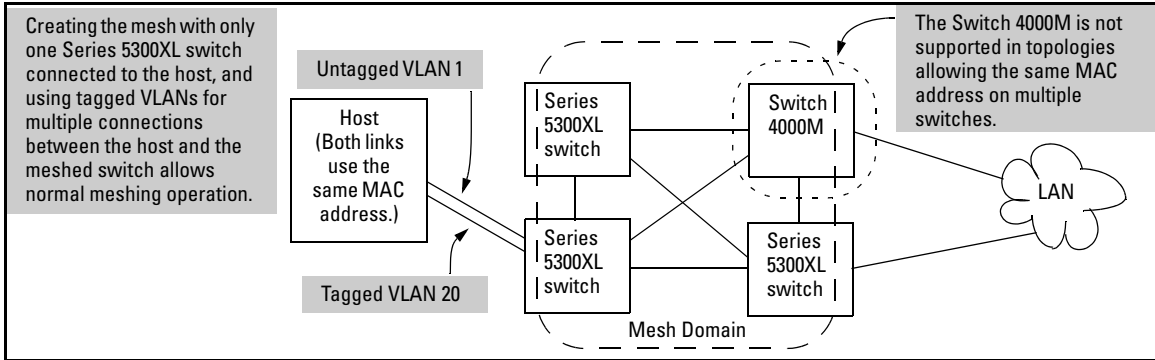


Figure 5. Example of a Supported Heterogeneous Topology Where Duplicate MAC Addresses Come Through Different VLANs on the Same Switch

Note that in [figure 4](#) and [figure 5](#), if all switches are Series 5300XL switches, then you can use either topology.

For more on this topic, refer to “Multiple VLAN Considerations” in the VLAN chapter in edition 7 (or later) of the *Management and Configuration Guide* for the Series 5300XL switches (part number 5990-6050, January 2005 or later). (The latest version of this manual is available on the HP ProCurve web site. Refer to “[Software Updates](#)” on [page 1](#).)

Switch Mesh Considerations When Upgrading to Release E.07.27 or Greater

Upgrading the Software in Meshed, Series 5300XL Switches

When performing a software update in a mesh domain, you must always update all Series 5300XL switches to the same software version.

- Supported switch mesh operation requires all Series 5300XL switches in the mesh to run the same software version.
- Although a mesh may appear to operate properly with some switches running release E.07.27 (or greater) and other switches running E.06.xx or earlier, this scenario creates an unsupported mesh environment.

Upgrading in Heterogeneous Meshes

If your mesh includes Series 5300XL switches running release E.07.22 or greater *and* any HP ProCurve 1600M/2400M/2424M/4000M/8000M switches, then you must enable mesh interoperability between the two switch families. To do so, execute the following command in the CLI of each Series 5300XL switch in the mesh:

```
HPswitch(config)# mesh backward-compat
```

Clarifications

OS/Web/Java Compatibility Table

Note: Until you complete this step, the Series 5300XL switches and the HP ProCurve 1600M/2400M/2424M/4000M/8000M switches *will not interoperate* in the mesh. For more on heterogeneous meshes, refer to the Switch Meshing chapter in the *Management and Configuration Guide* for your Series 5300XL Switch (HP part number 5990-3016, January 2005, or a later edition), available on the HP ProCurve web site. (Refer to “[Software Updates](#)” on page 1.)

OS/Web/Java Compatibility Table

The switch web agent supports the following combinations of OS browsers and Java Virtual Machines:

Operating System	Internet Explorer	Netscape Navigator	Java
Windows NT 4.0 SP6a	5.00 5.01 5.01, SP1 6.0, SP1	7.0 7.01	Sun Java 2 Runtime Environment, Ver. 1.4.2.1 Microsoft Virtual Machine 5.0.38.09
Windows 2000 SP4	5.01, SP1 6.0, SP1	7.0 7.01	
Windows XP SP1a	6.0, SP1	7.0 7.01 7.02	
Windows Server 2003	6.0, SP1		Sun Java 2 Runtime Environment, Ver. 1.4.2.1

Time Zone Offset

Starting with release E.05.xx, the method of configuring the Time Zone for TimeP or SNTP configuration has been updated. Previous switch software for all HP ProCurve switches used positive time offset values for time zones that are West of GMT and negative values for time zones that are East of GMT. The standards indicate that time zones West of GMT should be designated by negative offset values, and time zones East of GMT by positive values. Software version E.05.xx updates this configuration method, but if you use the same values for indicating time zones as you did for previous HP ProCurve switches, the time will be set incorrectly on your Series 5300GL switch. For example, for previous HP ProCurve switches, the US Pacific time zone was configured by entering **+480**. With software version E.05.xx, the US Pacific time zone must now be configured by entering **-480**.

Enhancements

Unless otherwise noted, each new release includes the features added in all previous releases.

Release E.09.02 Enhancements

The following enhancements are described in the guides referenced in each enhancement overview. For the latest version of any of these guides, refer to [“Downloading Switch Documentation and Software from the Web”](#) on page 1.

E.09.02 Enhancement	Overview
Multiple Configuration Files	This feature supports up to three different startup-config files on the switch. This enables you to easily set (and override) reboot policies, maintain different configurations for different software versions, and test new configurations while ensuring that an unattended reboot will use a proven configuration. For more information, refer to the section titled “Multiple Configuration Files on 5300xl Switches” in chapter 6 of the <i>Management and Configuration Guide</i> for your switch (January 2005 edition or later).
UDP Directed Broadcasts	This routing feature enables optional, per-VLAN UDP broadcast forwarding to support client requests sent as limited IP broadcasts to UDP application ports. For more information, refer to the section titled “UDP Broadcast Forwarding on 5300xl Switches” in chapter 11 of the <i>Advanced Traffic Management Guide</i> for your switch (January 2005 edition or later).
Virus-Throttling	This new security feature uses connection-rate filtering based on virus throttling technology, and is recommended for use on the edge of a network to detect the worm-like behavior where a host attempts to create a large number of outbound IP connections on a routed interface in a short time. The feature includes filtering and sensitivity options, and also supports the option to use specialized ACLs (Access Control Lists) to enable forwarding or dropping routed traffic from specific sources. For more information, refer to chapter 3, “Virus Throttling”, in the <i>Access Security Guide</i> for your switch (January 2005 edition or later).
HTTP Support for PoE	The switch’s web browser interface can now configure PoE (Power over Ethernet) operation on ports equipped for PoE operation. To access this feature, start the switch’s web browser interface, click on the Configuration tab, and then click on the PoE Configuration tab.
LLDP (Link-Layer Discovery Protocol)	Enabled in the default configuration, this new feature provides a standards-based method for enabling the switches to advertise themselves to adjacent devices and to learn about adjacent LLDP devices. This feature also supports access by SNMP-based network discovery tools. Refer to the section titled “LLDP (Link-Layer Discovery Protocol)” in chapter 14 of the <i>Management and Configuration Guide</i> for your switch (January 2005 edition or later).

E.09.02 Enhancement	Overview
Concurrent 802.1X and Either Web Auth or MAC Auth Per-Port	In earlier software releases, 802.1X and either Web Authentication or MAC Authentication were mutually exclusive on a port. With release E.09.02 and greater the switches allow concurrent operation of 802.1X and either Web Authentication or MAC Authentication. The combined client limit for a port configured for concurrent operation is 32. Refer to the description of the client-limit option in the section titled "1. Enable 802.1X Authentication on Selected Ports" in chapter 10 of the <i>Access Security Guide</i> for your switch (January 2005 edition or later).
Multiple 802.1X User Authentication Per-Port	This feature extends 802.1X operation to multiple-client operation and allows up to 32 authenticated clients per-port. (The client limit includes any existing clients currently authenticated through Web Authentication or MAC Authentication.) Refer to the sections titled "User Authentication Methods" and "VLAN Membership Priority" in chapter 10 of the <i>Access Security Guide</i> for your switch (January 2005 edition or later).
RADIUS IDM (Identity-Driven Management) for CoS and Rate-Limiting	The switches now allow a RADIUS server to impose 802.1p (CoS) priority and Rate Limiting on inbound traffic on a port supporting a RADIUS-authenticated client. This involves configuring vendor-specific attributes on the RADIUS server. Refer to the section titled "Configuring a RADIUS Server To Specify Per-Port CoS and Rate-Limiting Services" in chapter 6 of the <i>Access Security Guide</i> for your switch (January 2005 edition or later).
RADIUS Authorized Manager-Level Login	In the default RADIUS operation, the switch automatically admits any authenticated client to the Login (Operator) privilege level. An authenticated user authorized for the Manager privilege level must authenticate again to change privilege levels. Using the optional login privilege-mode command overrides this default behavior for clients having Enable (Manager) access through Telnet, SSH, the web browser interface, or the console (serial) port. (This feature does not operate with 802.1X access.) To use this feature, you must also configure the correct service-type value for the intended clients on your RADIUS server. For more information, refer to the section titled "2. Enable the (Optional) Access Privilege Option" in chapter 6 of the <i>Access Security Guide</i> for your switch (January 2005 edition or later).
RADIUS Authentication for 5300xl Web Browser Access	The aaa authentication web < enable login > radius command allows the optional use of RADIUS as the primary password authentication method for the 5300xl web browser interface. Refer to the section titled "1. Configure Authentication for the Access Methods You Want RADIUS To Protect" in chapter 6 of the <i>Access Security Guide</i> for your switch (January 2005 edition or later).
802.1X Open VLAN Delay Option	To allow additional time for client authentication, the switch now provides the aaa port-access < port-list > unauth-period command. This option configures a delay of up to 255 seconds before placing a port with an unauthenticated client into the Unauthorized-Client VLAN. This gives a client with 802.1X supplicant capability more time to authenticate. Refer to the end of the section titled "1. Enable 802.1X Authentication on Selected Ports" in chapter 10 of the <i>Access Security Guide</i> for your switch (January 2005 edition or later).
Delete populated VLAN.	This feature allows you to delete a static VLAN without first having to remove all member ports from the VLAN. Any ports in the deleted VLAN that do not also belong to another static VLAN are automatically placed in the default VLAN. Refer to the section titled "CLI: Configuring Port-Based and Protocol-Based VLAN Parameters" in chapter 2 of the <i>Advanced Traffic Management Guide</i> for your switch (January 2005 edition or later).

Release E.08.53 Enhancements

Software fixes only; no new enhancements.

Release E.08.50 Enhancements

Software fixes only; no new enhancements.

Release E.08.42 Enhancements

Enhancement	Overview
Supports HP ProCurve Switch 10/100/1000-T xl Module (J4907A)	Provides 14 twisted-pair ports with RJ-45 connectors for 10/100/1000 Mbps (Gigabit) or 100 Mbps operation over Category 5 or better 100-ohm UTP or STP cable (category 5e recommended for Gigabit). The module also includes 2 slots for installing any of the supported HP ProCurve mini-GBICs.

Release E.08.30 Enhancements

Enhancement	Overview
Supports HP ProCurve Switch PoE xl Module (J8161A). This module is also supported in software version E.08.22 and greater.	Provides 24 10/100-TX ports that, when connected to an HP ProCurve 600 Redundant and External Power Supply (J8168A), can provide Power over Ethernet (PoE) power to 802.3af compliant devices.

Release E.08.07 Enhancements

Enhancement	Overview
Increased Number of IP Helper Addresses	In earlier software releases, the switch allowed up to 128 IP helper addresses to support DHCP Relay operation. Beginning with release E.08.07, you can configure up to 256 IP helper addresses. For more information on DHCP Relay and IP helper addresses, refer to the HP ProCurve Series 5300xl Switches <i>Advanced Traffic Management Guide</i> (part number 5990-6051, January 2005 or later). (For the latest version of this guide, refer to "Downloading Switch Documentation and Software from the Web" on page 1.)

Enhancement	Overview (Continued)
Eavesdrop Protection when using Port Security	<p>Using either the port-security command or the switch's web browser interface to enable port security on a given port automatically enables eavesdrop prevention on that port.</p> <p>This prevents the switch from using the port to flood unicast packets addressed to destination MAC addresses unknown to the switch. This blocks unauthorized users from eavesdropping on traffic intended for addresses that have aged-out of the switch's address table. (Eavesdrop prevention does not affect multicast and broadcast traffic, meaning that the switch floods these two traffic types out a given port regardless of whether port security is enabled on that port.) For more information on port security, refer to the HP ProCurve Series 5300xl Switches <i>Access Security Guide</i> (part number 5990-6051, January 2005 or later). (For the latest version of this guide, refer to "Downloading Switch Documentation and Software from the Web" on page 1.)</p>

Release E.08.03 Enhancements

Software fixes only; no new enhancements.

Release E.08.01 Enhancements

Enhancement	Overview
802.1s Multiple Spanning-Tree	Adds the option for running 802.1s Multiple Spanning-Tree on the switch to enable multiple spanning-tree instances. Interoperates with legacy 802.1D (STP) and 802.1w (RSTP) spanning-tree. (Refer to the chapter titled "Spanning-Tree Operation" in the <i>Advanced Traffic Management Guide</i> —part number 5990-6051, January 2005 or later— on the HP ProCurve website.)
Protocol VLANs	Adds the capability to create layer-3 broadcast domains for IPX, IPv4, IPv6, ARP, AppleTalk, SNA, DEClat, and Netbeui protocols. (Refer to the chapter titled "Static Virtual LANs (VLANs)" in the <i>Advanced Traffic Management Guide</i> —part number 5990-6051, January 2005 or later — on the HP ProCurve website.*)
PIM-DM	Adds the option to use PIM-DM to route multicast on the 5300XL switches. (Refer to the chapter titled "PIM-DM (Dense Mode)" in the <i>Advanced Traffic Management Guide</i> —part number 5990-6051, January 2005 or later — on the HP ProCurve website.)
Rate-Limiting	Provides a method for limiting the amount of bandwidth a user or device may utilize inbound on a switch port. (Refer to the chapter titled "Optimizing Traffic Flow with Port Controls, Port Trunking, and Filters" in the <i>Management and Configuration Guide</i> —part number 5990-6050, January 2005 — on the HP ProCurve website.)
Guaranteed Minimum Bandwidth	Provides a method for ensuring that each of a given port's outbound traffic priority queues has a specified minimum bandwidth for sending traffic out on the link to another device. (Refer to: Chapter 10, "Optimizing Traffic Flow with Port Controls, Port Trunking, and Filters" in the <i>Management and Configuration Guide</i> —part number 5990-6050, February 2004 or later — on the HP ProCurve website.)
Static Network Address Translation (Static NAT)	Provides the capability to conceal a "private" area of your network from the general population of users in the "public" area of the network while allowing access from the public area of the network to devices in the private area. (Refer to the chapter titled "IP Routing Features" in the <i>Advanced Traffic Management Guide</i> — part number 5990-6051, January 2005 or later — on the HP ProCurve website.)

Enhancement	Overview (Continued)
Web Authentication	Web authentication adds a new security option that uses a web page login to authenticate users via a RADIUS server for access to the network. (Refer to the chapter titled “Web and MAC Authentication” in the <i>Access Security Guide</i> — part number 5990-6052, January 2005 or later — on the HP ProCurve website.)
MAC Authentication	MAC authentication adds a new security option that uses a device’s MAC address to authenticate the device via a RADIUS server for access to the network. (Refer to the chapter titled “Web and MAC Authentication” in the <i>Access Security Guide</i> — part number 5990-6052, January 2005 — on the HP ProCurve website.)
MAC Lockdown/ Lockout/Secure	<ul style="list-style-type: none"> • MAC Lockdown enables the permanent assignment of a port or VLAN to a specific port on the switch. • MAC Lockout causes the switch to drop any traffic to or from the specified MAC address(es). • MAC Secure adds the “limited-continuous” option to the port-security command. This option sets a finite limit to the number of learned, ageable addresses (up to 32) allowed per-port. <p>(Refer to the chapter titled “Configuring and Monitoring Port Security” in the <i>Access Security Guide</i> — part number 5990-6052, January 2005 or later — on the HP ProCurve website.)</p>
Secure Copy and Secure FTP	Enables use of a secure, encrypted SSH session for transferring files to or from the switch. (Refer to: Appendix A, “File Transfers” in the <i>Management and Configuration Guide</i> —part number 5990-6050, January 2005 or later — on the HP ProCurve website.)
Front-Panel Security	Provides the option for enabling or disabling some of the functions of the Reset and Clear buttons on the switch’s front panel. This feature also provides the ability to disable password recovery for situations requiring a higher level of security. (Refer to the chapter titled “Configuring Username and Password Security” in the <i>Access Security Guide</i> — part number 5990-6052, January 2005 or later — on the HP ProCurve website.)
RIP Debug Logging Logging Facility	<ul style="list-style-type: none"> • RIP Debug Logging adds RIP event logging to the switch’s debug destination options. • Logging Facility adds the capability for specifying the destination subsystem the configured SyslogD servers must use. (The default is the “user” subsystem.) <p>(Refer to: Appendix C, “Troubleshooting” in the <i>Management and Configuration Guide</i> — part number 5990-6050, January 2005 or later — on the HP ProCurve website.)</p>
Eight-Port Trunking	Increases the number of ports allowed in a trunk from four to eight. (Refer to the chapter titled “Optimizing Traffic Flow with Port Controls, Port Trunking, and Filters” in the <i>Management and Configuration Guide</i> — part number 5990-6050, January 2005 or later — on the HP ProCurve website.)
Auto MDI-X	Provides CLI commands for changing the cable-configuration support on the switch’s copper ports. The options include auto-MDIX (the default), MDI, and MDI-X. (Refer to the chapter titled “Optimizing Traffic Flow with Port Controls, Port Trunking, and Filters” in the <i>Management and Configuration Guide</i> — part number 5990-6050, January 2005 or later — on the HP ProCurve website.)
Port Duplex Mismatch Detection	Provides automatically enabled duplex mismatch detection on all ports and generates an Event Log message for detected mismatches.
Flow sampling with sFlow	Adds sFlow as a flow-sampling method for use with applicable network management software. (Refer to the documentation provided with your network management software.)

Release E.07.40 Enhancements

Includes the same Boot ROM update as Release E.07.37.

Release E.07.37 Enhancements

Boot ROM Update, Version E.05.04 — Modifications have been made to Boot ROM to allow for a larger flash memory space to be available for future software releases and switch feature enhancements. The updated Boot ROM is backwards compatible with older software. Downloading E.07.37 will automatically update Boot ROM code upon switch reboot.

You can confirm that the Boot ROM has been updated using the **show flash** command. See the example below:

```
HP ProCurve Switch 5304XL# show flash
Image          Size(Bytes)  Date   Version
-----
Primary Image  : 2901599  09/26/03 E.07.37
Secondary Image : 2784788  08/13/03 E.07.34
Boot Rom Version: E.05.04
Current Boot   : Primary
```

Release E.07.34 Enhancements

Software fixes only; no new enhancements.

Release E.07.30 Enhancements

Software fixes only; no new enhancements.

Release E.07.29 Enhancements

Software fixes only; no new enhancements.

Release E.07.27 Enhancements

Software fixes only; no new enhancements.

Release E.07.22 Enhancements

Software fixes only; no new enhancements.

Release E.07.21 Enhancements

To Locate Publications Supporting E.07.21 Features:

1. Go to HP's ProCurve web site at <http://www.hp.com/go/hpprocurve>.
2. Click on **technical support**, then **manuals**.
3. Click on the name of the product for which you want documentation.
4. Select the document indicated in the enhancement description ([table 1](#)) for the desired feature.

(HP recommends periodically visiting the HP ProCurve web site to keep up-to-date with the latest documentation available for HP ProCurve Series 5300XL switch products.)

Table 1. Release E.07.21 Enhancements

Enhancement	Overview
Access Control Lists (ACLs)	Layer 3 IP filtering with ACLs lets you improve network performance and restrict network use by creating policies for switch management access and application access security. ¹
Debug and Syslog Messaging Operation	These features provide a method for recording messages you can use to help in debugging network-level problems such as routing misconfigurations and other protocol details. ¹
SNMPv3	The Series 5300XL switches now support SNMPv3 to enhance the security of SNMPv3 traffic. It include authentication and/or encryption of Management traffic configurable at the operators discretion. ¹
Meshing improvements	The Series 5300XL switches now have improved meshing features. They include greater configuration checks for meshes with (only) Series 5300XL and backwards compatibility mode for reduced connect times with legacy meshing devices. ¹ Note: If you update to release E.07.21 or later from a code version earlier than E.07.21, and if the Series 5300XL switch belongs to a switch mesh domain that includes any HP ProCurve 1600M, 2400M, 2424M, 4000M, or 8000M switches, then you must execute the backward compatibility mode command (mesh backward-compat). Otherwise, the Series 5300XL switch will not connect to the mesh.
OSPF Authentication	Adds MD5 encryption for authenticating OSPF packets. Encryption keys are managed by a centralized Key Management System (KMS). ¹
SSHv2	Updates SSH to support SSHv2. This allows for the use of PEM encoded keys and greater compatibly to SSH client software. ²
SSL	The Series 5300XL Switches now support Secure Socket Layer transactions for Web management access. This allows the switch to authenticate itself to the user and to establish a secure connection. There is support for self-signed and CA signed certificates to allow the administrator to choose the level of security required. ²
XRRP	The feature used by the HP ProCurve Series 5300XL switches to provide router redundancy or fail-over – a backup router in case one fails. XRRP is similar to the industry standard VRRP (Virtual Router Redundancy Protocol), although the details of the operation are different. ¹

Enhancement	Overview (Continued)
IGMPv3	Adds support for the IGMPv3 Join request. ¹

¹ Refer to the *Management and Configuration Guide for the HP ProCurve Series 5300XL Switches*, part number 5990-6050, January 2005 or later, on the HP ProCurve web site.

² Refer to the *Access Security Guide for the HP ProCurve Series 5300XL Switches*, part number 5990-6052, January 2005 or later, on the HP ProCurve web site.

Release E.06.10 Enhancements

Adds support for the J4852A HP ProCurve Switch XL 100-FX MTRJ module. Refer to the *HP ProCurve Switch XL Modules Installation Guide* (part number 5990-6076, May 2004 or later).

Release E.06.05, E.06.03, and E.06.02 Enhancements

Software fixes only; no new enhancements.

Release E.06.01 Enhancements

To Locate Publications Supporting E.06.01 (and greater) Features:

1. Go to HP's ProCurve web site at <http://www.hp.com/go/hpprocurve>.
2. Click on **technical support**, then **manuals**.
3. Click on the name of the product for which you want documentation.
4. Select the publication indicated in the enhancement description (below) for the desired feature.

(HP recommends periodically visiting the HP ProCurve web site to keep up-to-date with the latest documentation available for HP ProCurve Series 5300XL switch products.)

Enhancement	Overview
HP J4860A LH-LC Mini-GBIC	New long-haul mini-GBIC support for Series 5300XL switches. ¹
New Flow Control Command	The Series 5300XL switches enable per-port flow control. Beginning with release E.06.0x, use the (global) Flow Control command to enable flow control on the switch, then enable flow control on the desired port(s). ² Note: If you have enabled flow-control on individual ports while using software version E.05.04, but then downloaded software version E.06.01 (or greater) and rebooted the switch, flow control will be disabled globally on the switch (the default) and therefore will not operate on the individual ports previously configured to allow flow control. To resume the configured per-port flow-control activity, you must enable global flow control.
Change in Default for RIP Redistribution of Connected Routes	Formerly, RIP redistributed both static and connected routes by default. Now, the factory-default RIP operation automatically redistributes connected routes, but not static routes. ²

Enhancement	Overview (Continued)
Change in Default State DHCP-Relay and Helper-Addresses	Changes the factory-default state to now enable DHCP-Relay. You can determine the current state and list Helper addresses. ² Note: With DHCP-Relay disabled, if you update from release E.05.04 to E.06.01 or greater, then reboot the switch, DHCP-Relay becomes enabled. (However, to use DHCP-Relay, you will still need to configure IP Helper addresses.)
Trace Route	Provides a new feature for tracking the path of a packet between the switch and a destination IP address. ²
IP Address Command Change	This change simplifies multinetting on VLANs. ²
802.1x Open VLAN Mode (Authorized-Client and Unauthorized-Client VLANs)	Provides more flexibility for authenticating clients lacking 802.1x supplicant software, and an additional provision for controlling VLAN access by authenticated clients. ³

¹ Refer to the *Switch XL Modules Installation Guide*, part number 5990-6076, May 2004 or later.

² Refer to the *Management and Configuration Guide for the HP ProCurve Series 5300XL Switches*, part number 5990-6050, January 2005 or later.

³ Refer to the *Access Security Guide for the HP ProCurve Series 5300XL Switches*, part number 5990-6052, January 2005 or later.

Software Fixes in Release E.06.xx through E.09.xx

Release E.05.04 was the first software release for the HP ProCurve Series 5300XL switches.

Release E.09.02

Problems Resolved in Release E.09.02

- **DMA Driver (PR_1000209595)** — ASSERT_RESOURCE prints `No resources available` if it fails.
- **IP Addmgr (PR_1000202539)** — ARP cache gets cleared whenever a port comes up.
- **IP Addmgr (PR_1000206356)** — Software exception at `ipamMAcl.c:712` – host table filled with no ACLs.
- **MGR (PR_1000202237)** — VLAN MAC table flushing does not work.
- **Mirror Port (PR_1000204834)** — Mirror-Port adds a VLAN tag to untagged, monitored traffic.
- **NAT (PR_1000199309)** — NAT getting lost when cable moved.
- **Other (PR_1000204617)** — Port mirroring and ACLS cause blade assert at `dmaRx.c:1319`.
- **Other (PR_1000208358)** — Mac-to-Host route table mismatch.
- **Password (PR_1000201614)** — Non-Null terminated password causes bus error crash in setup menu.
- **Rate Limiting (PR_1000201978)** — Radius rate-limiting-ingress should allow greater than 100%.
- **RMON (PR_1000011690)** — When RMON thresholds in the switch are exceeded, no trap is generated.
- **Routing (PR_1000204580)** — Asymmetrical routing with OSPF results in 5300 CPU elevation.
- **Self-Test (PR_1000200371)** — Ports are not isolated during the selftest internal loopback testing.
- **SNMP (PR_1000196170)** — Traps are not buffered before the IP stack is initialized, causing the possibility of missing some traps generated during startup.
- **SNTP (PR_1000199632)** — NTP (SNTP) version 4 broadcast ignored by switch.
- **Tst.System (PR_1000204782)** — Bus error when copying a configuration to the switch.

Release E.08.53

Problems Resolved in Release E.08.53

- **IP Helper/DHCP Relay (PR_1*197046)** — May not handle "DHCP Inform" relay properly.
- **NAT (PR_1*199309)** — Routing to some end nodes fails when a cable is moved from one port to another or when the equivalent action happens due to XRRP fail-over or fail-back.
- **NAT (PR_1*203787)** — NAT problem when the switch has multiple VLANs configured on a port with routing enabled (that is, the one-armed router scenario)
- **SNMP/Authorized Manager (PR_1*86062)** — SNMP Sets allowed when in Operator mode and IP Authorized-Manager is set.

Release E.08.50

Problems Resolved in Release E.08.50

- **Agent (PR_1000091445)** — The switch will not respond to incoming packets, which are addressed to the switch, that have a source Ethernet address of all 0s.
- **Auto-TFTP (PR_1000187649)** — After being disabled, Auto-TFTP will not allow a forced download of an OS.
- **Crash (PR_Unknown)** — The switch may crash with a message similar to:
`Software exception at dmaTx.c:313 -- in 'tSvcWorkQ'`
- **DHCP Relay (PR_1000188635)** — The DHCP Relay agent sometimes forwards DHCP packets without modifying the MAC SA (that is, without inserting the 5300's MAC address into the SA field of the packet).
- **DHCP Relay/XRRP (PR_1000189359)** — When DHCP Relay is relaying a packet from the client to the server, it is using its router MAC address instead of XRRP MAC address as source MAC if the IP Helper address is a broadcast IP address.
- **Meshing (PR_1000193662)** — Packets with an all-zeroes MAC Destination address are not forwarded through a mesh.
- **Meshing / Address Manager (PR_1000192016)** — Broadcasts sent into a mesh are not always delivered.
- **NAT/XRRP (PR_1000188709)** — The switch sometimes does not use the XRRP virtual MAC address.

- **Performance (PR_1000188694)** — All IP Multicast packets are routed by the CPU resulting in slower performance for any CPU-dependent activity.
- **Web Authentication (PR_1000189519)** — The Web Authentication URL has an extra slash: "http://webauth/index.html". As a result, the SSL authentication page does not come up correctly

Release E.08.42

Problems Resolved in Release E.08.42

- **ACL (PR_1000023119)** — An invalid VLAN ACL will remain in the configuration.
- **CLI (PR_1000002138)** — Incorrect message displayed in the CLI **aaa port-access** command.
- **CLI (PR_1000022443)** — Within the CLI Menu context, user unable to set a port as an untagged member of a VLAN.
- **CLI (PR_1000085477)** — The word "Specify" in 'ip route' is misspelled.
- **CLI (PR_1000085495)** — The word "unavailability" is spelled wrong for the "radius server dead-time" description within the CLI.
- **Crash (PR_1000021489)** — The switch may crash with a message similar to:
Software exception at i2cdriver.c:75 in 'swInitTask'
- **Crash (PR_1000021567)** — The switch may crash with a message similar to:
Software exception @ ipaddrmgrSCtrl.c:565
- **Crash (PR_1000022106)** — The switch may crash with a message similar to:
Exception hit in alphaSLaveLearn.c:1534
- **Crash (PR_1000022814)** — The switch may crash with a message similar to:
Software exception at alpha_chassis_slot_sm.c:563 -- in 'eChassMgr',
task ID = 0
- **Crash (PR_1000086916)** — The switch may crash with a message similar to:
Software exception at if_ether.c:693 -- in 'tNetTask', task ID =
0x196d9b0 -> ASSERT: failed
- **Crash (PR_1000087055)** — The switch may crash with a message similar to:
Software exception at ssh_utils.c:973 -- 'mftTask'
- **Hang (PR_1000006985)** — The switch management may hang due to a memory corruption.
- **Security (PR_1000021329)** — Within the Web UI, the "Address Limit" value was always displayed as **4** for a learn mode of **Limited**.

- **Security (PR_1000021732)** — A configured IP Authorized Manager will fail following a reboot.
- **Security (PR_1000085928)** — The **show port-access authenticator 1** CLI command shows all port-access configured, but should show information for specified ports only.
- **SFlow (PR_1000021518)** — SFlow returns **sysUpTime** in 100ths of seconds, rather than 1000ths.
- **SFlow (PR_1000021776)** — The SFlow **sysUpTime** is not in sync with the switch **sysUpTime**.
- **SSH (PR_1000087086)** — The switch does not report an error message after rejecting a public key file with more than 10 keys.
- **Web UI (PR_89899)** — The Web UI port statistic counters are overwriting one another.
- **Web UI (PR_1000021867)** — VLAN context within Web UI may not allow untagged ports to be added to a VLAN.
- **Web UI (PR_1000085927)** — The Help text is not available from the authorized manager screen.

Release E.08.30

Problems Resolved in Release E.08.30

- **Auto-TFTP (PR_20802)** — Configuring the **auto-tftp** command with an incorrect IP address for the TFTP server can cause the switch to reboot every 5-15 minutes.
- **CLI (PR_1000000769)** — **update** and **upgrade-software** should not be normal CLI commands.
- **CLI (PR_1000001384)** — Misspelling in CLI Help screen for the **static-mac** command.
- **CLI (PR_1000001897)** — Help screen for **logging** command does not mention 'Major' logs.
- **CLI (PR_1000001628)** — The CLI may incorrectly reject the adding of ports to a VLAN, and respond with an `Inconsistent Value` error message.
- **CLI (PR_1000005912)** — The slot/module identifications within the CLI are incorrect and show slots numerically, rather than alphabetically.
- **CLI (PR_1000097427)** — Extraneous columns in the **show authentication** command.
- **Config (PR_1000020659)** — HP ProCurve 24 port 10/100 POE module identified with part number J8151A rather than with the appropriate part number, J8161A.

- **CDP (PR_1000004099)** — CDP advertises the switch as being only a router when routing is enabled. Changes made so that the switch now advertises itself as both a router and a switch when routing is enabled.
- **Crash (PR_1000007319)** — The switch may crash with a message similar to:

```
Software exception in ISR at dmaRx.c:830 -> No resources available
```
- **Enhancement (PR_1000020429)** — Added the **show chassis-version** CLI command.
- **Help (PR_1000000560)** — Within the CLI, the Port Security Help file does not reference the learn mode "Limited-Continuous".
- **Help (PR_1000013464)** — The **show mac-address** Help text is too long and exceeds the 80 character limitation.
- **Monitoring Port (PR_1000012218)** — Port monitoring a mesh port can cause mesh packets to be transmitted out the wrong port.
- **PIM (PR_1000004117)** — “Expiry Time” changed to “Expire Time” following the **show ip PIM neighbor lists** command within the CLI.
- **PIM (PR_1000004818)** — PIM may not go into a forwarding state when a new neighbor that doesn’t support state refresh connects.
- **PIM (PR_1000005019)** — PIM will forward state refresh that is not from the assert winner.
- **PoE (PR_1000019004)** — Extraneous `Power Denied` messages have been eliminated when EPS power has been lost.
- **Port Security (PR_1000013075)** — A port with Port Security enabled may learn addresses beyond its configured limit, and require a reboot to clear.
- **SSH (PR_1000003227)** — Need a special case for the SSH protocol-version configuration parameter to provide compatibility when back-revving to pre-E.08.xx code.
- **SSH (PR_1000004993)** — Memory corruption in SSH function.
- **SSL (PR_1000012823)** — SSL code modifications.
- **VLANs (PR_1000006670)** — Protocol VLANs configured in the CLI may not show up in the VLAN menu config screen and report that the member ports are orphaned.

Release E.08.07

Problems Resolved in Release E.08.07

- **ACL (PR_100006679)** — The configured ACL “Range” parameter may not function properly after a reboot.
- **CLI (PR_82086)** — The command **show mac <mac-address>** does not function.
- **CLI (PR_100000560)** — The port security “Help” screen has been updated to include learn mode "Limited-Continuous".
- **CLI (PR_100004025)** — After the switch is up for approximately 49 days, the “Up Time” from the **show system** command will not be accurate.
- **CLI (PR_1000095690)** — Error message improved when a user enters an Interface Name that is too long.
- **Crash (PR_100004216)** — The switch may crash with a message similar to:
Driver corrupted - Slave Bus Error: dmaTxPollPackets.c:724
- **Crash (PR_100005210)** — The switch may crash with a message similar to:
Exception in ISR at dmaRx.c:830
- **Crash (PR_100005829)** — The switch may crash with a message similar to:
Software exception at alphaHwRateLimits.c:84
- **Crash (PR_100005902)** — In cases where a heartbeat failure may occur, the switch will provide more specific and informative crash information.
- **Crash (PR_100006392)** — The switch may crash with a message similar to:
Software exception at pmgr_util.c:1500 -- in 'mLACPctrl'
- **Crash (PR_100006427)** — The switch may crash with a message similar to:
Software exception at lacp_util.c:1723 - in 'mLACPctrl'
- **Crash (PR_100006833)** — The switch may crash with a message similar to:
Slave crash at AlphaSlaveLearn.c:1576
- **Crash (PR_100006967)** — The switch may crash with a message similar to:
Exception at sw_malloc.c:141 Out of Memory - SSH
- **Crash (PR_100006988)** — The switch may crash with a message similar to:
Slave crash in ISR @ dmaRx.c:838

- **Crash (PR_1000007148)** — The switch may crash with a message similar to:
Bus error: HW Addr=0x7c7343b2 IP=0x002c3e54 Task='mIpAdMCtrl'
- **Crash (PR_1000007221)** — The switch may crash with a message similar to:
Slave crash in mPmSlvCtrl at nc:phy.c:594
- **Crash (PR_1000007227)** — The switch may crash with a message similar to:
Software exception at alloc_free.c:485 -- in 'tDevPollTx', task ID = 0x17a3c58'
- **Crash (PR_1000011477)** — The switch may crash with a message similar to:
Bus error: HW Addr=0x06836252 IP=0x00444f14 Task='mHttpCtrl' Task ID=0x11257f8
- **Crash (PR_1000011517)** — The switch may crash with a message similar to:
Slave crash in ISR at dmaRx.c:838
- **Crash (PR_1000013156)** — Addressed master crash problem in memory system.
- **IP Helper (PR_1000004029)** — Number of IP Helper addresses increased to 256 on the 5300. See [“Release E.08.42 Enhancements” on page 15](#).
- **MAC Authentication (PR_1000019250)** — The switch will crash if a MAC Authentication configured port is then configured for Trunking.
- **Meshing (PR_1000012101)** — A meshed switch may cause a broadcast loop on the network after a new module is inserted.
- **MDI/MDI-X (PR_1000001452)** - MDI/MDIX mode not described in help.
- **Port Monitoring (PR_1000012218)** — When port monitoring is configured, meshing protocol packets may be sent out the wrong meshed ports.
- **Port Security (PR_10000001437)** — Eavesdrop prevention. See [“Release E.08.42 Enhancements” on page 15](#).
- **RMON (PR_1000011690)** — When RMON thresholds in the switch are exceeded, no trap is generated.
- **STP (PR_1000005371)** — Unable to set spanning tree "hello-time" via CLI in STP mode.
- **VLAN (PR_1000006670)** — If a port resides only in a protocol VLAN, the menu will not allow the user to save changes from the VLAN configuration window within the menu.
- **Web UI (PR_1000000256)** — The Web UI may display a module as a "humpback module"
- **Web UI (PR_1000007144)** — The VLAN Configuration help link is not available within the Web UI.

Release E.08.03

Problems Resolved in Release E.08.03

- **Crash (PR_1000007148)** — The switch may crash with a message similar to:

```
Bus error: HW Addr=0x7c7343b2 IP=0x002c3e54 Task='mIpAdMCtrl'.
```
- **Crash (PR_1000007227)** — The switch may crash with a message similar to:

```
Software exception at alloc_free.c:485 -- in 'tDevPollTx', task ID = 0x17a3.
```

Release E.08.01

Problems Resolved in Release E.08.01

- **ACL (PR_94945)** — 5300 allows duplicate ACEs (Access Control Entries) to be entered within an ACL.
- **CERT (PR_96648)** — Applied OpenSSH patches to switch for CERT Advisory CA-2003-24 related problems.
- **CLI (PR_81948)** — There are currently two “enable” commands present within the “Interface Config” context; one is to enable the port, the other is to enter manager context. The “enable” command is now filtered when not in the Operator Context within CLI.
- **CLI (PR_82475)** — The help text displayed for source-route is incorrect when auto-extend is applied to the command “IP”.
- **CLI (PR_90302)** — The help text within CLI for the “Interfaces” command is grammatically incorrect.
- **Crash (PR_88831)** — The switch may crash with a message similar to:

```
02/27/03 15:48:09 Bus error: HW Addr=0x02000000 IP=0x0013866c  
Task='mSess2' Task ID=0x1654700fp: 0x01654a40 sp:0x016533a0  
lr:0x0013874
```
- **Crash (PR_1000002979)** — The switch may crash with a message similar to:

```
Software exception at rstp_port_role_sm.c:44 -- in 'mRstpCtrl', task  
ID = 0x1379a48-> ASSERT: failed
```
- **Crash (PR_1000003288)** — The 10/100 Module (J4820A) under conditions of heavy port toggling may crash with a message similar to:

```
Software exception @ dmaRx.c: 237.
```

- **Crash (PR_89847)** — The switch may crash with a message similar to:

```
Software exception in ISR at alpha_hs_int.c:547  
-> NCI_INTERRUPT_ERROR. Slot 3 NCI_IntReg=0x4000
```
- **Enhancement (PR_81844)** — Enhancement to improve “Debug HELP” information provided via CLI.
- **IP (PR_100000728)** — The switch does not notify the IP Address Manager when an RSTP topology change occurs.
- **Logging (PR_82509)** — The switch will reboot when an invalid IP address is assigned to the logging feature, while “Logging” is turned off.
- **Meshing (PR_82502)** — Improved meshing performance during network conditions when there are large volumes of Port “learns” and “moves”.
- **Routing (PR_93205)** — The switch incorrectly allows for a configuration in which a static route can be configured as 127.x.x.x.
- **RSTP (PR_100001612)** — A port takes approximately 30 seconds to go into the Forwarding state.
- **Security (PR_90899)** — After configuring a port to be "learn-mode configured", the "show port security" output within the CLI lists "Static" as the learn mode, rather than “Configured”, as it should be.
- **Security (PR_91855)** — The switch may fail to forward authentication requests to a RADIUS server when an unauthorized VID is configured and “Port-Security” is set to 802.1x.
- **Syslog (PR_91123)** — The switch may fail to send messages to a configured Syslog server.
- **VLAN (PR_92426)** — Unable to delete a VLAN by name if the name is numeric within the CLI.
- **Web Agent (PR_82157)** — There is a missing graphic in the upper left hand corner of the “First time installation” pop up window.
- **Web UI (PR_90858)** — Unable to clear the “VLAN Name” text field after 12 characters are entered within the Web UI.
- **XRMON (PR_98199)** — The “BroadcastPackets” counters for MIB object 1.3.6.1.2.1.16.1.1.1.6 on the 53xx series switch are incorrect.

Release E.07.40

Problems Resolved in Release E.07.40

- **Agent Hang (PR_97705)** — Agent processes (Ping, TELNET, SNMP, etc.) may stop functioning.

- **ARP (PR_92421/93008/97993)** — Default ARP aging time is 1,200 minutes when it should be 20 minutes. User-configured ARP aging times do work correctly.

- **Crash (PR_95293)** — The switch may crash with a message similar to:

```
Bus error: HW Addr=0x08000001 IP=0x00267cc4 Task='mIpAdMCtrl' Task
ID=0x150520 fp: 0x00000020 ip:0x01505100 lr:0x00267ca0
```

This crash has been associated with traffic patterns generated by the Blaster and Welchia worms.

- **Crash (PR_96236)** — The switch may crash with a message similar to:

```
"Software exception at ipaddrmgrSCtrl.c:2108 -- in 'mIpAdMUpCt'"
```

- **Crash (PR_97048/97083)** — The switch may crash with a message similar to:

```
Bus error: HW Addr=0x1bee13a8 IP=0x00267b68 Task='mIpAdMCtrl' Task
ID=0x14c2fe0 fp: 0x00000028 sp:0x014c2e98 lr:0x00267b58. In QA code:
Software exception at route.c:296. Attempt to free a null route.
```

- **Hang (PR_97031)** — Switch may hang (routing and console) due to infinite loop issue in ACL code.

- **Routing (PR_98494/97301)** — The switch may exhibit slower-than-normal routing performance due to route entries not being aged properly.

- **Routing (PR_98847)** — Under some conditions when there are more than 32 VLANs and IGMP enabled, the switch may not route.

- **X-modem (PR_95748)** — When trying to download a zero-length OS file to the switch, the switch may crash with a message similar to:

```
Software exception at fileTransfer.c:552 -- in 'mftTask', task ID =
0x1241ca8 -> Could not open file.
```

Release E.07.37

Problems Resolved in Release E.07.37

- **Crash (PR_90217)** — The switch may crash under high stress in a very large mesh topology with a message similar to:

```
Bus error: HW Addr=0x08040010 IP=0x002c8b48 Task='eDrvPoll' Task ID=0x177fdb0 fp: 0x01682e38 sp:0x0177f9e8 lr:0x002c8ae0.
```
- **Crash (PR_90374)** — The J4878A mini-GBIC module may cause the switch to crash with a message similar to:

```
"Slot B SubSystem 0 went down: 01/01/90 13:05:41 Software exception at dmaRx.c:211 -- in 'tDevPollRx', task ID = 0x40808b78 -> FAULTY INK PARTNER CONNECTED ON SLOT".
```
- **Crash (PR_94852)** — The switch may crash when in a mesh configuration with a message similar to:

```
Bus error: HW Addr=0xdc37e837 IP=0x002c944c Task='eDrvPoll' Task ID=0x173fdb0 fp: 0x01054468 sp:0x0173fa50 lr:0x002c93c0.
```
- **Crash (PR_95284)** — If a user enters an invalid MAC address during the Port Security configuration within the CLI, the switch may crash with a message similar to:

```
Software exception at exception.c:345 -- in 'mSess1', task ID = 0x141ae70 -> Memory system error at 0x131b5a0 - memPartFree
```
- **Meshing (PR_96007)** — If a mesh link is broken then shortly followed by the learning of new MAC addresses, the switch may exhibit problems such as bus errors and/or improper communication with other mesh switches.
- **SNMP (PR_96999)** — When the switch is reset (or power-cycled) after configuring an SNMP Community Name with “Operator/Restricted” Rights, it will still allow SNMP sets (writes) to MIB objects.

Release E.07.34

Problems Resolved in Release E.07.34

- **Agent Hang (PR_92802)** — The switch may become unresponsive or hang due to UDP port 1024 broadcast packets never being freed, after the TIMEP and SNTP clients are disabled on the switch.
- **Crash (PR_92659)** — Software exception at memrpt.c:1153 -- in 'mInstCtrl', task ID = 0x1455a30

- **IPv6 (PR_93171)** — The switch does not forward IPv6 Router Solicitation/Advertisements when IGMP is enabled.
- **Routing/Agent Performance (PR_95009)** — Routing performance may be degraded due to the aging of host route entries. In this scenario, traffic will be routed through the switch software, thereby resulting in lower performance of routing and agent access (TELNET, SNMP, ping, etc.) operations.
- **VLAN (PR_92466)** — The switch may experience a Bus error related to 802.1X/unauthorized VLAN. The Bus error is similar to:

```
Bus error: HW Addr=0x3861000c IP=0x002df470 Task='mAdMgrCtrl' Task  
ID=0x16e616 0 fp: 0x006a090c sp:0x016e5df0 lr:0x0021d6d8
```

Release E.07.30

Problems Resolved in Release E.07.30

- **Agent Performance (PR_81861)** — The switch may get into a state where end nodes and other network devices cannot contact (ping, telnet, SNMP, etc.) the switch's agent.
- **Routing (PR_90802/91236)** — The switch may route packets out the wrong port due to a mismatch between the source and destination MAC addresses.

Release E.07.29

Problems Resolved in Release E.07.29

- **ACL (No PR)** — The switch allows a user to execute a “no access-list” command for a non-existent ACE without responding with an appropriate error message.
- **ACL (PR_90250)** — Packets that match a “denied” ACL entry may cause the switch’s CPU to run at full utilization.
- **ACL (PR_90415)** — On ACL entries such as “permit/deny tcp any any” the switch will incorrectly permit/deny UDP traffic. The same is inversely true for ACL entries such as “permit/deny udp any any” resulting in TCP traffic being permitted/denied.
- **ACL Performance (PR_90366)** — Addressed potential performance issues of cached TCP and UDP ACL entries.
- **Config (PR_88753)** — A 1000-FDX port setting in the switch config file is not processed properly, resulting in Gigabit-SX ports remaining in an “auto” port configuration. This is most often seen when reloading or TFTP’ing a config file to the switch.

Software Fixes in Release E.06.xx through E.09.xx

Release E.07.27

- **Port-sec (PR_88612)** — Static MAC addresses are set up under port security with learn-mode “configure specific” to allow those MAC addresses to communicate through the switch. If one of those MAC addresses is removed via the Web interface of the switch and then re-entered, the owner of that MAC address cannot communicate through the switch.
- **Routing (PR_90554)** — Cached routing information was only updated by IP routable datagrams, and was not being updated by Layer-2 traffic such as ARP.
- **Self Test (PR_90777)** — A self test error may occur when a Gigabit-SX, or LX mini-GBIC module is inserted into the switch while powered on.
- **Spanning Tree (PR_90412)** — Enhancements made to 802.1w operation to address version 3 BPDU communication issues.

Release E.07.27

Problems Resolved in Release E.07.27

- **Enhancement (PR_90365)** — Modifications have been made to the switch meshing code to allow limited mesh interoperability between E.07.x and pre-E.07.x software to allow easier upgrades of all switches in a mesh. (Current implementation does not allow switches running pre-E.07.x software to participate with meshed switches running E.07.x or greater.)
- **IGMP (PR_82491)** — A Group-Specific Query (GSQ) timeout is currently .2 to .6 seconds, rather than the specified default of 1 second.
- **IGMP (PR_90376)** — In some cases, the switch would display “0.0.0.0” for the output of the CLI command “show ip igmp”.
- **Meshing (PR_88689)** — A 12-switch mesh may cause the switch to temporarily run out of packet buffers.
- **Telnet (PR_82522)** — Switch TELNET connections were not closed properly resulting in new TELNET sessions being established which could result in the switch reaching its maximum number (3) of TELNET sessions.
- **Web-Browser Interface (PR_82530)** — A client using Sun java 1.3.X or 1.4.X to access the Web-Browser Interface of the switch, may cause the switch's CPU utilization to increase causing agent processes (such as console, telnet, STP, ping, etc.) to stop functioning.

Release E.07.22

Problems Resolved in Release E.07.22

- **Meshing/Packet Buffer Depletion (PR_88694)** — Certain mesh topologies may cause packet buffers to be depleted on the switch. In this state the switch will generate an "Out of pkt buffers" Event Log message.
- **OSPF (PR_88718)** — In topologies where the switch has redundant routes (via a directly connected link and via an OSPF learned route) to the same network, the switch does not learn the alternate route via OSPF when the directly connected link goes down.
- **Port Hang (Packet Not Forwarded) (PR_88613)** — Under certain traffic load conditions, ports that are toggling on the mini-GBIC module (J4878A) may stop transmitting packets.

Release E.07.21

Problems Resolved in Release E.07.21

- **ARP (PR_5185)** — ARP has been enhanced to have a configurable timeout value, beyond the current default of 20 minutes.
- **CDP (PR_5054)** — CDP multicasts are not passed when CDP is disabled on the switch.
- **CLI (PR_5053)** — Setting the telnet inactivity timeout from the CLI does not indicate a reboot is necessary for changes to take effect.
- **CLI (PR_4984)** — The definition of default gateway following the “ip?” in the CLI is stated as “Add/delete default route to/from routing tale.”, which is incorrect. Clarified help text for 'ip default-gateway' CLI command to state that this parameter is only used if routing is not enabled on the switch.
- **CLI (PR_5242)** — Information in the command “show boot-history” is not in the order claimed (most recent first).
- **Crash (PR_4621)** — The switch may crash with a message similar to:

```
NMI occurred: IP=0x00317d9c MSR:0x0000b000 LR:0x00013b88  
Task='eDrvPollRx' Task ID=0x1708f20 cr: 0x22000080 sp:0x01708e60 xer:
```
- **Crash (PR_5745)** — The switch may crash with a message similar to:

```
-> Divide by Zero Error: IP=0x801400c0 Task='sal_dpc_hi'  
Task ID=0x80616690 fp:0x00000000 sp:0x80616600 ra:0x800140060  
sr:0x1000af01
```
- **Crash (PR_5635)** — The switch may crash with a message similar to:

```
-> Assertion failed:0, file drvmem.c, line 167
```

- **Crash (PR_5679)** — The switch may crash with a message similar to:

```
-> Bus error: HW Addr=0x00000000 IP=0x00000000 Task='mNSR' Task
    ID=0x1725148 fp: 0x0000c4b0 sp:0x012e9780 lr:0x00330674
```

- **Crash (PR_5712)** — The switch may crash with a message similar to:

```
-> TLB Miss: Virtual Addr=0x00000000 IP=0x8002432c Task='tSmeDebug'
```

- **Crash (PR_5725)** — The switch may crash with a message similar to:

```
-> Assertion failed: nt, file dpc.c, line 169
```

- **Crash (PR_5846)** — WhatsUpGold telnet scan can cause switch to run out of memory and crash with error message similar to:

```
-> malloc_else_fatal() ran out of memory
```

- **Crash (PR_5955)** — The switch may crash with a message similar to:

```
Software exception at alpha_chassis_slot_sm.c:506
```

- **Crash (PR_4986)** — The switch may crash with a message similar to:

```
-> Bus error: HW Addr=0x00ffffff IP=0x332c4530 Task='mSess1' Task
    ID=0x16a62f0 fp: 0x2e2e2e29 sp:0x016a61a0 lr:0x0010f028
```

This crash can occur when eight transceiver modules are installed and the command “interface all” is typed in the configuration context.

- **Crash (PR_5418)** — The switch may crash with a message similar to:

```
-> Software exception at rtsock.c:459 -- in 'tNetTask', task ID =
    0x1a225b0
```

- **Crash (PR_5635)** — The switch may crash with a message similar to:

```
-> Assertion failed:0, file drvmem.c, line 167
```

- **Crash (PR_5341)** — All three of the following steps must occur before the crash is exhibited:

1. A 1000-T port (without a link) is configured as a mirror destination port.
2. Another blade/port traffic is mirrored to that destination port.
3. Mirror destination port/blade will crash or hang after connecting, then disconnecting a 100T link with a message similar to:

```
Software exception at nc_fd_fi.c:693 - in 'mPmSlvCtrl'task ID =
    0x405e9cc8 -> netchip_FIOutboundFlush: Timeout reached!
```

- **Crash (PR_5236)** — The switch may crash with a message similar to:

```
-> AlphaSlaveAddrmgr.p 1021 this time
```

This crash can occur when a module is hot-swapped after downloading new software to the switch without rebooting.

- **Date/Time (PR_5264)** — The timezone can cause the date to wrap if the timezone is set to a valid, but negative value (like -720) without previously configuring the switch's time. The switch may report an invalid year (i.e. 2126).
- **DHCP** — If a client moves without first releasing its IP address, it will not receive a NAK, resulting in the client's inability to get an IP address at its new location.
- **Event Log (PR_5154)** — When a module fails to download, the severity code is INFO instead of WARNING.
- **Fault Finder/CLI (PR_4696)** — Setting fault finder sensitivity always resets action configuration to 'warn', when it should remain 'warn and disable'.
- **FFI/Port Counters (PR_5429)** — No errors are reported by the FFI or port counters when linking at 100 HDX on a Gigabit port with a duplex mismatch.
- **FFI/Port counters (PR_5280)** — FFI and port counters don't have consistent values.
- **Filter (PR_5132)** — Source port Filter on Dyn1 LACP trunk creates Multicast Filter entry that cannot be deleted.
- **Filter (PR_4833)** — Creating a source port filter for a port, moving the port into a trunk, and then reloading the saved TFTP configuration file results in a corrupted download file error.
- **Flow Control (PR_5102)** — Setting a port "X1" in 10-HDX, then attempting to turn on flow control returns an error similar to: "Error setting value fl for port X2". The error should read "X1".
- **GVRP (PR_5284)** — Port does not register VLAN even though advertisements are received.
- **Hot-swap (PR_4900)** — Hot-swapping a transceiver logs a message requesting to reboot the switch in order to enable the port, which is not necessary.
- **IGMP (PR_5736)** — If IGMP is turned on for multiple VLANs, and is then turned off for a single VLAN, the Data-Driven Mcast filters for that VLAN are not flushed.
- **IP (PR_5408)** — IP is causing the driver to apply source port filters incorrectly to non-routed packets.
- **IRDP (PR_5923)** — When running the 'rdisc' router discovery tool under Redhat 8.0 or 7.3, Linux reports "ICMP Router Advertise from <IP>: Too short 16 40" when a IRDP packet is received.

- **LACP/Port Security (PR_5059)** — With LACP on, the command “port-sec al l c action send-alarm” fails with a message similar to “learn-mode: Inconsistent value”.
- **Link Toggle Corruption (PR_5527)** — Addressed issue whereby toggling ports with active, bi-directional traffic could result in corrupted packets within the system.
- **Link-up Polling Interval (PR_5000)** — A delay of up to 1.7 seconds between plugging in a cable (linkbeat established) and traffic being forwarded to and from that port may cause problems with some time sensitive applications. For example, AppleTalk dynamic address negotiation can be affected, resulting in multiple devices using the same AppleTalk address.
- **Menu (PR_5346)** — The one-line help text below the password entry field, displays the message "Enter up to 16 characters (case sensitive), or just press <Enter> to quit". It should read "...sensitive..".
- **Meshing (PR_4969)** — Traffic on oversubscribed mesh links will migrate to other mesh links too slowly.
- **Meshing (PR_4980)** — Meshing does not maintain priority on encapsulated packets that are sent out non-mesh ports.
- **Multicast Filters (PR_4741)** — Any static multicast filters configured once the limit has been reached, would appear in the output of the “show filter” CLI command with only partial information. Switch now correctly returns error message “Unable to add filter” once limit has been reached.
- **OSPF (PR_88611)** — When configured for authentication-key type “simple passwords”, the switch does not include the password in OSPF packets.
- **Port Configuration (PR_5444)** — When interchanging 10/100-TX modules J4862A and J4862B, the port configuration of the module originally installed in the switch is lost.
- **Port counters (PR_5013)** — Hardware port counter filters for dot1dTpPortInDiscards not implemented.
- **Port counters (PR_5171)** — The “Total RX Error” counter is incorrect when the port has heavy 10HDx traffic.
- **Port counters (PR_5204)** — The Runt Rx counter in the detail port counter screen, does not increment when there are fragments.
- **Port counters (PR_5400)** — The 64-bit counter for the highest numbered port on a given module, does not update properly.
- **RADIUS (PR_4886)** — Pressing the tab key gives error message similar to “BAD CHARACTER IN ttyio_line: 0x9n” when entering a username for the radius prompt.
- **RSTP (PR_5449)** — There is a delay in the switch relearning MAC addresses when an RSTP port transitions from Blocking to Forwarding.

- **Self Test (PR_5113)** — There are intermittent port failures reported on HP ProCurve switch xl 100/1000-T modules (J4821A) while performing a packet self test, which was due to the packet test not seeing the very first packet.
- **SNMP (PR_5349)** — The switch does not send SNMP packets larger than 484 bytes.
- **SNTP/TIMEP (PR_5018)** — SNTP still runs when TIMEP is enabled.
- **Source Port Filters (PR_4669)** — Source port filters for illegal ports and trunk port members cannot be deleted from the CLI.
- **Source Port Filters (PR_4719)** — The switch does not automatically remove a source port filter for a trunk that has been deleted.
- **System Information (PR_5169)** — Up Time displayed is not correct.
- **TACACS (PR_5226)** — During TACACS Authentication the TACACS Server's IP address is shown on the switch's 'splash screen'.
- **TCP (PR_5227)** — TCP port 1506 is always open. Fix is to close TCP port 1506.
- **TFTP (PR_5034)** — Trying to TFTP a config onto the switch causes the switch to not complete its reload process. The switch hangs and does not come up.
- **VLANs (PR_4405)** — The VIDs of deleted VLANs are not removed from the switch's VLAN table, causing the switch to not allow new VLANs to be created (once the VID table is full).
- **Web (PR_5455)** — Bad URL was being mirrored back to the user following Nessus script attack test.
- **Web-Browser Interface (PR_5199)** — Having a ProCurve switch 4100gl series as a commander, and a ProCurve switch 4000m as a member of the stack, the stack commander was not checking security when doing passthrough.
- **Web-Browser Interface (PR_5052)** — The CLI does not disable the web-browser interface.
- **Web-Browser Interface (PR_5055)** — Missing firmware/ROM information in Web UI.
- **Web-Browser Interface (PR_5158)** — When clicking on the Web UI System Info “Apply Changes” button, a character appears under the “VLAN Configuration” tab.
- **Web-Browser Interface (PR_4976)** — Mis-spelled word on the product registration screen of the WEB UI. The phrase “...does not appears above...” is now “...does not appear above...”
- **Web-Browser Interface (PR_4996)** — When using a ProCurve Switch 4108 as a commander switch in the stack, a ProCurve Switch 2424M is not shown in the device view of the stack closeup in the web UI. The message “Device view, HP2424M, not supported by firmware of commander” is present instead of the device view.

Software Fixes in Release E.06.xx through E.09.xx

Release E.06.10

- **Web-Browser Interface (PR_4904)** — When a transceiver is removed from the switch, its configuration is not cleared on the Status->port status screen of the web UI. The transceiver type will still show until a new transceiver is inserted.
- **Web-browser Interface (PR_4235)** — Web-browser port utilization label does not display the bandwidth number. Shows x% of 0Mb instead of x% of 100Mb or x% of 1Gb.
- **Web-Browser Interface (PR_4495)** — Administrator password can be used in combination with the operator username.

Release E.06.10

Problems Resolved in Release E.06.10

- **Crash (PR_5229)** — Greater than 100 hotswaps causes mesg buff crash.
- **Flow Control (PR_5215)** — Enabling Flow Control on a port does not enable Global Flow Control on the switch.
- **Security (PR_5226)** — Removed display of TACACS Server IP address during remote management logon.
- **Security (PR_5227)** — TCP Port 1506 access is closed when Telnet or Stacking is disabled.
- **Web-browser interface (PR_5052)** — Executing the CLI command “**no web-management**” does not disable access to the web-browser interface.

Release E.06.05

Problems Resolved in Release E.06.05

- **Crash (PR_5471)** — The CLI command “show ip ospf neighbor” may cause the switch to crash with a message similar to:

```
Bus error: HW Addr=0x30008fa0 IP=0x001112a4 Task='mSess1' Task
ID=0x169b110
```

Release E.06.03

Problems Resolved in Release E.06.03

- **Packets not Forwarded (PR_5201)** — A synchronization issue between the switch chassis and modules after several weeks of continuous operation can result in packets being dropped by the switch instead of being forwarded.

Release E.06.02

Problems Resolved in Release E.06.02

- **Performance (PR_5161)** — Certain high traffic levels may cause the switch to drop packets.

Release E.06.01

Problems Resolved in Release E.06.01

- **100/1000-T module (PR_4956)** — Bringing a port up and down while the port is running at or near maximum throughput may cause the module to reset.
- **802.1x (PR_4972)** — Support for 802.1x is not implemented in routing mode.
- **802.1x (PR_5043)** — When changing an 802.1x port configuration, the switch does not correctly restore default VLAN ID after disconnecting the port.
- **ARP (PR_4443)** — Switch incorrectly replied to an ARP packet with a header length ranging from 7 to 15 bytes. The switch now replies only if header length is equal to 6 bytes.
- **CDP (PR_4546)** — CDP multicast packets are not passed through the switch when CDP is disabled on the switch.
- **CLI/RIP (PR_5046)** — The CLI command 'show ip rip interface' results in the following:
"RIP interface information for 0.0.0.0, RIP is not configured on this..."
- **CoS (PR_4738)** — Cannot configure CoS on a trunk port. Also, enhancements to CoS error handling when moving ports in and out of a trunk.
- **CoS (PR_4982)** — The output of the CLI command "show qos port-priority" may show an illegal state ("no priority") for the Differentiated Services Codepoint (DSCP) policy. This problem may occur given this situation:
 1. Configure a DSCP policy on a port, and
 2. Remove module, and
 3. Reboot switch, and
 4. Delete DSCP policy, and
 5. Hot-swap module back into the switch
- **Crash (PR_4933)** — Switch may crash while hot swapping a module with a message similar to:
-> Software exception in ISR@alloc_free.c:479
- **DHCP-Relay (PR_4551)** — Configuring an IP helper address on a VLAN does not automatically turn on the DHCP-relay function.
- **Extended RMON (PR_5083)** — When Extended RMON and Routing are enabled, the switch may duplicate packets on the network.

- **LACP (PR_5000)** — Link-up polling interval: A delay of up to 1.7 seconds between plugging in a cable (linkbeat established) and traffic being forwarded to and from that port may cause problems with some time sensitive applications. For example, AppleTalk dynamic address negotiation can be affected, resulting in multiple devices using the same AppleTalk address.
- **Mini-GBIC Link Connectivity Issue (PR_4957)** — A mini-GBIC Gigabit-SX/LX link between an HP ProCurve Switch 5300XL and an HP ProCurve Routing Switch 9300 may not be established when both sides are in the default configuration (Auto).
- **Radius (PR_4886)** — If using the TAB key while entering a username for the radius prompt, the switch may display an error message similar to:

```
->BAD CHARACTER IN ttyio_line: 0x9n
```
- **RIP (PR_4757)** — After the switch reboots and if a routing loop (3 or more routers) exists in the topology, RIP may age out its own connected routes (even though the routes are still valid).
- **RIP (PR_4965)** — Static routes are redistributed into RIP. [Fix: Static routes are no longer redistributed into RIP by default, only directly connected routes are redistributed.] [Old description: Changes to RIP route redistribution such that only connected routes are redistributed, not static configured routes.
- **RIP (PR_4987)** — If multiple IP addresses are configured for a VLAN and RIP is running on one or more of the secondary addresses, the CLI command “show ip rip vlan x” will only show information about the primary IP address.
- **Routing (PR_4977)** — If a default route is not configured and the switch receives a Layer 3 packet with an unknown source address, the packet will be routed by software even though an entry for the destination exists in the hardware routing table.
- **Static Routes (PR_5040)** — Reject static routes could not be created.
- **Web Browser Interface (PR_4976)** — The product Registration screen contains a typographical error. The phrase “...does not appears above...” is now “...does not appear above...”.



© 2001, 2005 Hewlett-Packard Development
Company, LP. The information contained
herein is subject to change without notice.

January 2005
Manual Part Number
5991-2127