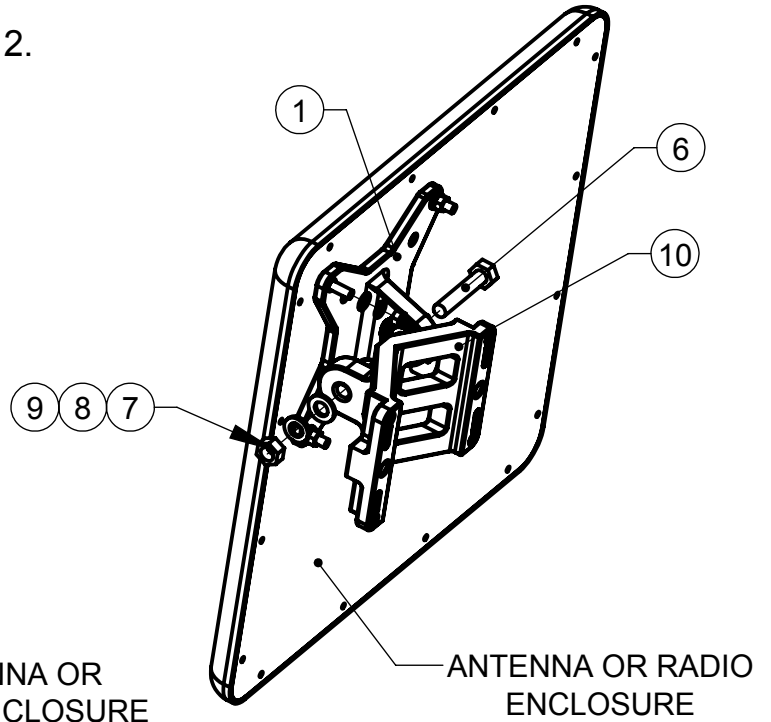
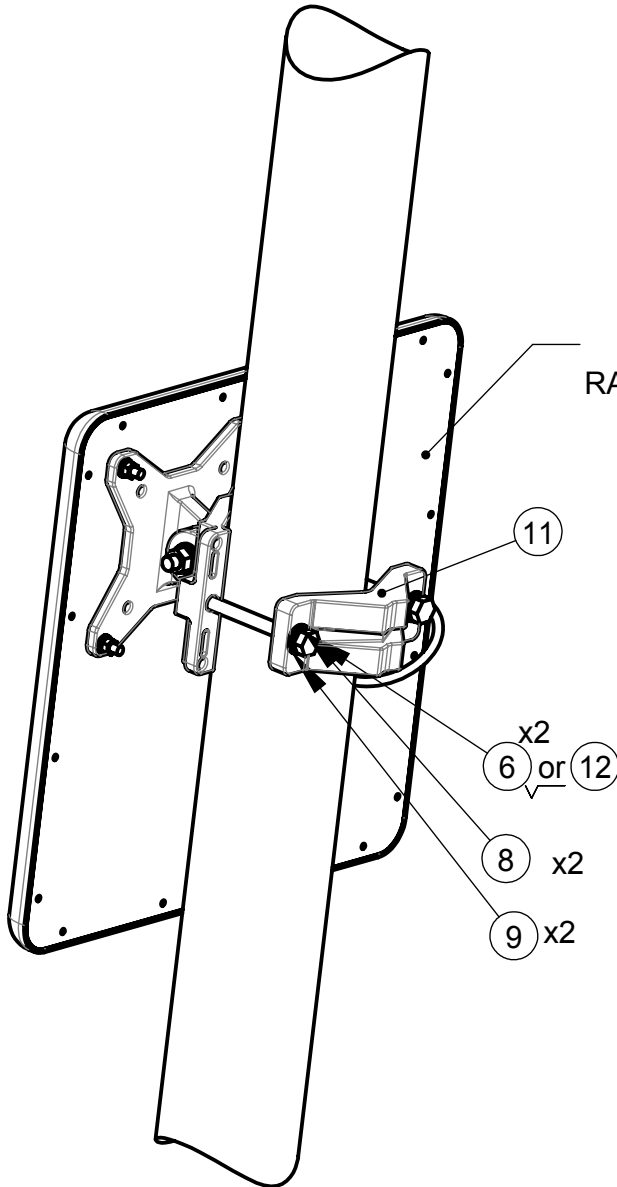


INSTALLATION ON A POLE

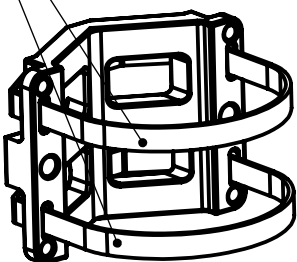
RD43485200C/B

Step 1

Connect the base bracket as shown on page 2.
Connect item 10 to item 1 (mate knurled surfaces) using item 6,7,8,9 as shown.
Note: The bolt head shall be positioned in the socket on item 1.
Use tightening torque of 24 N/m.



1/2" to 14mm
screw hose clamps
(not supplied)



STEP 2 (FOR POLES SIZES 1.75"-3")

Install the antenna to the pole using item 11, tighten the bracket using items 8,9,12 (for small pole diameter use item 6 instead of item 12). Use tightening torque of maximum 14N/m. Alternately and equally tighten the two M8 bolts up to it's defined tightening torque , in order to prevent unequal pressure on the cast Clamps

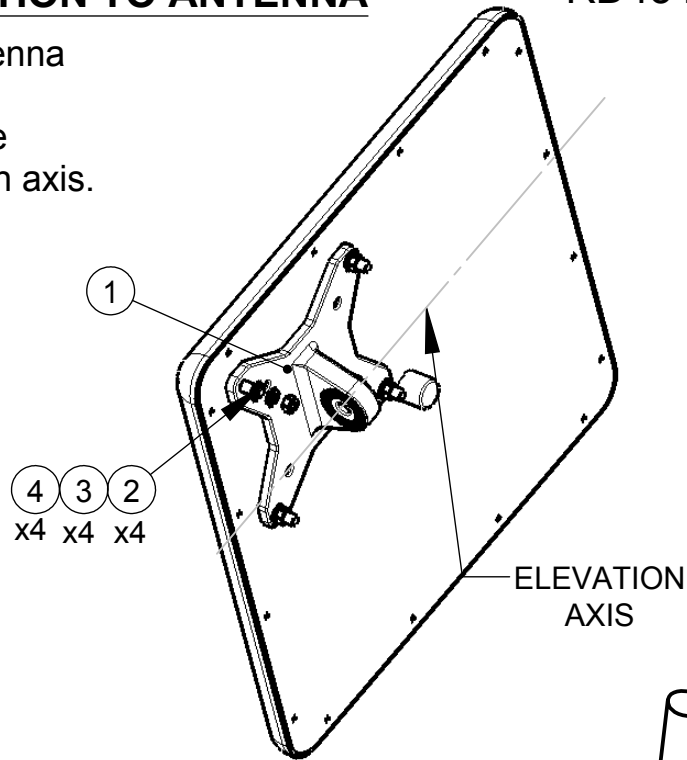
Option

For pole over 3" use two screw hose clamp (not supplied with this unit) to fasten the mounting kit bracket to the pole. items 11,6,8 and 9 are not required with this option.

BASE BRACKET INSTALLATION TO ANTENNA

RD43485200C/B

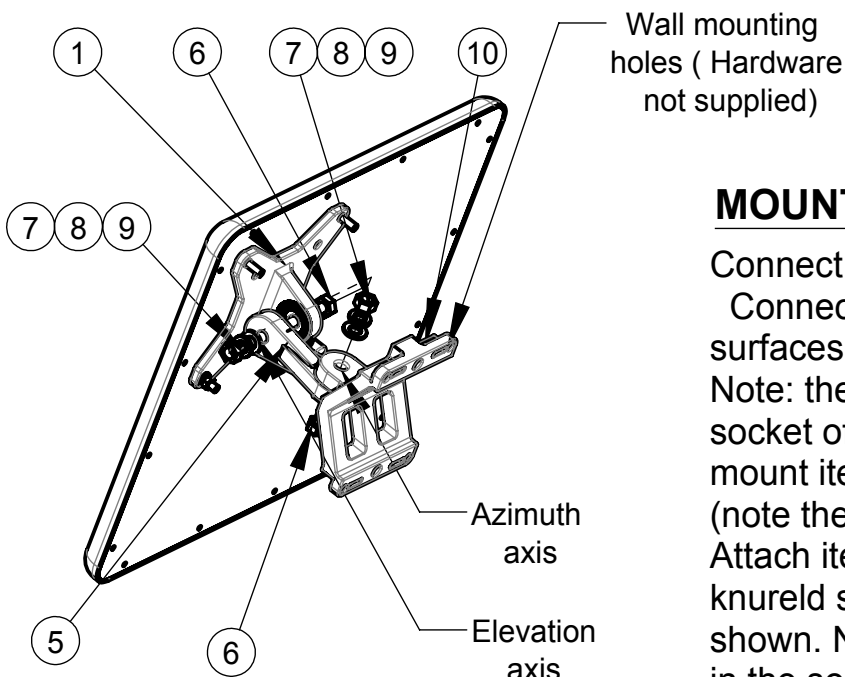
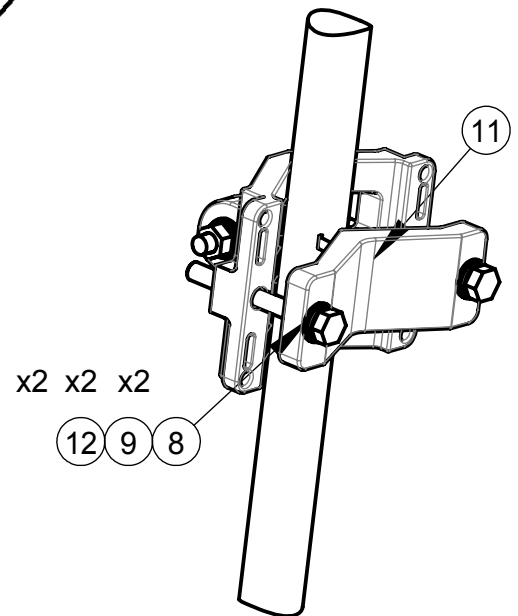
Attach item 1 to the back of the antenna using items 2,3,4 as shown. Verify that the orientation of the hole in item 1 is aligned with the elevation axis. Use tightening torque of 5.7N/m.



STEP 2 (FOR POLES SIZES 1"-1.75")

Install the antenna to the pole using item 11 as shown, tighten the bracket using items 8,9,12.

Use tightening torque of maximum 14N/m. Alternately and equally tighten the two M8 bolts up to it's defined tightening torque, in order to prevent unequal pressure on the cast Clamps



MOUNTING ON A WALL

Connect base bracket as shown on page 2

Connect item 5 to item 1 (mate the knurled surfaces) using items 6,7,8,9 as shown.

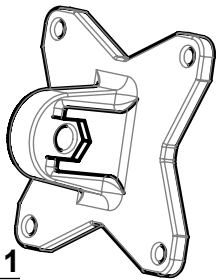
Note: the bolt head shall be positioned in the socket of item 1.

mount item 10 on the wall on the desired position. (note the azimuth axis orientation)

Attach item 5 to the arm bracket item 10 (mate the knurled surfaces) using items 6,7,8,9 as shown. Note the bolt head shall be positioned in the socket of item 5.

Use tightening torque of 24 N/m to the azimuth and elevation hardware.

INSTALLATION INSTRUCTIONS



Item: 1
Antenna/enclosure
base bracket
Qty: 1



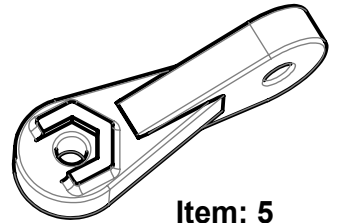
Item:2
Flat washer M5
Qty: 4



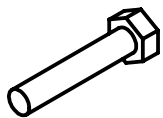
Item: 4
Nut M5
Qty: 4



Item: 3
Spring washer M5
Qty: 4



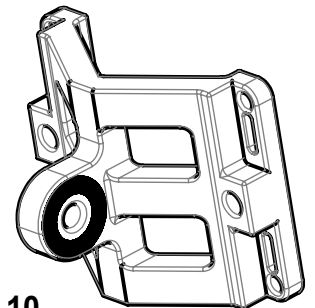
Item: 5
Arm bracket
Qty: 1



Item: 6
Bolt M8x40
Qty: 4



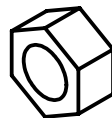
Item: 8
Washer spring M8
Qty: 4



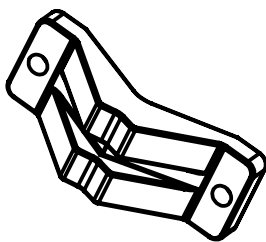
Item: 10
Wall/Poll bracket
Qty: 1



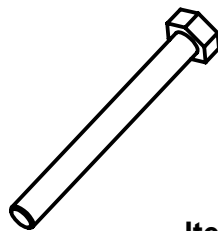
Item: 7
Washer flat M8
Qty: 4



Item: 9
Nut M8
Qty: 2



Item: 11
Clamping bracket
Qty: 1



Item: 12
Bolt M8x70
Qty: 2



Item: 13
Bolt M5x16
Qty: 4
MT-120018/A only