



Hewlett Packard
Enterprise

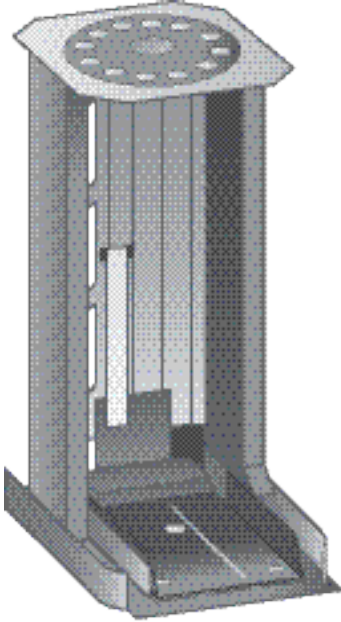
HPE StoreEver Robot repackaging instructions

Part Number: AH218-96038
Published: October 2018
Edition: 2

Robot repacking instructions

△ CAUTION: Not following this procedure can cause damage to the robot during shipment.

1 Orienting the robot

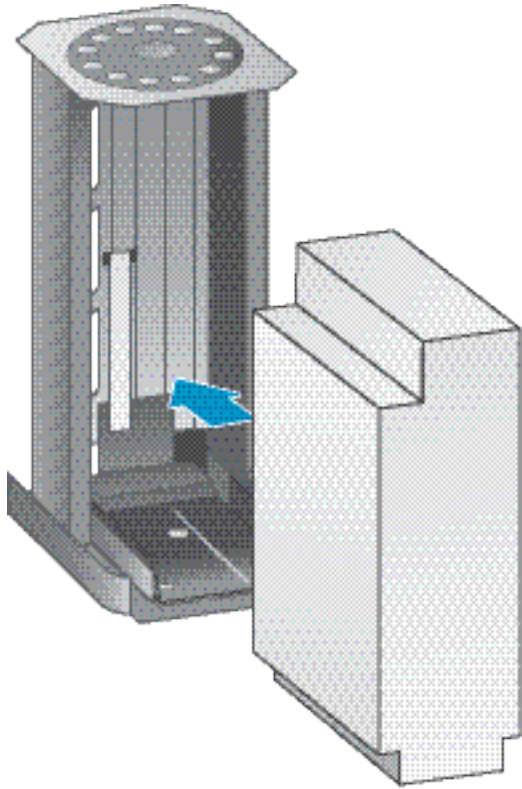


11.206

The robot rotates on its base. Ensure that the robot is properly aligned on its base. The flat cable connecting the robot and base should be tight.

The picker should be on the bottom of the robot. If the picker is in another position, gently try to move it down to the bottom. Don't force it if it is stuck.

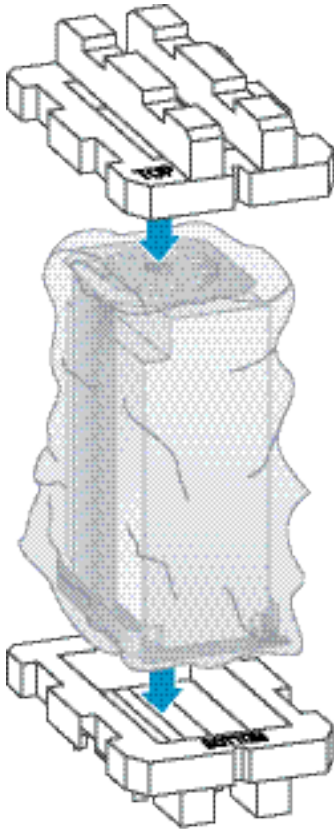
2 Inserting the cavity blocks



11327

Orient the big pink foam block so the big notch is on the upper left. Insert the block into the robot body. If the picker is NOT on the bottom, cut the foam to fit around it.

3 Attaching the end caps



11 328

Place the robot in the static safe bag.

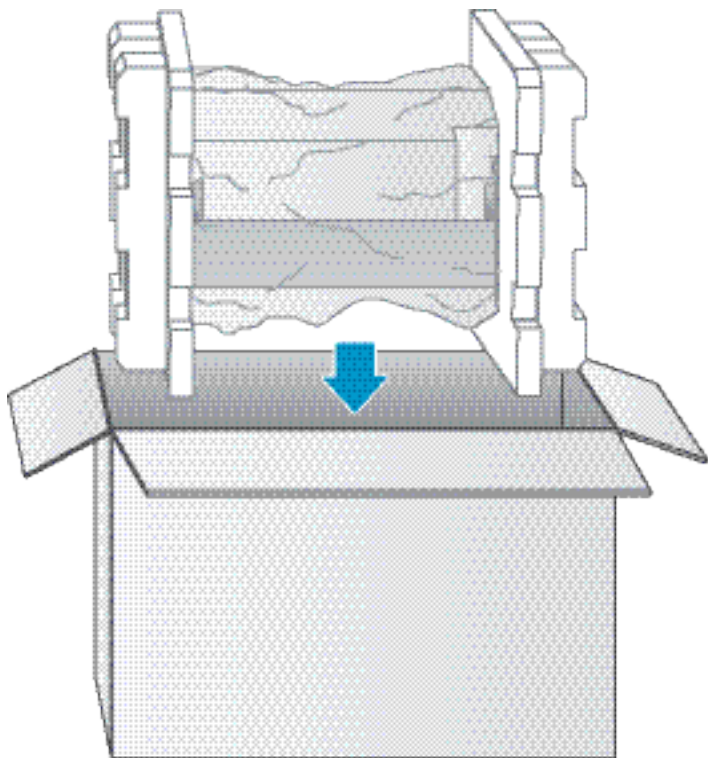
Identify the top and bottom foam end caps. If they are not labeled, the bottom end cap has a rectangular cutout and the top end cap has an irregular cutout.

Place the bottom end piece on a work surface with the rectangular opening facing up.

Place the bottom of the robot in the bottom foam piece.

Place the top foam piece on top of the robot. The rectangular portion of the cutout should be aligned with the front edge of the cavity foam block.

4 Placing the robot in the box



11 329

Place the robot in the box.