

Overview

HPE SimpliVity 2600

The HPE SimpliVity 2600 solution dramatically simplifies IT by combining infrastructure and advanced data services for virtualized workloads into a building block that delivers server, storage, and storage networking services. It also delivers a complete set of advanced functionalities that enables dramatic improvements to the efficiency, management, protection, and performance of virtualized workloads at a fraction of the cost and complexity of today's traditional infrastructure stack.

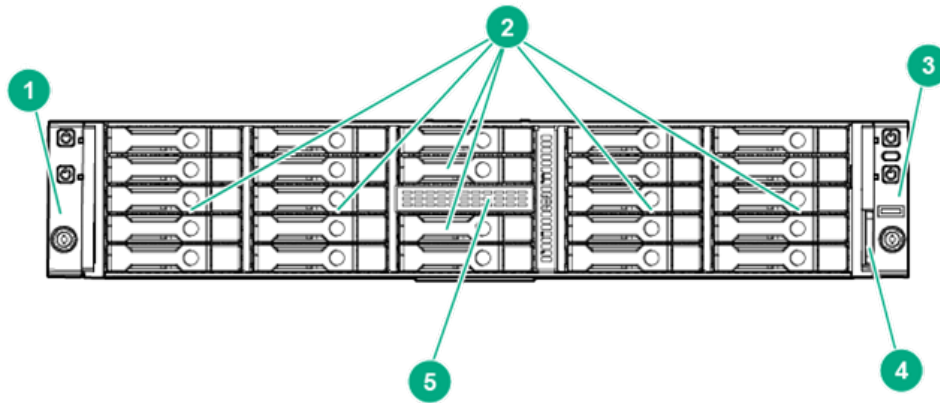


What's New

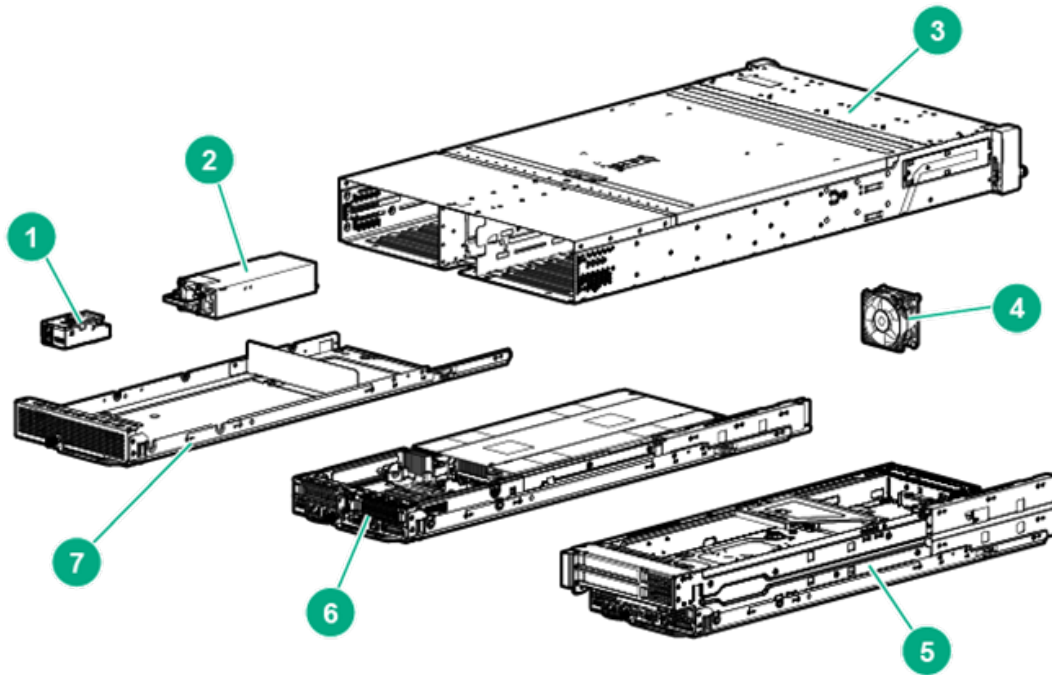
- HPE SimpliVity now offers support for VMware ESXi 7.0 deployments and upgrades along with many exciting new features in its latest software release
- HPE Cloud Volumes Backup support
- HPE StoreOnce integration enhancements
- Container Storage Interface (CSI) Plugin 1.0

Overview

Hardware Overview



- 1. Left bezel ear
- 2. SFF hot-plug drives
- 3. Right bezel ear
- 4. Chassis serial label pull tab
- 5. Non-removable bezel blank



- 1. RCM module (optional)
- 2. Power Supply
- 3. HPE SimpliVity 2600 Chassis
- 4. Chassis Fan
- 5. HPE SimpliVity 190
- 6. HPE SimpliVity 170
- 7. Server tray blank



Standard Features

Scalable and Configurable

- Processor – Choice of 1-2P Intel® Xeon® 8-26 Core Scalable Processors
- Memory – 128GB – 1024GB
- Network – 10/25Gb, 1Gb
- Power – Redundant
- Virtualization Software and Licensing
- All in a compact 2U form factor

Notes:

- Single cluster support up to 16 nodes, single federation support up to 96 nodes, and 48 clusters in one federation.
- VDI Optimized Hyperconverged Solution only supports memory in the range: 192GB – 1024GB.

Software Features

- VMware vSphere
- HPE SimpliVity management plugin for VMware vCenter
- Optional Data Encryption support
- Optional RapidDR support- HPE SimpliVity RapidDR is targeted to address SMB and Edge IT generalist persona DR orchestration needs with stringent SLAs around Recovery Point Objectives (RPOs) and Recovery Time Objectives (RTOs)
- General-purpose Virtualization & VDI Optimized Hyperconverged Solution
- Orchestrated upgrades of SimpliVity software, and hypervisor
- HPE Cloud Volumes Backup support
- HPE StoreOnce integration enhancements
- Container Storage Interface (CSI) Plugin 1.0

Notes:

- For RapidDR information, please see the [HPE SimpliVity RapidDR Data Sheet and QuickSpecs](#)
- QuickSpecs: <https://h20195.www2.hpe.com/v2/getdocument.aspx?docname=a00018755enw>
- The HPE SimpliVity 2600 supports VMware vSphere 6.5, 6.7 and 7.0
- For VMware and HW compatibility and the latest software compatibility, please see the [HPE SimpliVity OmniStack Interoperability Guide](#)
https://support.hpe.com/hpsc/doc/public/display?docLocale=en_US&docId=emr_na-a00080626en_us&withFrame or [HPE Support Center portal](#)

Hardware Availability Features

- HPE SimpliVity 2600 now offers support for the latest 2nd Generation Intel® Xeon® Scalable Processors
 - Supports up to four individual server nodes in each 2U chassis for 4x more density
 - HPE SimpliVity 2600 supports 16 node stretch cluster scale (8+8)
 - HPE SimpliVity 2600 supports 16 nodes in a cluster for general purpose virtualization
 - Cluster expansion without downtime
 - Hot-pluggable SSD
 - Redundant power supplies
 - Integrated storage controller with battery-backed cache
 - HPE ProLiant Integrated Lights-Out Advanced (iLO) 5 Remote Management
-



Standard Features

Services

- HPE Pointnext full suite of support offerings (Tech Care and Complete Care).
- Remote support technology to provide 24x7 secure remote support

More information is available at <http://www.hpe.com/info/SimpliVity>

Notes:

- For the best support experience, HPE Pointnext Installation Services and 24x7x365 support recommended.
- 3rd party software licenses not included

Features

HPE SimpliVity 2600	
Chassis Size	2U; Up to 4 nodes per chassis
System Fans	Ships standard with 4 single rotor fan modules, an additional 4 can be added for redundancy.
Processors	2x Intel® Xeon® Scalable Processors 8 to 26 cores selectable
Memory	128GB to 1024GB per node selectable
Storage	480GB M.2 SSD boot device per node 6 x 1.92TB SSD Kit (1 kit per node)
Network Ports	Dual port 1GbE Media Module Adapter (standard) Dual port 10/25GbE PCIe NIC (default) Quad port 1GbE PCIe NIC (optional)
Power Supplies	Dual power supplies provide highly available power HPE 1600W FlexSlot Platinum Hot Plug LH Power Supply Kit (standard) HPE 1800W - 2200W FlexSlot Platinum Hot Plug LH Power Supply Kit (optional) HPE 800W FlexSlot Hot Plug LH Power Supply Kit (48VDC, 110V, 110V/220V models optional)
Hardware Warranty¹	Server Warranty includes 3-Year Parts, 3-Year Labor, 3-Year Onsite support with next business day response
Hardware Support	3-year HPE SimpliVity 2600 solution support (required)

Notes:

- ¹Warranty for SSDs is subject to maximum usage limitations. Maximum usage limit is the maximum amount of data that can be written to the drive. Drives that have reached this limit will not be eligible for replacement.
- VDI Optimized Hyperconverged Solution only supports memory in the range: 192GB – 768GB

Benefits

Superior User Experience

The HPE SimpliVity 2600 enables high performance even at high user density. It eliminates the performance impact of client login storms, delivering a superior user experience through unmatched client virtualization performance.

The HPE SimpliVity 2600 brings hyperconvergence to the edge. The compact form factor is ideal for virtualized workloads in space-constrained environments.

Linear Scalability from Pilot to Production

The HPE SimpliVity 2600 delivers a scale-out architecture which reduces initial capital expense and tightly aligns investments with business requirements.

Allows building blocks to be added incrementally, providing a massively-scalable pool of shared resources.



Standard Features

Enterprise-grade Data Protection and Resiliency for Virtualization Workloads

The HPE SimpliVity 2600 provides built-in backup and disaster recovery capabilities for the entire client virtualization infrastructure, as well as for supporting management workloads.

The solution enables a resilient, highly available, desktop operations and the ability to withstand node failures with no loss of desktops and minimal increase in latency.

Automate disaster recovery with HPE SimpliVity RapidDR

HPE SimpliVity RapidDR simplifies and accelerates off-site DR through automation. The solution extends the inherent data efficiencies of HPE SimpliVity hyperconverged infrastructure, slashing recovery point objectives (RPOs) and recovery time objectives (RTOs) from days or hours to minutes.

Cloud backup

HPE SimpliVity with **HPE Cloud Volumes Backup** enables simple, efficient, flexible backup directly to the cloud from data center or multiple, on-premises edge sites

Secondary, centralized backup

HPE SimpliVity with HPE StoreOnce protects data center and distributed edge sites by easily and efficiently replicating applications and data directly to a centralized HPE StoreOnce appliance for compliance and long-term retention requirements

Software Overview

Pre-integrated software

- HPE SimpliVity Startup Wizard

Virtualization Platform Software and Licenses

- VMware vSphere installation is performed by HPE when ordering the HPE SimpliVity 2600
- Valid licenses for the following VMware software components are available when ordering the HPE SimpliVity 2600
 - (2) VMware vSphere licenses per node depending on CPU count
 - (1) VMware vCenter license

Notes:

- The HPE SimpliVity 2600 supports VMware vSphere 6.5 , 6.7 and 7.0
- For VMware and HW compatibility, please see the [HPE SimpliVity OmniStack Interoperability Guide](#) https://support.hpe.com/hpsc/doc/public/display?docLocale=en_US&docId=emr_na-a00080626en_us&withFrame or [HPE Support Center portal](#)
- HPE SimpliVity 2600 for VMware vSphere requires valid VMware vSphere, and vCenter licenses. VMware licenses should only be removed from the order if it is confirmed that the end-customer has a valid licenses in place (Enterprise License Agreement (ELA), vCloud Air Partner or unused Enterprise Purchasing Program tokens).
- Purchasing VMware licenses from Hewlett Packard Enterprise allows Hewlett Packard Enterprise to be the single point of contact for the entire solution inclusive of the virtualization software and is recommended.

Management

- VMware vCenter
- HPE SimpliVity management plugin for VMware vCenter

Notes:

- The HPE SimpliVity 2600 supports VMware vCenter 6.5 , 6.7 and 7.0
- For VMware and HW compatibility, please see the [HPE SimpliVity OmniStack Interoperability Guide](#) https://support.hpe.com/hpsc/doc/public/display?docLocale=en_US&docId=emr_na-a00080626en_us&withFrame or [HPE Support Center portal](#) (<https://www.hpe.com/support/hpsc>)



Service and Support

HPE Pointnext - Service and Support

Get the most from your HPE Products. Get the expertise you need at every step of your IT journey with **HPE Pointnext Services**. We help you lower your risks and overall costs using automation and methodologies that have been tested and refined by HPE experts through thousands of deployments globally. HPE Pointnext **Advisory Services** focus on your business outcomes and goals, partnering with you to design your transformation and build a roadmap tuned to your unique challenges. Our **Professional** and **Operational Services** can be leveraged to speed up time-to-production, boost performance and accelerate your business. HPE Pointnext specializes in flawless and on-time implementation, on-budget execution, and creative configurations that get the most out of software and hardware alike.

Consume IT on your terms

HPE GreenLake brings the cloud experience directly to your apps and data wherever they are—the edge, colocations, or your data center. It delivers cloud services for on-premises IT infrastructure specifically tailored to your most demanding workloads. With a pay-per-use, scalable, point-and-click self-service experience that is managed for you, HPE GreenLake accelerates digital transformation in a distributed, edge-to-cloud world..

- Get Faster time to market
- Save on TCO, align costs to business
- Scale quickly, meet unpredictable demand
- Simplify IT operations across your data centers and clouds

Managed services to run your IT operations

HPE GreenLake Management Services provides services that monitor, operate, and optimize your infrastructure and applications, delivered consistently and globally to give you unified control and let you focus on innovation.

Recommended Services

HPE Pointnext Tech Care*

Notes: *Minimum required level of support is 3yr Tech Care Basic

HPE Pointnext Tech Care is the new operational service experience for HPE products. Tech Care goes beyond traditional support by providing access to product specific experts, an AI driven digital experience, and general technical guidance to not only reduce risk but constantly search for ways to do things better. HPE Pointnext Tech Care has been reimaged from the ground up to support a customer-centric, AI driven, and digitally enabled customer experience to move your business forward. HPE Pointnext Tech Care is available in three response levels. Basic, which provides 9x5 business hour availability and a 2 hour response time. Essential which provides a 15 minute response time 24x7 for most enterprise level customers, and Critical which includes a 6 hour repair commitment where available and outage management response for severity 1 incidents.

<https://www.hpe.com/services/techcare>

HPE Pointnext Complete Care

HPE Pointnext Complete Care is a modular, edge-to-cloud IT environment service that provides a holistic approach to optimizing your entire IT environment and achieving agreed upon IT outcomes and business goals through a personalized and customer-centric experience. All delivered by an assigned team of HPE Pointnext Services experts. HPE Pointnext Complete Care provides:

- A complete coverage approach -- edge to cloud
- An assigned HPE team
- Modular and fully personalized engagement
- Enhanced Incident Management experience with priority access
- Digitally enabled and AI Driven customer experience

<https://www.hpe.com/services/complecare>



Service and Support

Technology Services for increased uptime, productivity and ROI

At Hewlett Packard Enterprise, our priority is to maximize your workload uptime, avoiding problems before they occur. As the experts for the HPE SimpliVity 2600, HPE Pointnext support will be your 24x7x 365 single point-of-contact for all of your support needs with HPE Pointnext Tech Care Support. This means you can spend more time developing apps and adding value to the business rather than maintaining your infrastructure.

If there is a potential risk in your infrastructure, our remote support technology will proactively notify Hewlett Packard Enterprise and initiate the resolution process. If you are experiencing any issue with your solution, HPE Pointnext Tech Care will provide you immediate access to our team of solution experts, whose first priority is to ensure your workloads are up and running, and then immediately start diagnosing the failure.

HPE Pointnext offers its full portfolio of support services. This includes Tech Care and Complete Care. Flexible Capacity and Operational Support Services are also available.

HPE SimpliVity 2600 is supported by the power of HPE, in 30+ different languages, with local presence across 140 countries.

Please consult your HPE Sales Representative for any additional questions and support options.

Installation and Startup Services

HPE Pointnext provides a full set of installation and startup services to meet your unique requirements.

Action	Description	Part #
Hardware install service	HPE SVT 2600 Hardware Install service	HA114A1#5KV
Remote software install service	HPE SVT Remote software install service	HA124A1#5LZ
Onsite software install service	HPE SVT Onsite Software install service	HA124A1#5MF
Update your firmware and SVT/VMware software	HPE SVT Software and Firmware update service.	HA124A1#5MK

Notes:

- Please contact your HPE Sales Representative for more information.
- For more information on Technology Services please visit: <https://www.hpe.com/us/en/services.html>

Warranty

This product is covered by a global limited warranty and supported by Hewlett Packard Enterprise Pointnext and a worldwide network of Hewlett Packard Enterprise Authorized Channel Partners resellers. Hardware diagnostic support and repair is available for three years from date of purchase. Support for software and initial setup is available for 90 days from date of purchase. Enhancements to warranty services are available through HPE Pointnext operational services or customized service agreements. Hard drives have either a one year or three year warranty; refer to the specific hard drive QuickSpecs for details.

This hardware warranty includes 3-Year Parts, 3-Year Labor, 3-Year Onsite support with next business day response. Warranty repairs may be accomplished through the use of Customer Self Repair (CSR) parts. These parts fall into two categories: 1) Mandatory CSR parts are designed for easy replacement. A travel and labor charge will result when customers decline to replace a Mandatory CSR part; 2) Optional CSR parts are also designed for easy replacement but may involve added complexity. Customers may choose to have Hewlett Packard Enterprise replace Optional CSR parts at no charge.

Parts and Materials

Hewlett Packard Enterprise will provide HPE-supported replacement parts and materials necessary to maintain the covered hardware product in operating condition, including parts and materials for available and recommended engineering improvements.

Parts and components that have reached their maximum supported lifetime and/or the maximum usage limitations as set forth in the manufacturer's operating manual, product quick-specs, or the technical product data sheet will not be provided, repaired, or replaced as part of these services.

Defective Media Retention

An option available with HPE Pointnext Complete Care and HPE Pointnext Tech Care and applies only to Disk or eligible SSD/Flash Drives replaced by HPE due to malfunction.



Service and Support

For more information

- www.hpe.com/services
- <https://www.hpe.com/us/en/services/operational.html>

To learn more on HPE Storage Services, please contact your Hewlett Packard Enterprise sales representative or Hewlett Packard Enterprise Authorized Channel Partner. Contact information for a representative in your area can be found at "Contact HPE" <https://www.hpe.com/us/en/contact-hpe.html>

HPE Support Services are sold by HPE and Hewlett Packard Enterprise Authorized Service Partners:

- Services for customers purchasing from HPE or an enterprise reseller are quoted using HPE order configuration tools.
 - Customers purchasing from a commercial reseller can find HPE Support Services at <https://ssc.hpe.com/portal/site/ssc/>
-



Configuration Information

Configuration Process

- Step 1:** Start with HPE SimpliVity 2600 Chassis
- Step 2:** Select node type and quantity
- Step 3:** Select the hardware options to add to the base node: processors, memory, networking, power, HW options
- Step 4:** Auto add of storage based on node quantity
- Step 5:** Auto add of SW that correlates to node configuration
- Step 6:** Add: from the software catalog ex. RapidDR, VMware vSphere
- Step 7:** Select services and support

Step 1: Start with HPE SimpliVity 2600 Chassis

Base Chassis

Select the node type and Quantity

Description

	SKU
HPE SimpliVity for Apollo Chassis	Q9Y46A
HPE r2x00 Gen10 Redundant Fan Module Kit	874308-B21

Step 2: Select Node Type and Quantity

Select the node type and Quantity

Description

	SKU
HPE SimpliVity 170r Gen10 Server	Q9Y47A
HPE SimpliVity 190r Gen10 Server	Q9Y48A

Notes:

- All nodes in a single chassis must be the same type. Mixed node types are not supported in the same chassis.
- Min/Max Rules, 170r Gen10 Server (min 2, max 4). 190r Gen10 Server (min 2, max 2)

Step 3: Select Hardware Options

1st Generation Intel® Xeon® Scalable Processors

CPU Configurations

Select single or dual CPUs

In the case of dual CPU: both the L21 and the B21 SKU will be included by the configurator

Remarks	Description	SKU
14c 1.9GHz 85W	Intel Xeon-Gold 5119T (1.9GHz/14-core/85W) FIO Processor Kit for HPE ProLiant XL1x0r Gen10	882040-L21
8c 1.8GHz 85W	Intel Xeon-Silver 4108 (1.8GHz/8-core/85W) Processor Kit for HPE ProLiant XL1x0r Gen10	879591-B21
8c 1.8GHz 85W	Intel Xeon-Silver 4108 (1.8GHz/8-core/85W) FIO Processor Kit for HPE ProLiant XL1x0r Gen10	879591-L21
12c 2.3GHz 105W	Intel Xeon-Gold 5118 (2.3GHz/12-core/105W) Processor Kit for HPE ProLiant XL1x0r Gen10	879581-B21
12c 2.3GHz 105W	Intel Xeon-Gold 5118 (2.3GHz/12-core/105W) FIO Processor Kit for HPE ProLiant XL1x0r Gen10	879581-L21
12c 2.6GHz 125W	Intel Xeon-Gold 6126 (2.6GHz/12-core/125W) Processor Kit for HPE ProLiant XL1x0r Gen10	874283-B21
12c 2.6GHz 125W	Intel Xeon-Gold 6126 (2.6GHz/12-core/125W) FIO Processor Kit for HPE ProLiant XL1x0r Gen10	874283-L21
8c 3.2GHz 130W	Intel Xeon-Gold 6134 (3.2GHz/8-core/130W) FIO Processor Kit for HPE ProLiant XL1x0r Gen10	874290-L21
24c 2.1GHz 150W	Intel Xeon-Platinum 8160 (2.1GHz/24-core/150W) Processor Kit for HPE ProLiant XL1x0r Gen10	874294-B21
24c 2.1GHz 150W	Intel Xeon-Platinum 8160 (2.1GHz/24-core/150W) FIO Processor Kit for HPE ProLiant XL1x0r Gen10	874294-L21
8c 3.5GHz 150W	Intel Xeon-Gold 6144 (3.5GHz/8-core/150W) Processor Kit for HPE ProLiant XL1x0r Gen10	880671-B21
8c 3.5GHz 150W	Intel Xeon-Gold 6144 (3.5GHz/8-core/150W) FIO Processor Kit for HPE ProLiant XL1x0r Gen10.	880671-L21



Configuration Information

2nd Generation Intel® Xeon® Scalable Processors

CPU Configurations

Select single or dual CPUs

In the case of dual CPU: both the L21 and the B21 SKU will be included by the configurator

Remarks	Description	SKU
6c 1.9GHz 85W	Intel Xeon-Bronze 3204 (1.9GHz/6-core/85W) Processor Kit for HPE ProLiant XL1x0r Gen10	P10314-B21
6c 1.9GHz 85W	Intel Xeon-Bronze 3204 (1.9GHz/6-core/85W) FIO Processor Kit for HPE ProLiant XL1x0r Gen10	P10314-L21
16c 2.1Ghz 100W	Intel Xeon-Silver 4216 (2.1GHz/16-core/100W) Processor Kit for HPE ProLiant XL1x0r Gen10	P10319-B21
16c 2.1Ghz 100W	Intel Xeon-Silver 4216 (2.1GHz/16-core/100W) FIO Processor Kit for HPE ProLiant XL1x0r Gen10.	P10319-L21
8c 2.5GHz 85W	Intel Xeon-Silver 4215 (2.5GHz/8-core/85W) Processor Kit for HPE ProLiant XL1x0r Gen10	P10318-B21
8c 2.5GHz 85W	Intel Xeon-Silver 4215 (2.5GHz/8-core/85W) FIO Processor Kit for HPE ProLiant XL1x0r Gen10	P10318-L21
12c 2.2GHz 85W	Intel Xeon-Silver 4214 (2.2GHz/12-core/85W) Processor Kit for HPE ProLiant XL1x0r Gen10	P10317-B21
12c 2.2GHz 85W	Intel Xeon-Silver 4214 (2.2GHz/12-core/85W) FIO Processor Kit for HPE ProLiant XL1x0r Gen10	P10317-L21
10c 2.2GHz 85W	Intel Xeon-Silver 4210 (2.2GHz/10-core/85W) Processor Kit for HPE ProLiant XL1x0r Gen10	P10316-B21
10c 2.2GHz 85W	Intel Xeon-Silver 4210 (2.2GHz/10-core/85W) FIO Processor Kit for HPE ProLiant XL1x0r Gen10	P10316-L21
8c 2.1GHz 85W	Intel Xeon-Silver 4208 (2.1GHz/8-core/85W) Processor Kit for HPE ProLiant XL1x0r Gen10	P10315-B21
8c 2.1GHz 85W	Intel Xeon-Silver 4208 (2.1GHz/8-core/85W) FIO Processor Kit for HPE ProLiant XL1x0r Gen10	P10315-L21
4c 3.8GHz 105W	Intel Xeon-Gold 5222 (3.8GHz/4-core/105W) Processor Kit for HPE ProLiant XL1x0r Gen10	P11834-B21
4c 3.8GHz 105W	Intel Xeon-Gold 5222 (3.8GHz/4-core/105W) FIO Processor Kit for HPE ProLiant XL1x0r Gen10	P11834-L21
18c 2.2GHz 125W	Intel Xeon-Gold 5220 (2.2GHz/18-core/125W) Processor Kit for HPE ProLiant XL1x0r Gen10	P10323-B21
18c 2.2GHz 125W	Intel Xeon-Gold 5220 (2.2GHz/18-core/125W) FIO Processor Kit for HPE ProLiant XL1x0r Gen10	P10323-L21
16c 2.3GHz 125W	Intel Xeon-Gold 5218 (2.3GHz/16-core/125W) Processor Kit for HPE ProLiant XL1x0r Gen10	P10322-B21
16c 2.3GHz 125W	Intel Xeon-Gold 5218 (2.3GHz/16-core/125W) FIO Processor Kit for HPE ProLiant XL1x0r Gen10	P10322-L21
8c 3.0GHz 115W	Intel Xeon-Gold 5217 (3.0GHz/8-core/115W) Processor Kit for HPE ProLiant XL1x0r Gen10	P10321-B21
8c 3.0GHz 115W	Intel Xeon-Gold 5217 (3.0GHz/8-core/115W) FIO Processor Kit for HPE ProLiant XL1x0r Gen10.	P10321-L21
10c 2.5GHz 85W	Intel Xeon-Gold 5215 (2.5GHz/10-core/85W) Processor Kit for HPE ProLiant XL1x0r Gen10	P10320-B21
10c 2.5GHz 85W	Intel Xeon-Gold 5215M (2.5GHz/10-core/85W) FIO Processor Kit for HPE ProLiant XL1x0r Gen10.	P10320-L21
24c 2.1GHz 150W	Intel Xeon-Gold 6252 (2.1GHz/24-core/150W) Processor Kit for HPE ProLiant XL1x0r Gen10	P10329-B21
24c 2.1GHz 150W	Intel Xeon-Gold 6252 (2.1GHz/24-core/150W) FIO Processor Kit for HPE ProLiant XL1x0r Gen10.	P10329-L21

Configuration Information

Remarks	Description	SKU
20c 2.5GHz 150W	Intel Xeon-Gold 6248 (2.5GHz/20-core/150W) Processor Kit for HPE ProLiant XL1x0r Gen10	P10328-B21
20c 2.5GHz 150W	Intel Xeon-Gold 6248 (2.5GHz/20-core/150W) FIO Processor Kit for HPE ProLiant XL1x0r Gen10.	P10328-L21
8c 3.6GHz 150W	Intel Xeon-Gold 6244 (3.6GHz/8-core/150W) Processor Kit for HPE ProLiant XL1x0r Gen10	P10327-B21
8c 3.6GHz 150W	Intel Xeon-Gold 6244 (3.6GHz/8-core/150W) FIO Processor Kit for HPE ProLiant XL1x0r Gen10.	P10327-L21
16c 2.8GHz 150W	Intel Xeon-Gold 6242 (2.8GHz/16-core/150W) Processor Kit for HPE ProLiant XL1x0r Gen10	P10326-B21
16c 2.8GHz 150W	Intel Xeon-Gold 6242 (2.8GHz/16-core/150W) FIO Processor Kit for HPE ProLiant XL1x0r Gen10.	P10326-L21
18c 2.6GHz 150W	Intel Xeon-Gold 6240 (2.6GHz/18-core/150W) Processor Kit for HPE ProLiant XL1x0r Gen10	P10325-B21
18c 2.6GHz 150W	Intel Xeon-Gold 6240 (2.6GHz/18-core/150W) FIO Processor Kit for HPE ProLiant XL1x0r Gen10	P10325-L21
22c 2.1GHz 140W	Intel Xeon-Gold 6238 (2.1GHz/22-core/140W) Processor Kit for HPE ProLiant XL1x0r Gen10	P12326-B21
22c 2.1GHz 140W	Intel Xeon-Gold 6238 (2.1GHz/22-core/140W) FIO Processor Kit for HPE ProLiant XL1x0r Gen10.	P12326-L21
8c 3.3GHz 130W	Intel Xeon-Gold 6234 (3.3GHz/8-core/130W) Processor Kit for HPE ProLiant XL1x0r Gen10	P12325-B21
8c 3.3GHz 130W	Intel Xeon-Gold 6234 (3.3GHz/8-core/130W) FIO Processor Kit for HPE ProLiant XL1x0r Gen10.	P12325-L21
20c 2.1GHz 125W	Intel Xeon-Gold 6230 (2.1GHz/20-core/125W) Processor Kit for HPE ProLiant XL1x0r Gen10	P10324-B21
20c 2.1GHz 125W	Intel Xeon-Gold 6230 (2.1GHz/20-core/125W) FIO Processor Kit for HPE ProLiant XL1x0r Gen10	P10324-L21
12c 2.7GHz 125W	Intel Xeon-Gold 6226 (2.7GHz/12-core/125W) Processor Kit for HPE ProLiant XL1x0r Gen10	P12324-B21
12c 2.7GHz 125W	Intel Xeon-Gold 6226 (2.7GHz/12-core/125W) FIO Processor Kit for HPE ProLiant XL1x0r Gen10	P12324-L21
8c 1.9GHz 85W	Intel Xeon-Bronze 3206R (1.9GHz/8-core/85W) Processor Kit for HPE ProLiant XL1x0r Gen10	P19263-B21
8c 1.9GHz 85W	Intel Xeon-Bronze 3206R (1.9GHz/8-core/85W) FIO Processor Kit for HPE ProLiant XL1x0r Gen10	P19263-L21
10c 2.4GHz 100W	Intel Xeon-Silver 4210R (2.4GHz/10-core/100W) Processor Kit for HPE ProLiant XL1x0r Gen10	P19265-B21
10c 2.4GHz 100W	Intel Xeon-Silver 4210R (2.4GHz/10-core/100W) FIO Processor Kit for HPE ProLiant XL1x0r Gen10	P19265-L21
12c 2.4GHz 100W	Intel Xeon-Silver 4214R (2.4GHz/12-core/100W) Processor Kit for HPE ProLiant XL1x0r Gen10	P19266-B21
12c 2.4GHz 100W	Intel Xeon-Silver 4214R (2.4GHz/12-core/100W) FIO Processor Kit for HPE ProLiant XL1x0r Gen10	P19266-L21
8c 3.2GHz 130W	Intel Xeon-Silver 4215R (3.2GHz/8-core/130W) Processor Kit for HPE ProLiant XL1x0r Gen10	P25128-B21
8c 3.2GHz 130W	Intel Xeon-Silver 4215R (3.2GHz/8-core/130W) FIO Processor Kit for HPE ProLiant XL1x0r Gen10	P25128-L21
20c 2.1GHz 125W	Intel Xeon-Gold 5218R (2.1GHz/20-core/125W) Processor Kit for HPE ProLiant XL1x0r Gen10	P19269-B21



Configuration Information

Remarks	Description	SKU
20c 2.1GHz 125W	Intel Xeon-Gold 5218R (2.1GHz/20-core/125W) FIO Processor Kit for HPE ProLiant XL1x0r Gen10	P19269-L21
24c 2.2GHz 150W	Intel Xeon-Gold 5220R (2.2GHz/24-core/150W) Processor Kit for HPE ProLiant XL1x0r Gen10	P19270-B21
24c 2.2GHz 150W	Intel Xeon-Gold 5220R (2.2GHz/24-core/150W) FIO Processor Kit for HPE ProLiant XL1x0r Gen10	P19270-L21
16c 2.9GHz 150W	Intel Xeon-Gold 6226R (2.9GHz/16-core/150W) Processor Kit for HPE ProLiant XL1x0r Gen10	P25126-B21
16c 2.9GHz 150W	Intel Xeon-Gold 6226R (2.9GHz/16-core/150W) FIO Processor Kit for HPE ProLiant XL1x0r Gen10	P25126-L21
26c 2.1GHz 150W	Intel Xeon-Gold 6230R (2.1GHz/26-core/150W) Processor Kit for HPE ProLiant XL1x0r Gen10	P25127-B21
26c 2.1GHz 150W	Intel Xeon-Gold 6230R (2.1GHz/26-core/150W) FIO Processor Kit for HPE ProLiant XL1x0r Gen10	P25127-L21

Step 3: Select the hardware options to add to the base node:

Memory

Select Memory Kit:

- 1 DIMM Kit required per CPU

Remarks	Description	SKU
4x 32GB RDIMMs	HPE SimpliVity 128G 4 DIMM Slots Memory FIO Kit	Q9Y50A
8x 16GB RDIMMs	HPE SimpliVity 128GB (8x16GB) DDR4-2933 Registered Memory Kit	R4C17A
6x 32GB RDIMMs	HPE SimpliVity 192GB (6x32GB) DDR4-2933 Registered Memory Kit	R4C20A
4x 64GB RDIMMs	HPE SimpliVity 256G 4 DIMM Slots Memory FIO Kit	Q9Y51A
4x 64GB RDIMMs	HPE SimpliVity 256GB (4x64GB) DDR4-2933 Registered Memory Kit	R4C22A
8x 32GB RDIMMs	HPE SimpliVity 256GB (8x32GB) DDR4-2933 Registered Memory Kit	R4C23A
8x 32GB RDIMMs	HPE SimpliVity 384GB (6x64GB) DDR4-2933 Registered Memory Kit	R4C28A
8x 64GB RDIMMs	HPE SimpliVity 512GB (8x64GB) DDR4-2933 Registered Memory Kit	R4C24A

Notes: For more information go to: <http://www.hpe.com/docs/memory-population-rules>

Graphics Modules

1 GPU is optional per SimpliVity 190 node, up to 2 optional for T4

Remarks	Description	SKU
	NVIDIA M10 Quad GPU Module for HPE	Q0J62A
	NVIDIA T4 16GB Computational Accelerator for HPE	R0W29C

Networking

Media Module is required (does not consume a PCIe slot)

Remarks	Description	SKU
	HPE Ethernet 1Gb 2-port 368T Media Module Adapter	866464-B21

PCI Adapter

1 Adapter per server must be added, up to 1 additional adapter may be selected when ordering 190 servers

Remarks	Description	SKU
	HPE Ethernet 1Gb 4-port BASE-T BCM5719 Adapter	647594-B21



Configuration Information

Remarks	Description	SKU
	HPE Ethernet 1Gb 4-port BASE-T I350-T4V2 Adapter	811546-B21
	HPE Ethernet 10Gb 2-port SFP+ 57810S Adapter	652503-B21
	HPE Ethernet 10Gb 2-port BASE-T 57810S Adapter	656596-B21
	HPE Ethernet 10/25Gb 2-port SFP28 MCX4121A-ACUT Adapter	817753-B21

Power Supplies

Two matched power supplies are required

Remarks	Description	SKU
	HPE 1600W Flex Slot Platinum Hot Plug Low Halogen Power Supply Kit	830272-B21
	HPE 1800W-2200W Flex Slot Platinum Hot Plug Power Supply Kit	876935-B21
	HPE 800W Flex Slot -48VDC Hot Plug Low Halogen Power Supply Kit	865434-B21
	HPE 800W Flex Slot Universal Hot Plug Low Halogen Power Supply Kit	865428-B21
	HPE 800W Flex Slot Platinum Hot Plug Low Halogen Power Supply Kit	865414-B21
	HPE 800W Flex Slot Titanium Hot Plug Low Halogen Power Supply Kit	865438-B21

Notes:

- The power supply requirement can vary based configuration and environment. Please refer to HPE Power Advisor for proper power sizing.
- 1600W power supply ships with a standard 6-foot IEC C-13/C-14 jumper cord (A0K02A). If a different power cord is required, please check the ProLiant Power Cables web page: <https://h20195.www2.hp.com/v2/getpdf.aspx/4AA6-6836ENW.pdf>
- 1800W - 2200W power supply requires the selection of a C15/C16 cord per power supply.

Power Cords

Additional power options are available

Remarks	Description	SKU
	HPE C13 - BS-1363A UK/HK/SG 250V 10Amp 1.83m Power Cord	AF570A
	HPE C13 - C14 WW 250V 10A Gray 0.7m Jumper Cord	A0K03A
	HPE C15 - NEMA 6-20P 250V 15Amp Black 2.5m US Power Cord	Q7F42A
	HPE C15 EU 250V 10Amp 2.5m Black Power Cord	Q7F45A
	HPE C15 UK 250V 10Amp 2.5m Black Power Cord	Q7F46A
	HPE C15 CN 250V 10Amp 2.5m Black Power Cord	Q7F53A
	HPE C15 US 250V 10Amp 2.5m Black Jumper Cord	Q7F57A
	HPE C15 EU 250V 10Amp 2.5m Black Jumper Cord	Q7F58A
	HPE C15 US 250V 10Amp 0.76m Black Jumper Cord	Q7F59A
	HPE C15 EU 250V 10Amp 0.76m Black Jumper Cord	Q7F60A
	HPE C15 US 250V 10Amp 1m Black Jumper Cord	Q7F61A
	HPE C15 EU 250V 10Amp 1m Black Jumper Cord	Q7F62A
	HPE 1.83m C13-NEMA 6-15P Power Cord	SK792A
	HPE C13-C14 IN 250V 10Amp 2m Black Jumper Cord	R1C65A
	HPE C15-C14 IN 250V 10Amp 2.5m Black Jumper Cord	R1C67A
	HPE C15-C14 IN 250V 10Amp 1m Black Jumper Cord	R1C68A
	HPE C13 - BS-1363A UK/HK/SG 250V 10Amp 1.83m Power Cord	AF570A
	HPE C13 - C14 WW 250V 10A Gray 0.7m Jumper Cord	A0K03A
	HPE C15 - NEMA 6-20P 250V 15Amp Black 2.5m US Power Cord	Q7F42A
	HPE C15 EU 250V 10Amp 2.5m Black Power Cord	Q7F45A

Notes: For more information on HPE server components, review the QuickSpecs at:

<https://www.hp.com/us/en/servers/server-options.html>



Configuration Information

IT Rack Enclosures

All G2 Advanced and G2 Enterprise models are compatible. Rack Options Listed.

Remarks	Description	SKU
	HPE 42U 600mmx1075mm G2 Kitted Advanced Pallet Rack with Side Panels and Baying	P9K07A
	HPE 42U 600mmx1075mm G2 Kitted Advanced Shock Rack with Side Panels and Baying	P9K08A
	HPE 42U 600mmx1200mm G2 Kitted Advanced Pallet Rack with Side Panels and Baying	P9K09A
	HPE 42U 600mmx1200mm G2 Kitted Advanced Shock Rack with Side Panels and Baying	P9K10A
	HPE Apollo Platform Manager Distribution Module Kit	620002-B21
	HPE Strap t2500 Shipping Bracket	740713-B21
	HPE 2U Shelf-Mount Adjustable Rail Kit	822731-B21

Notes:

- HPE Apollo 2000 Gen10 Chassis- The increasing power of new high-performance processor technology requires increased cooling efficiency for rack-mounted servers. For maximum cooling, HPE racks are recommended to allow these racks to be fully loaded with servers using the latest processors. For detail information please see Apollo 2000 System User Guide
- For more information on HPE rack enclosures, review the QuickSpecs at: <https://www.hpe.com/us/en/product-catalog/servers/server-racks.hits-12.html>.

Cautions:

- If a third-party rack is used, observe the following additional requirements to ensure adequate airflow and to prevent damage to the equipment.
- Always use blanking panels to fill all remaining empty front panel U-spaces in the rack. This arrangement ensures proper airflow. Using a rack without blanking panels will result in improper cooling that can lead to thermal damage.

KVM Switches and Consoles

Remarks	Description	SKU
	HPE 36pin Serial/USB/VGA Dongle Cord Kit	676277-B21

Notes:

- Dongle required for direct (non-iLO) KVM access. Each cable provides access to one server, at least 1 per chassis is recommended.

Power Distribution Units (PDU)

Remarks	Description	SKU
	HPE G2 Basic 3.6kVA/IEC C20 Detachable 16A/100-240V Outlets (20) C13 (2) C19/Vertical WW PDU	P9Q38A
	HPE G2 Metered 3.6kVA/IEC C20 Detachable 16A/100-240V Outlets (12) C13/1U Horizontal WW PDU	P9R50A
	HPE G2 Metered/Switched 4.9kVA/L6-30P 24A/208V Outlets (20) C13 (4) C19/Vertical NA/JP PDU	P9S15A
	HPE G2 Metered/Switched 7.3kVA/60309 3-wire 32A/230V Outlets (20) C13 (4) C19/Vertical INTL PDU	P9S18A

Notes: For more information on HPE PDU models and accessories, review the quickspec at: <https://www.hpe.com/us/en/product-catalog/servers/power-distribution-units>



Configuration Information

Step 4: Auto add of storage based on node quantity

Storage

Remarks	Description	SKU
1 Drive Kit is required per node	HPE SimpliVity 6x1.92TB SFF SSD Kit	Q9Y49A
Drive Options available	HPE Apollo 2000 SFF Bezel Enhanced Kit	874793-B21

Remarks:

- 1: 1 Drive Kit is required per node
- 2: Drive Options available

Notes:

- 7-15TB effective capacity.
- Effective capacity varies by dataset and is a function of realized deduplication and compression rates

Step 5: Auto add of SW that correlates to node configuration

HPE OmniStack Software

Based on the hardware configurations in step 1 & 2 the appropriate software will be included by the configurator.

The software is determined by CPU and storage configuration and is required

Remarks	Description	SKU
	HPE OmniStack 2P Virtual Desktop Infrastructure SW	Q9Y52A
	HPE OmniStack 1P Remote Office Branch Office SW	Q9Y54A
	HPE OmniStack 2P Remote Office Branch Office SW	Q9Y55A

Step 6: Add additional software options:

Choose additional options from Additional Options sections below

Step 7: Select services and support



Additional Options

Server Options

Additional hardware options are available

Description

	SKU
HPE Trusted Platform Module 2.0 Gen10 Option	864279-B21
HPE Gen10 TPM 1.2 FIO Setting	872108-B21
HPE 36pin Serial/USB/VGA Dongle Cord Kit	676277-B21
HPE Gen10 2U Bezel Kit	867809-B21
HPE Bezel Lock Kit	875519-B21
HPE Apollo Platform Manager Kit	741192-B21
HPE Apollo 2000 Rack Consolidation Module Kit	798211-B21
HPE Apollo 2000 Rack Consolidation Module 2.0-1.0 Adapter Kit	800063-B21

Software Options

VMware Software

vSphere

A valid VMware vSphere license is required for each CPU to complete deployment.

If an order is placed without VMware licenses, the user agrees to supply the necessary license.

Notes:

- The HPE SimpliVity 2600 supports VMware vSphere 6.5 , 6.7 and 7.0
- For VMware and HW compatibility, please see the [HPE SimpliVity OmniStack Interoperability Guide](https://support.hpe.com/hpsc/doc/public/display?docLocale=en_US&docId=emr_na-a00080626en_us&withFrame)
https://support.hpe.com/hpsc/doc/public/display?docLocale=en_US&docId=emr_na-a00080626en_us&withFrame
or [HPE Support Center portal](#)

Description

	SKU
VMware vSphere Standard 1 Processor 3yr E-LTU	BD711AAE
VMware vSphere Enterprise Plus 1 Processor 3yr Software	BD715A
VMware vSphere Enterprise Plus 1 Processor 3yr E-LTU	BD715AAE
VMware vSphere Remote Office Branch Office Standard 25VM 3yr E-LTU	P9A82AAE
VMware vSphere Remote Office Branch Office Advanced 25VM 3yr E-LTU	P9A85AAE
VMware vSphere Standard 1 Processor 5yr Software	BD512A

HPE Integrated Lights Out Advanced Software (iLO Advanced)

The HPE iLO Advanced license is required and additional options

Description

	SKU
HPE iLO Advanced 1-server License with 3yr Support on iLO Licensed Features	BD505A
HPE iLO Advanced Electronic License with 3yr Support on iLO Licensed Features	E6U64ABE
HPE iLO Advanced Flexible Quantity License with 3yr Support on iLO Licensed Features	BD506A
HPE iLO Advanced AKA Tracking License with 3yr Support on iLO Licensed Features	BD507A

Encryption Software

The HPE Smart Array Secure Encryption License is required if optional encryption is enabled



Technical Specifications

Chassis Physical Dimensions

2U 17.64" W x 34.62" D

End-of-life Management and Recycling

Hewlett-Packard offers end-of-life Hewlett Packard Enterprise product return, trade-in, and recycling programs in many geographic areas. For trade-in information, please go to: <http://www.hpe.com/recycle>. To recycle your product, please go to: <http://www.hpe.com/recycle> or contact your nearest Hewlett Packard Enterprise sales office. Products returned to Hewlett Packard Enterprise will be recycled, recovered or disposed of in a responsible manner.

The EU WEEE directive (2002/95/EC) requires manufacturers to provide treatment information for each product type for use by treatment facilities. This information (product disassembly instructions) is posted on the Hewlett Packard Enterprise web site at: <http://www.hp.com/go/green>. These instructions may be used by recyclers and other WEEE treatment facilities as well as Hewlett Packard Enterprise OEM customers who integrate and re-sell Hewlett Packard Enterprise equipment.



Summary of Changes

Date	Version History	Action	Description of Change
01-Nov-2021	Version 6	Changed	Service and Support Pointnext Tech Care and Complete Care information updated Obsolete SKUs were removed
01-Mar-2021	Version 5	Changed	Overview, Standard Features, and Additional Options sections were updated.
03-Aug-2020	Version 4	Changed	Overview, Standard Features, Service and Support, Configuration Information, Additional Options, and Technical Specifications sections were updated.
07-Oct-2019	Version 3	Changed	Overview, Standard Features, Configuration Information, and Technical Specifications sections were updated.
01-Oct-2018	Version 2	Changed	Overview, Standard Features, and Configuration Information sections were updated.
		Added	SKUs added in Configuration Information section: 879593-B21, 879593-L21, 879579-B21, 879579-L21, 879591-B21, 879591-L21, 874286-L21, 874290-B21, 874290-L21, Q9Y50A, Q0J62A, Q0V80A, 647594-B21, 811546-B21, 865434-B21, 865428-B21, 865414-B21, Q9Y52A, Q9Y54A, Q9Y55A, Q9Y53A, Q9Y56A, Q9Y57A.
		Removed	Obsolete SKU was deleted: J2R02A
02-Jul-2018	Version 1	Created	New QuickSpecs.



Copyright

Make the right purchase decision.
Contact our presales specialists.



Chat



Email



Call



Get updates



© Copyright 2021 Hewlett Packard Enterprise Development LP. The information contained herein is subject to change without notice. The only warranties for Hewlett Packard Enterprise products and services are set forth in the express warranty statements accompanying such products and services. Nothing herein should be construed as constituting an additional warranty. Hewlett Packard Enterprise shall not be liable for technical or editorial errors or omissions contained herein.

a00043499enw - 16191 - Worldwide - V6 - 01-November-2021