

Overview

HPE ProLiant Easy Connect EC200a Managed Hybrid Server

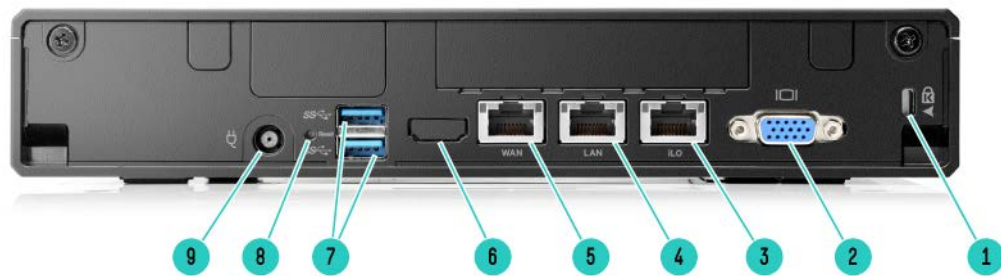
HPE Easy Connect EC200a solution is specifically designed for small business, education and branch offices. The solution delivers all your IT needs in one simple unique design. It enables customers to scale on demand, delivering advanced capabilities without complexity. This is all provided at an affordable monthly fee, supported by the Hewlett Packard Enterprise best in class partner network.



Front View:

- | | |
|--|----------------------------------|
| 1. Power On/Standby button and system power LED button | 6. Wireless LED |
| 2. Health LED | 7. UID (unit identification) LED |
| 3. LAN LED | 8. USB 2.0 Connector |
| 4. HDD LED | 9. USB 3.0 Connector |
| 5. Broadband LED | |

Overview



Rear View:

- | | |
|---------------------------------------|----------------------------|
| 1. Kensington Security Slot | 6. Reserved |
| 2. Video Connector | 7. USB 3.0 Connectors |
| 3. Dedicated iLO Management Connector | 8. Reset Button |
| 4. LAN Connector (NIC 2) | 9. Power Adapter Connector |
| 5. WAN Connector (NIC 1) | |

What's New?

High Availability

High Availability (HA) offers protection against business disruption and loss of data in the event of system failure.

Aruba Lite Integration

Allows users to see the overall status of Aruba WiFi Access Points through the management console, with a quick link to visit the full Aruba Central WiFi management platform.

Storage and backup Efficiency

More server disk capacity through improved efficiency on local and cloud backups. Estimated available disk capacity up to 2TB in the Base model and up to 5TB in the Premium model.

Microsoft Azure Tokens from HPE

Receive \$500 credit to Microsoft Azure services with the purchase of a ProLiant Easy Connect server (limited to 1 token per server; maximum of 5 tokens per customer).

Solution

HPE ProLiant Easy Connect Servers

HPE ProLiant Easy Connect Servers deliver worry-free, enterprise-grade Hybrid IT as a Service, enabling customers to choose the right blend of local and cloud IT to scale with their business, all for a simple monthly fee.

How it Works?

HPE ProLiant Easy Connect Servers are tightly integrated compute, storage, networking and virtualization appliances deployed on-site. Pre-integrated with cloud services and managed remotely from the cloud, they provide an efficient, flexible and consistent Hybrid IT solution that meets the needs of SMBs, branch offices, education, retail and many more industries.

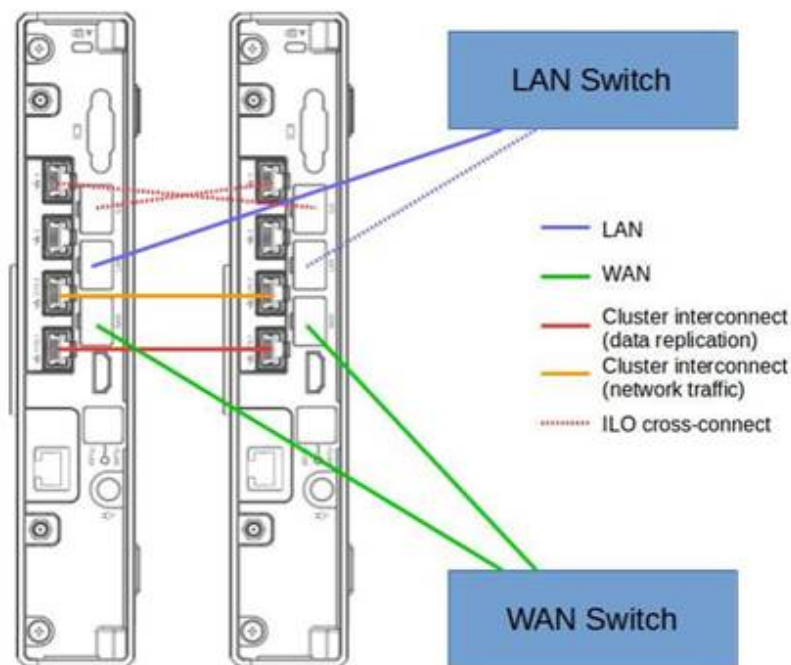
The offering empowers IT users to experience secure, reliable access to their Windows, Linux and SaaS applications thanks to the Hewlett Packard Enterprise unique Cloud Management Platform and Keep Current service.

But it is the Hewlett Packard Enterprise solution that makes it all possible – a unique server appliance with cloud management and virtualization technology from Zynstra, combined with rigorously tested network, security and cloud integration.

The solution is fast to deploy, easy to provision, centrally managed, always up to date and always consistent. All this is made possible because our services are backed by dedicated engineering and operations teams.

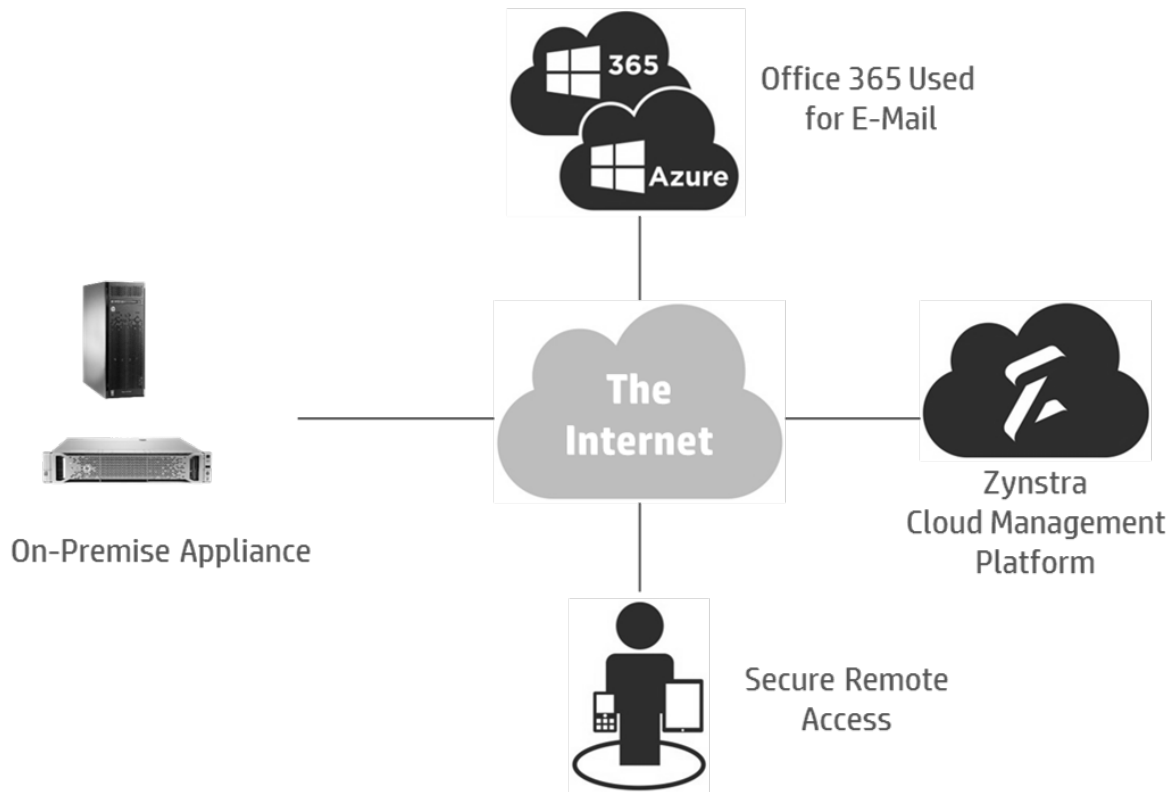
High Availability

High Availability (HA) helps insure against data loss and business disruption in the event of hardware or network failure. To obtain HA, two EC200a servers are connected through two Communication Boards to form a cluster. If system failure is detected, Zynstra's software then automatically switches over any services running on a failed server to the second server with minimal user disruption.



Solution Overview

Solution



Who is it for?

Small and Mid-sized Businesses

Designed for organizations with 5 to 50 users per office, the solution supports a complete range of Hybrid IT scenarios, delivering core IT functions out of the box while providing a secure, reliable platform for line-of-business applications and behind-the-firewall data. Offered as a service for a predictable subscription price, HPE ProLiant Easy Connect 200a make enterprise grade IT affordable for even the smallest office.

Education

HPE ProLiant Easy Connect EC200a Managed Hybrid Server supports a complete range of IT for schools of up to 300 students per campus. Resources for hosting local management and learning environments are combined with integration to common cloud applications, data backup and disaster recovery services.

Enterprise Branch

For multi-site, remote offices and branch IT, the HPE ProLiant Easy Connect EC200a Managed Hybrid Server is delivered as a fully managed on-site server, preconfigured and ready to go in a matter of minutes. Local VLANs, file storage, printer sharing and private cloud VMs offer enterprise grade IT for even the smallest branch office or retail site, all managed remotely.

Benefit at a Glance

HPE ProLiant Easy Connect Servers are a unique combination of hardware, software and services that offer a range of benefits unavailable in off-the-shelf servers or proprietary enterprise solutions.

Cloud managed IT: Remotely monitored and maintained by experts dedicated to helping you.

Keep current: Patched, updated and upgraded. No manual patching or system management of core server services required, reducing your server administration effort by 90%.

Pay per month: IT as a Service with monthly payments means predictable IT costs.

Low cost of ownership: Realize up to 60% lower total cost of ownership compared to traditional on-premises server, software and network solutions.

Solution

Enterprise-grade security: Integrated user, network and internet security are always kept up-to-date.

Reliable: A resilient appliance with data backup and next business day hardware repair services. Plus, the option of cloud back-up services support your IT business continuity strategy.

Quick to deploy, quick to restore: Pre-staged by Hewlett Packard Enterprise and self-configuring once installed, your IT can be up-and-running in minutes, not days. If ever required, software and data can be restored rapidly from local backup or cloud backup, minimizing the risk of downtime.

Microsoft Azure Tokens from HPE: Receive \$500 credit to Microsoft Azure services with the purchase of a ProLiant Easy Connect server (limited to 1 token per server; maximum of 5 tokens per customer). For more details, please see the Microsoft Azure Token from HPE site. <http://www.hpe.com/servers/azuretoken>

Solution Key Features

Managed Hybrid Server	Based on HPE ProLiant servers and Intel Xeon-D processors. Everything an office requires for local networking, file sharing, virtualization and security.
Managed Hybrid Platform	Remote monitoring, management, and our unique Keep Current service makes IT worry-free for one site or hundreds of sites.
Cloud Backup and Disaster Recovery	Pre-integrated with cloud storage services for off-site backup, supported by a comprehensive disaster recovery service for temporary access to your data and full restoration of your HPE ProLiant Easy Connect Server.

Base Product

Cloud Managed	<ul style="list-style-type: none"> Worry-free IT. Configured, monitored and managed by Hewlett Packard Enterprise and your IT partner. Monitoring Console. Optional access for IT teams or your IT partner for detailed multi-site monitoring from a single interface. Local Dashboard. User Control Console provides easy to understand per-appliance service status monitoring.
Keep Current Service	<ul style="list-style-type: none"> Keep Current. IT and curated apps are patched and updated by the Hewlett Packard Enterprise automated processes. Keep Secure. Secure, monitor and automatically identify both internal and external security threats. Keep Integrated. Integrated and updated to make use of optional cloud backup and the ability to deploy Single Sign-on to Office 365 cloud apps. Keep Running. Self-healing architecture and the Hewlett Packard Enterprise on-going performance monitoring and tuning.
File & Printer Sharing	<ul style="list-style-type: none"> File Share. Individual file storage and group file shares on resilient high-performance disk arrays. Printer Sharing. Straightforward access to local printers for all users.
Compute Resources	<ul style="list-style-type: none"> IaaS Virtual Machines. Compute capacity to host on-premises apps. Allocate CPUs, RAM and storage to virtual machines for local applications that run securely behind the firewall.
Network Functions	<ul style="list-style-type: none"> DNS and DHCP. Critical network services on-premises. Firewall. ICSA certified firewall gateway to the Internet protects LAN-side applications, data and users. IPsec. On the public Internet, securely connects multiple sites using IPsec and next generation firewall. VPN. Secure remote access to services for users and IT administrators.
User Management	<ul style="list-style-type: none"> User Control Console. Individual user and group administration. Active Directory. Industry-leading user credential management included and installed on-premises.
Reliable & Resilient Support	<ul style="list-style-type: none"> Local Backup. Cloud Managed Servers feature redundant disk arrays and local data backup. System Care. Next business day repair of appliance hardware with HPE Care (subject to regional availability). Support. You and your IT partners are backed by the Hewlett Packard Enterprise DevOps team and modern IT support systems. Office hours support line and online.

Gateway Product

Security and Control	<ul style="list-style-type: none"> Firewall. ICSA certified firewall gateway to the Internet protects LAN-side applications, data and users. Web Filter. Enables blocking of inappropriate web content in real-time. The URL categorization engine makes it easy to block websites in over 140 categories. Bandwidth Control. Control and visualization of network traffic at a fine-grained level. Virus-Blocker. On-the wire anti-virus scanning automatically scans HTTP, FTP and SMTP traffic.
-----------------------------	--

Solution Key Features

Cloud Backup and Disaster Recovery Product

Business Continuity

- Cloud Backup. Nightly backup of the entire system to cloud storage with an option of data-retention periods, inclusive of all Cloud storage costs, for a predictable subscription price.
 - Disaster Recovery. Temporary access to users data and apps in the cloud in the event of a major outage, followed by restoration to your hardware.
-

Windows Server Products

Windows Server

- Single Instance for VMs. Windows Server 2012 is supplied as a subscription price for deployment in to the IaaS Virtual Machines on the Easy Connect Server.
 - Multiple Instances for VMs. Windows Server 2012 Datacenter license available as a subscription price for unlimited Windows IaaS VMs.
-

RDS Product

User Desktops

- Microsoft RDS platform provided as a subscription service ready for your users' desktop applications. RDS services are fully monitored and kept current by Hewlett Packard Enterprise. Desktop configuration and contents are managed by your IT team or IT partner.
NOTE: Two or more Windows Server licenses must also be purchased to host RDS services.

Standard Features

Processor	Model	CPU Frequency	Cores	Power	DDR4 (MHz)
	Intel® Xeon® D-1518	2.2GHZ	4	35W	2133
<p>NOTE: For more information regarding Intel Xeon processors, please see the following http://www.intel.com/xeon.</p>					
Memory	Type				
	HPE Standard Memory				
	DDR4 Unbuffered (UDIMM) or Registered (RDIMM)				
	DIMM Slots Available	2			
	Maximum Capacity (RDIMM)	64GB (2 x 32GB RDIMM 2400MHz)			
	Maximum Capacity (UDIMM)	32GB (2 x 16GB UDIMM 2133MHz)			
Memory Capacity	HPE EC200a D1518 NHP Base Server	32GB UDIMM 2133MHz (2x16GB)			
Depending on model	HPE EC200a D1518 NHP Premium Server	64GB RDIMM 2400MHz (2x32GB)			
	<p>NOTE: Due to chipset constraint, the maximum memory speed support up to 2133 MHz.</p>				
Memory Protection	Error Correcting Code (ECC)	Memory protects businesses data from data loss and unplanned system downtime.			
Networking	2x1GbE embedded, 1x 1GbE dedicated iLO NIC				
VGA/Serial/USB	1 VGA/ 0 Serial/ 3 USB (USB3.0/2.0), 1 USB (USB2.0)				
Storage Controller	Embedded SATA controller (SW RAID 0/1 Support)				
Hard Drive Capacity	HPE EC200a D1518 NHP Base Server (4TB)	2 x 2 TB LFF SATA HDD			
Depending on model	HPE EC200a D1518 NHP Premium Server (8TB)	2 x 4 TB LFF SATA HDD			
Hard Drive Upgrade	Option with Expansion Box				
	HPE EC200a 8TB Storage Expansion	4 x 2 TB LFF SATA HDD			
	HPE EC200a 16TB Storage Expansion	4 x 4 TB LFF SATA HDD			
	<p>NOTE: EC200a only support SATA LFF Drives.</p>				
Power Supply	HPE 120W Power Supply (89% efficiency)				
Fan	(1) Non-Hot-Plug FAN				
Interfaces	Network RJ-45 (Ethernet)	2			
	HPE iLO VGA Port	1			
	Dedicated Management NIC Port for iLO	1			
	USB 3.0	3			
	USB 2.0	1			
Operating System	Ubuntu				
	Windows Server 2012				

Standard Features

Upgradeability	HPE EC200a Expansion box Security Bezel
Industry Standard Compliance	PCIe M.2 Compliant Microsoft® Logo certifications USB 3.0 Support

Pre-Configured Models

HPE ProLiant Easy Connect EC200a WW Model

	Base Model	Premium Model
Part Number	851796-xx1	851797-xx1
Model Name	HPE EC200a D1518 NHP Base Server	HPE EC200a D1518 NHP Premium Server
Localization	US/UK	US/UK
Processor Model	Intel® Xeon® D-1518	Intel® Xeon® D-1518
Heatsink	Customize	Customize
Fan	1	1
Number of Processors	1	1
Processor Spec (Cores/GHz/Watt)	4/2.2GHz/35W	4/2.2GHz/35W
Memory	32GB UDIMM 2133MHz (2x16GB)	64GB RDIMM 2400MHz (2x32GB)
M.2 SSD	128GB	256GB
Smart Store Battery	No	No
Backplane	None	None
HDD	2 x 2TB LFF SATA HDD	2 x 4TB LFF SATA HDD
NIC	2 x 1Gb Emb.	2 x 1Gb Emb.
Software 3rd Party Image	Yes	Yes
Power Supply	HPE 120W Power Supply	HPE 120W FIO Power Supply
Expansion Slots	No	No
ODD	None	None
Rail Kit	None	None
SID	No SID	No SID
Universal Media Bay	None	None
Warranty	3/3/3	3/3/3

HPE Managed Server Expansion Kit

	Base Model	Premium Model
Part Number	854159-B21	861161-B21
Model Name	HPE Managed Server 8TB EU/US Expansion Kit	HPE Managed Server 16TB EU/US Expansion Kit
Localization	US/UK	US/UK
HDD Support	4LFF SATA HDD	4LFF SATA HDD
HDD Capacity	4 x 2TB	4 x 4 TB
Fan	1	1
Power Supply	HPE 180W Power Supply	HPE 180W Power Supply

Core Options

NOTE: Some options may not be integrated at the factory. To ensure only valid configurations are ordered, Hewlett Packard Enterprise recommends the use of a Hewlett Packard Enterprise approved configurator. Contact your local sales representative for additional information.

HPE Unique Options	HPE Managed Server 8TB EU/UK Storage Expansion	854159-B21
	HPE Managed Server 16TB EU/US Storage Expansion	861161-B21
	HPE Managed Server Cradle Kit	854160-B21
	HPE Managed Server Wall Mount Kit	854161-B21
	Microsoft Azure Tokens from HPE E-LTU	P9T85AAE

NOTE: Customer is able to choose either of the options above. When storage expansion installed, not able to install Cradle Kit or Wall Mount Kit.

Base SKU

NOTE: Available in US and UK only.

Base SW (SMB)

HPE ProLiant EC200a CM Base SMB LTU

Base SW (NC)

HPE ProLiant EC200a CM Base NC LTU

8TB Expansion

HPE EC200a Storage Exp 8TB LTU

Premium SKU

NOTE: Available in US and UK only.

Base SW (SMB)

HPE ProLiant EC200a CM Premium SMB LTU

Base SW (NC)

HPE ProLiant EC200a CM Premium NC LTU

16TB Expansion

HPE EC200a Storage Exp 16TB LTU

Other Options

NOTE: Available in US and UK only.

Backup and DR

HPE Cloud Managed IT Backup and Disaster Recovery per TB Current Configuration LTU

EC200a Gateway

HPE Cloud Managed IT EC200a Next Gen Gateway LTU

RDS license NC

HPE Cloud Managed Non-commercial RDS per User License LTU

RDS license SMB

HPE Cloud Managed SMB RDS per User License LTU

Windows VM NC

HPE Cloud Managed Non-commercial IT Windows Server per Vose LTU

Windows VM SMB

HPE Cloud Managed SMB IT Windows Server per Vose LTU

Windows DC NC

Core Options

HPE Cloud Managed IT Non-commercial Windows Data Center Per Appliance CPU
LTU

Windows DC SMB

HPE Cloud Managed IT SMB Windows Data Center per Appliance CPU LTU

Web Filter

NOTE: Available in UK only.

HPE Cloud Managed IT Web Filter per 500 Student LTU

Technical Specifications

HPE EC200a System Unit	Dimensions	25.4cm x 25.4cm x 4.7cm		
	Weight (approximate)	Minimum	3.42 Lb (1.55 kg)	
		Maximum	8.13 Lb (3.69 kg)	
		Minimum (with expansion box)	9.02 Lb (4.09 kg)	
		Maximum (with expansion box)	19.67 Lb (8.92 kg)	
	Input Requirements	Range Line	100 to 240 VAC, 17A	
		Rated Input Frequency	50 to 60 GHz	
	Power Specifications	To review typical system power ratings use the Power Advisor which is available via the online tool located at URL: http://www.hp.com/go/proliant-energy-efficient or http://www.hp.com/go/hppoweradvisor - Click on the system of interest.		
	Power Supply Output	Voltage	19.5V	
		Output Current	6.15A	
	Output Power	120W		
System Ambient	10° to 35°C (50° to 95°F) at sea level with an altitude derating of 1.0°C per every 305 m (1.8°F per every 1000 ft) above sea level to a maximum of 3050 m (10,000 ft), no direct sustained sunlight. Maximum rate of change is 20°C/hr (36°F/hr). The upper limit and rate of change may be limited by the type and number of options installed.			
Relative Humidity	Operating	The unit shall be fully functional from 10% to 90% relative humidity, 28°C maximum web bulb temperature, (non-condensing) across the operating temperature range of 0°C to 40°C.		
	Non-operating	5 to 95% relative humidity (Rh), 38.7°C (101.7°F) maximum wet bulb temperature, non-condensing.		
Acoustic Noise	Listed are the declared A-Weighted sound power levels (LWAd) and declared average bystander position A-Weighted sound pressure levels (LpAm) when the product is operating in a 23°C ambient environment. Noise emissions were measured in accordance with ISO 7779 (ECMA 74) and declared in accordance with ISO 9296 (ECMA 109).			
		EC200a alone	EC200a with Expansion	
	Idle			
	L WAd	4.2 Bels	4.7 Bels	
	L pAm	28.7 dBA	32.7 dBA	
	Operating			
	L WAd	4.9 Bels	5.5 Bels	
	L pAm	35.4 dBA	41.7 dBA	
	NOTE: EC200a tested included one Intel® Xeon® D-1518 2.2GHz processors, two 4TB SATA 3.5" HDD, one system fan, two 16GB DDR4 RDIMM's 2400MHz, one 256GB M.2.			

Technical Specifications

NOTE: EC200a with Expansion tested included one Intel® Xeon® D-1518 2.2GHz processors, six 4TB SATA 3.5" HDD, two system fans, two 16GB DDR4 RDIMM's 2400MHz, one 256GB M.2.

NOTE: Values are subject to change without notification and are for reference only.

NOTE: Acoustics levels presented here accounts for test configuration only and acoustics level will vary depending on system configuration.

Emissions Classification (EMC) **FCC Rating** Class B

HPE EC200a Expansion Server System Unit	Dimensions	25.4cm x 25.4cm x 6.8cm	
	Weight (approximate)	Minimum	5.6 Lb (2.54 kg)
		Maximum	11.54 Lb (5.23 kg)
Input Requirements	Voltage,	19V, 3.5A	
	Current	3.3V, 0.5A	

Environment-friendly Products and Approach

End-of-life Management and Recycling

Hewlett Packard Enterprise offers end-of-life HPE product return, trade-in, and recycling programs in many geographic areas. For trade-in information, please go to: <http://www.hp.com/go/green>. To recycle your product, please go to: <http://www.hp.com/go/green> or contact your nearest Hewlett Packard Enterprise sales office. Products returned to Hewlett Packard Enterprise will be recycled, recovered or disposed of in a responsible manner.

The EU WEEE directive (2002/95/EC) requires manufacturers to provide treatment information for each product type for use by treatment facilities. This information (product disassembly instructions) is posted on the Hewlett Packard Enterprise web site at: <http://www.hp.com/go/green>. These instructions may be used by recyclers and other WEEE treatment facilities as well as Hewlett Packard Enterprise OEM customers who integrate and re-sell Hewlett Packard Enterprise equipment.

Summary of Changes

Date	Version History	Action	Description of Change:
26-Sep-2016	From Version 4 to 5	Added	Added Microsoft Azure Tokens from HPE E-LTU.
		Changed	Solution and Solution Key Features were revised.
30-Aug-2016	From Version 3 to 4	Changed	Version reverted.
15-Aug-2016	From Version 2 to 3	Changed	Overview, Solution, Solution Key Features, Standard Features, Pre-Configured Models, and Core Options were revised. The title was changed to HPE ProLiant Easy Connect EC200a Managed Hybrid Server.
6-May-2016	From Version 1 to 2	Changed	Front View image was fixed.



hpe.com/qref/ec200a



Sign up for updates

© Copyright 2016 Hewlett Packard Enterprise Development LP. The information contained herein is subject to change without notice. The only warranties for Hewlett Packard Enterprise products and services are set forth in the express warranty statements accompanying such products and services. Nothing herein should be construed as constituting an additional warranty. Hewlett Packard Enterprise shall not be liable for technical or editorial errors or omissions contained herein.

Microsoft and Windows NT are US registered trademarks of Microsoft Corporation.

Unix is a registered trademark of The Open Group.

Intel, the Intel logo, Xeon and Xeon Inside are trademarks of Intel Corporation in the U.S. and other countries.

For hard drives, 1GB = 1 billion bytes. Actual formatted capacity is less.

c04959071 - 15557 - Worldwide – V5 - 26-September-2016

