

Overview

HPE Moonshot-45XGc Switch Module

The HPE Moonshot-45XGc Switch Module is designed to provide high speed, low-latency connectivity while dramatically reducing cost and complexity of deploying solutions at scale. The 45XGc Switch Module, together with the HPE Moonshot-4QSFP+ Uplink Module, provides 10GbE network connections to cartridges within the HPE Moonshot 1500 chassis and 40GbE/10GbE connectivity external to the chassis. This switch is based on the HPE Comware v7 network operating system, which provides enterprise-grade features and resiliency. Up to two switch modules are supported in each chassis, and they can be combined and managed as a single entity with the HPE Intelligent Resilient Framework (IRF).

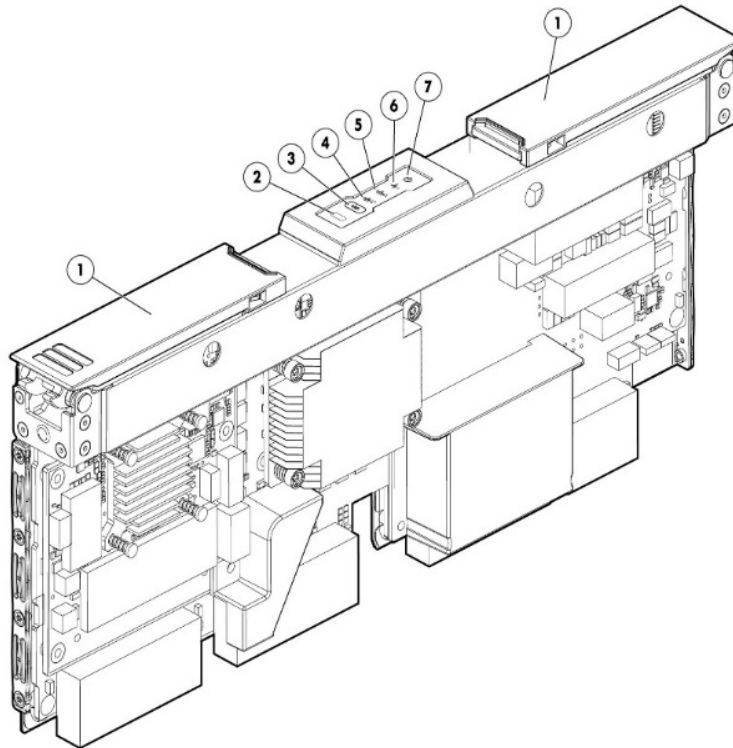


Figure 1 HPE Moonshot-45XGc Switch Module

- | | |
|-------------------------------|------------------------|
| 1. Release Latch | 5. Uplink Activity LED |
| 2. Access Panel Sensor | 6. Health Status LED |
| 3. Unit ID (UID) LED / Button | 7. Power LED |
| 4. Downlink Activity LED | |

Models

HPE Moonshot-45XGc Switch Module Kit

704654-B21

Notes: Must order one each of the Switch Module Kit per chassis.

Overview

Chassis

HPE Moonshot 1500 Chassis

HPE ProLiant Servers

- HPE ProLiant m510 Server
- HPE ProLiant m700p Server
- HPE ProLiant m710x Server

HPE Moonshot Uplink Modules

- HPE Moonshot-4QSFP+ Uplink Module
- HPE Moonshot-16SFP+ Uplink Module

Switch	Speed	HPE ProLiant Cartridges			Uplink		
		m700p	m710x	m510	Moonshot-6SFP+ Uplink 704646-B21	Moonshot-16SFP+ Uplink 783263-B21	Moonshot-4QSFP+ Uplink 704652-B21
Moonshot 45Gc Switch	1Gb		X	X	X		
Moonshot 45XGc Switch	10Gb		X	X		X	X
Moonshot-180XGc Switch	1Gb	X	X	X		X	X
	10Gb		X	X		X	X



Standard Features

Performance

- 160Gb uplink bandwidth / 450Gb available server side bandwidth
 - Wire-speed switching and IPv4/IPv6 routing on all ports
 - Combine up to 4 switches into a single virtual switch
 - QSFP+ ports support 4 x 10Gb with optional breakout cable
 - Cut-through switching
 - Hardware-based wire-speed access control lists (ACLs)
 - Data Center Bridging (DCBX)
 - Support for VEPA (IEEE 802.1Qbg)
-

Management

- Remote configuration and management CLI
 - Standards-based SNMP management via SNMPv1, v2c and v3
 - Out of band management via iLO Chassis Manager
 - HPE IMC (Intelligent Management Center)
 - SDN with OpenFlow 1.3
 - RJ45 console port
 - sFlow
 - Manager and operator privilege levels
 - Command authorization via RADIUS
 - Complete session logging for problem resolution
 - LLDP Discovery protocol
 - IPv6 management
 - Multiple flash images
 - Multiple configuration files
 - Syslog
 - Network Time Protocol (NTP)
-

Security

- IEEE 802.1X user authentication
 - MAC-based authentication with RADIUS server
 - Access Control Lists (ACLs)
 - Secure FTP
 - STP Root Guard
 - DHCP Protection from unauthorized DHCP servers
 - IP Source Guard
 - Dynamic ARP protection to prevent eavesdropping
 - Endpoint Admission Defense (EAD)
 - RADIUS/TACACS+
 - Secure management via SSHv2 and SNMPv3
 - Unicast Reverse Path Forwarding (URPF)
 - Monitor link and Smart link
 - IPsec
 - IKE (Internet Key Exchange)
 - Disable password recovery
-



Standard Features

Layer 2 Switching

- 128K MAC addresses
 - 4094 VLANs
 - IEEE 802.1ad QinQ VLANs
 - Per VLAN Spanning Tree (PVST+)
 - Private VLANs (PVLAN)
 - Multicast VLAN Registration Protocol (MVRP)
 - Jumbo frame support
 - Port Aggregation
 - Spanning Tree Protocol, MSTP, RSTP, STP Root Guard
 - IP Multicast Snooping and data-driven IGMP
 - Transparent Interconnect of Lots of Links (TRILL)
 - Shortest Path Bridging (SPB)
 - Multiple Label Switching (MPLS)
 - Virtual Private LAN Service (VPLS)
-

Layer 3 Routing

- IPv4 routing protocols - static routes, RIP, OSPF and BGP
 - IPv6 routing protocols - static routes, RIPng, OSPFv3 and BGP+
 - IPv6 tunneling
 - IP Multicast - PIM-SSM, PIM-DM, PIM-SM, IGMP for IPv4 and IPv6
 - Equal-Cost Multipath (ECMP)
 - Policy-based routing
 - DHCP and DHCPv6 client
 - VRRP
-

Quality of Service (QoS)

- Advanced classifier-based QoS (with eight queues) - classifies traffic using multiple match criteria
 - based on Layer 2, 3 and 4 information and applies QoS policies such as priority level and rate limit to selected traffic on a per-port or per-VLAN basis
 - Traffic policing - supports Committed Access Rate (CAR) and line rate
 - Powerful QoS feature - creates traffic classes based on access control lists (ACL), IEEE 802.1p precedence, IP, DSCP or Type of Service (ToS) precedence; supports filter, redirect, mirror or remark; supports the following congestion actions: strict priority (SP) queuing, weighted round robin (WRR), weighted fair queuing (WFQ), and weighted random early discard (WRED)
 - Storm restraint - allows limitation of broadcast, multicast, and unknown unicast traffic rate to cut down on unwanted broadcast traffic on the network
-

Resiliency and High Availability

- Intelligent Resilient Framework (IRF) - Creates virtual resilient switching fabrics, up to four Moonshot-45XGc switch modules acting as a single Layer 2/3 switch; Switches do not have to be co-located and can be part of a disaster recovery system; Servers or switches can be attached using standard LACP for automatic load balancing and high availability; Simplifies network operation by eliminating Spanning Tree, ECMP and VRRP; IRF supports up to four members in a group.
 - Device Link Detection Protocol (DLDP) - Monitors Link connectivity and shuts down ports at both ends if unidirectional traffic is detected
 - Virtual Router Redundancy Protocol (VRRP)
-



Standard Features

Monitoring and Diagnostics

- OAM (802.3ah) - Detects data link layer problems in the "last mile"; monitors link status between two devices
 - CFD (802.1ag) - Connectivity Fault Detection (CFD) provides L2 link OAM mechanism used for link connectivity detection and fault location
 - Mirroring - Port mirroring enables traffic on a port to be simultaneously sent to a network analyzer for monitoring; Flow-based mirroring
-



Service and Support

HPE Pointnext - Service and Support

Get the most from your HPE Products. Get the expertise you need at every step of your IT journey with **HPE Pointnext Services**. We help you lower your risks and overall costs using automation and methodologies that have been tested and refined by HPE experts through thousands of deployments globally. HPE Pointnext **Advisory Services** focus on your business outcomes and goals, partnering with you to design your transformation and build a roadmap tuned to your unique challenges. Our **Professional** and **Operational Services** can be leveraged to speed up time-to-production, boost performance and accelerate your business. HPE Pointnext specializes in flawless and on-time implementation, on-budget execution, and creative configurations that get the most out of software and hardware alike.

Consume IT on your terms

HPE GreenLake brings the cloud experience directly to your apps and data wherever they are—the edge, colocations, or your data center. It delivers cloud services for on-premises IT infrastructure specifically tailored to your most demanding workloads. With a pay-per-use, scalable, point-and-click self-service experience that is managed for you, HPE GreenLake accelerates digital transformation in a distributed, edge-to-cloud world.

- Get faster time to market
- Save on TCO, align costs to business
- Scale quickly, meet unpredictable demand
- Simplify IT operations across your data centers and clouds

Managed services to run your IT operations

HPE GreenLake Management Services provides services that monitor, operate, and optimize your infrastructure and applications, delivered consistently and globally to give you unified control and let you focus on innovation.

Recommended Services

HPE Pointnext Tech Care.

HPE Pointnext Tech Care is the new operational service experience for HPE products. Tech Care goes beyond traditional support by providing access to product specific experts, an AI driven digital experience, and general technical guidance to not only reduce risk but constantly search for ways to do things better. HPE Pointnext Tech Care has been reimagined from the ground up to support a customer-centric, AI driven, and digitally enabled customer experience to move your business forward. HPE Pointnext Tech Care is available in three response levels. Basic, which provides 9x5 business hour availability and a 2 hour response time. Essential which provides a 15 minute response time 24x7 for most enterprise level customers, and Critical which includes a 6 hour repair commitment where available and outage management response for severity 1 incidents.

<https://www.hpe.com/services/techcare>

HPE Pointnext Complete Care

HPE Pointnext Complete Care is a modular, edge-to-cloud IT environment service that provides a holistic approach to optimizing your entire IT environment and achieving agreed upon IT outcomes and business goals through a personalized and customer-centric experience. All delivered by an assigned team of HPE Pointnext Services experts. HPE Pointnext Complete Care provides:

- A complete coverage approach -- edge to cloud
- An assigned HPE team
- Modular and fully personalized engagement
- Enhanced Incident Management experience with priority access
- Digitally enabled and AI driven customer experience

<https://www.hpe.com/services/completecure>



Service and Support

HPE Technology Services for Moonshot

Capitalizing on the Moonshot 1500 System requires a service partner who understands your increasingly complex business technology environment. That's why it makes sense to team up with the people who know Hewlett Packard Enterprise infrastructure hardware and software best - the experienced professionals at HPE Technology Services.

Hewlett Packard Enterprise is pleased to include full software support for Ubuntu Linux as part of your Moonshot chassis purchase. For chassis supporting revenue-generating or production level workloads, consider purchasing a level of support that matches your requirements.

Protect your business beyond warranty with HPE Pointnext operational services

HPE sells support in easy-to-buy, preconfigured packages with the combination of services, coverage and duration to fit your needs and budget. With Moonshot, we are introducing a new, simpler set of services. Simply choose the service level that best fits the criticality of your hardware.

HPE Self-Service Spares Service answers the question: What do you do when you need parts? We can set it up so that you get spare parts onsite through our automated self-service spares. You simply go to the part of your data center where the parts live, scan them out, scan in the broken one, and you're done. We maintain your inventory of good spares, so that what you need is ready to go when you need it. And we provide monthly service excellence reports illustrating onsite inventory performance.

To obtain further information or to order HPE Complete Care Service as described above, contact a local Hewlett Packard Enterprise sales representative. Please see the Additional Options section of this QuickSpecs for additional information.

HPE Moonshot Installation & Startup Service

HPE Installation and Startup Service for the Moonshot System provides for the installation of one system and its associated Moonshot servers and network switches, as well as operating system deployment and basic configuration of OS network parameters to establish network connectivity

In response to the needs of the majority of HPE Moonshot System customers, this fixed-price/fixed deliverable service targets new hardware installation and software deployments for the 1500 infrastructure. For more advanced installation, configuration, and integration requirements, custom deployments are available through a customized Statement of Work. Please see the Additional Options section of this QuickSpecs for additional information.

For more information on Hewlett Packard Enterprise Services, contact any of our worldwide sales offices or visit one of the following websites:

HPE support services: <https://www.hpe.com/us/en/support.html>

HPE Pointnext operational services: <https://www.hpe.com/us/en/services/operational.html>

Defective Media Retention (DMR) and Comprehensive Defective Material Retention

If your business deals with sensitive or legally protected data, you know that it's not a simple matter to return a defective hardware component, but keeping it conflicts with the terms and conditions of many standard warranty agreements. If you don't return the component, you'll be charged for the replacement part.

HPE Tech Care services are available with defective media retention of failed hard drives and comprehensive defective material retention of those other data-retentive components, such as memory, switches, processors and more. This may be purchased as an optional add-on to your HPE Tech Care service purchase. This service is critical for customers who:

- Need to control and secure their classified, proprietary and confidential data.
- Are subject to current data privacy regulations.
- Want a simpler, more cost-effective solution when choosing not to return a malfunctioning disk drive or other data retentive component.

For more information on our data privacy services, see

<https://www.hpe.com/us/en/services/platform-consulting-services.html>



Service and Support

HPE Support Center

Hewlett Packard Enterprise provides several tools that make it simpler to get help from HPE:

HPE Support Center is personalized online support portal with access to information, tools and experts to support Hewlett Packard Enterprise business products. Submit support cases online, chat with Hewlett Packard Enterprise experts, access support resources or collaborate with peers. Learn more: <https://www.hpe.com/us/en/services/datacenter-hybrid-services.html>

The HPE Support Center Mobile App allows you to resolve issues yourself or quickly connect to an agent for live support. Now, you can get access to personalize IT support anywhere, anytime.

HPE Support Center are available at no additional cost with a Hewlett Packard Enterprise warranty, HPE Pointnext operational or Hewlett Packard Enterprise contractual support agreement.

Notes: HPE Support Center Mobile App is subject to local availability.

For more information

To learn more on HPE Moonshot System, please contact your Hewlett Packard Enterprise sales representative.

Parts and Materials

Hewlett Packard Enterprise will provide HPE-supported replacement parts and materials necessary to maintain the covered hardware product in operating condition, including parts and materials for available and recommended engineering improvements.

Parts and components that have reached their maximum supported lifetime and/or the maximum usage limitations as set forth in the manufacturer's operating manual, product QuickSpecs, or the technical product data sheet will not be provided, repaired, or replaced as part of these services.

The defective media retention service feature option applies only to Disk or eligible SSD/Flash Drives replaced by Hewlett Packard Enterprise due to malfunction.



Technical Specifications

Product Specifications Hardware	Ports	Forty-five (45) 10 Gb Ethernet downlink ports Four (4) 40 Gb Ethernet uplink ports One (1) serial console interface accessible through the uplink module One (1) internal serial interfaces to iLO Chassis Manager for use through the Virtual Serial Port (VSP)
	Performance	Throughput 14.8 million pps per 10G port; 59.2 million pps per 40G port
Memory Indicators / Switch	Switching Capacity	640 Gbps
		2 GB SDRAM; 128 MB flash; 9 MB packet buffer
Physical Characteristics	Length	14.82 in (376 mm)
	Width	6.75 in (141 mm)
	Height	1.44 in (37 mm)
	Weight	1.707 kg (3.76 lbs)
	Environmental Ranges	Temperature Range
Power Consumption	Operating	50° to 95° F (10° to 35° C)
	Non-operating	-22° to 140° F (-30° to 60° C)
	Relative Humidity (non-condensing)	
	Operating	10% to 90%
	Non-operating	5% to 95%
	Altitude	
	Operating	10,000 ft. (3048 m)
	Non-operating	30,000 ft. (9144 m)
	Typical	60W
	Maximum	100W



Technical Specifications

Standards Support

General Protocols

- IEEE 802.1ag Service Layer OAM
- IEEE 802.1D MAC Bridges
- IEEE 802.1p Priority
- IEEE 802.1Q VLANs
- IEEE 802.1Qbg Virtual Edge Bridging
- IEEE 802.1s (MSTP)
- IEEE 802.1v
- VLAN classification by Protocol and Port
- IEEE 802.1w Rapid Reconfiguration of Spanning Tree
- IEEE 802.1X PAE
- IEEE 802.1AX / 802.3ad Link Aggregation Control Protocol (LACP)
- IEEE 802.3ae 10 Gigabit Ethernet
- IEEE 1588 v2 Precision Time Protocol (PTP)
- RFC 768 UDP
- RFC 792 ICMP
- RFC 793 TCP
- RFC 826 ARP
- RFC 854 TELNET
- RFC 925 Multi-LAN Address Resolution
- RFC 951 BOOTP
- RFC 1058 RIPv1
- RFC 1350 TFTP Protocol (revision 2)
- RFC 1519 CIDR
- RFC 1542 BOOTP Extensions
- RFC 2131 DHCP
- RFC 2453 RIPv2
- RFC 3768 VRRP
- RFC 4675 RADIUS VLAN & Priority
- 802.1r GARP Proprietary Attribute Registration Protocol (GPRP)

DCB

- 802.1Qaz DCBX
- 802.1Qaz ETS
- 802.1Qbb PFC

IP Multicast

- RFC 2934 Protocol Independent Multicast MIB for IPv4
- RFC 3376 IGMPv3 (host joins only)
- RFC 3618 Multicast Source Discovery Protocol (MSDP)
- RFC 4601 PIM Sparse Mode

IPv6

- RFC 4443 ICMPv6
- RFC 4541 IGMP & MLD Snooping Switch
- RFC 4861 IPv6 Neighbor Discovery
- RFC 4862 IPv6 Stateless Address Auto-configuration

Layer 3

- Static routes
- RIP / RIPng
- OSPF / OSPFv3



Technical Specifications

- BGP / BGP+
- IPv6 tunneling
- PIM-SM
- PIM-SSM
- PIM-DM
- IGMP
- ECMP
- Policy-based routing
- DHCP and DHCPv6 client

MIBs

- IEEE 8021ag CFM-MIB
- IEEE 8021Q CFM-MIBv2
- IEEE 8021AB LLDP-MIB
- IEEE 8021AB LLDP-EXT-DOT1-MIB
- IEEE 8021AB LLDP-EXT-DOT3-MIB
- ANSI/TAA 1057 LLDP-EXT-MED-MIB
- IEEE 8023 LAG-MIB
- RFC 1213 MIB
- RFC 1493 BRIDGE-MIB
- RFC 2096 IP-FORWARD-MIB
- RFC 2233 IF-MIB
- RFC 2273 SNMP-NOTIFICATION-MIB
- RFC 2571 SNMP-FRAMEWORK-MIB
- RFC 2572 SNMP-MPD-MIB
- RFC 2573 SNMP-TARGET-MIB
- RFC 2674 P-BRIDGE-MIB
- RFC 2674 Q-BRIDGE-MIB
- RFC 3414 SNMP-USER-BASED-SM-MIB
- RFC 3415 SNMP-VIEW-BASED-ACM-MIB
- RFC 3417 SNMPv2-TM-MIB
- RFC 3418 SNMPv2-MIB
- RFC 3826 SNMP-USM-AES-MIB
- RFC 4022 TCP-MIB
- RFC 4044 FC-MGMT-MIB
- RFC 4113 UDP-MIB
- RFC 4133 ENTITY-MIB
- RFC 4273 BGP4-MIB
- RFC 4747 T11-FC-VIRTUAL-FABRIC-MIB
- RFC 4750 OSPF-MIB
- RFC 4750 OSPF-TRAP-MIB
- RFC 4936 T11-FC-ZONE-SERVER-MIB
- SFLOW-MIB (V5)



Technical Specifications

Safety and Compliance

Safety Certifications

- Complies with UL 60950-1, CAN/CSA C22.2 No. 60950-1 and EN 60950-1. UL certified.
- CE Marking
- RoHS 6/6 compliant

Emissions Classifications (EMC)

Class A

Environment-friendly Products and Approach

End-of-life Management and Recycling

Hewlett Packard Enterprise offers end-of-life Hewlett Packard Enterprise product return, trade-in, and recycling programs in many geographic areas. For trade-in information, please go to:

<https://www.hpe.com/us/en/about/environment/product-recycling.html>.

To recycle your product, please go to: <https://www.hpe.com/us/en/about/environment/product-recycling.html> or contact your nearest Hewlett Packard Enterprise sales office. Products returned to Hewlett Packard Enterprise will be recycled, recovered or disposed of in a responsible manner.

The EU WEEE directive (2002/95/EC) requires manufacturers to provide treatment information for each product type for use by treatment facilities. This information (product disassembly instructions) is posted on the Hewlett Packard Enterprise web site at: <https://www.hpe.com/us/en/about/environment/product-recycling.html>. These instructions may be used by recyclers and other WEEE treatment facilities as well as HPE OEM customers who integrate and re-sell Hewlett Packard Enterprise equipment.



Summary of Changes

Date	Version History	Action	Description of Change
15-Nov-2021	Version 8	Changed	Service and Support section was updated.
07-Oct-2019	Version 7	Changed	Overview section was updated.
04-Mar-2019	Version 6	Changed	Standard Features and Compatibility sections were updated
07-Jan-2019	Version 5	Changed	Overview and Service and Support sections were updated
23-Oct-2017	Version 4	Changed	Care Pack naming and Service and Support- Parts and Materials updated.
21-Oct-2016	Version 3	Changed	Update for Rebranding
30-Sep-2014	Version 2	Changed	Changes Made throughout the QuickSpecs
29-Sep-2014	Version 1	New	New QuickSpecs



Copyright

Make the right purchase decision.
Contact our presales specialists.



Chat



Email



Call



Get updates



© Copyright 2021 Hewlett Packard Enterprise Development LP. The information contained herein is subject to change without notice. The only warranties for Hewlett Packard Enterprise products and services are set forth in the express warranty statements accompanying such products and services. Nothing herein should be construed as constituting an additional warranty. Hewlett Packard Enterprise shall not be liable for technical or editorial errors or omissions contained herein.

c04384058 - 15071 - Worldwide - V8 - 15-November-2021