

HPE Moonshot Uplink Module Installation Instructions

for the HPE Moonshot 1500 Chassis

Overview

This document provides instructions for installing an uplink module into the HPE Moonshot 1500 chassis.

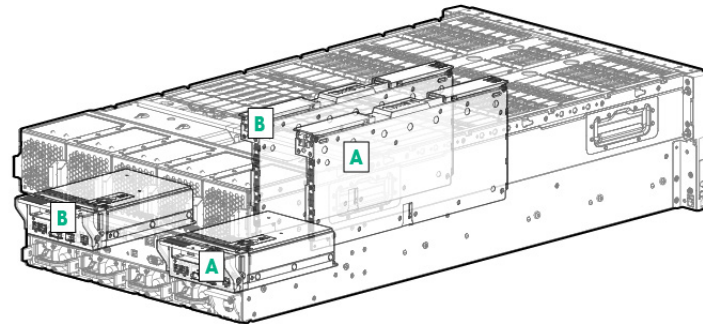
Kit contents

- HPE Moonshot Uplink Module
- Warranty documentation
- This document

Installation information and guidelines

Observe the following information:

- Always install the switch module and the uplink module in corresponding bays. Both components must be installed for normal operation.

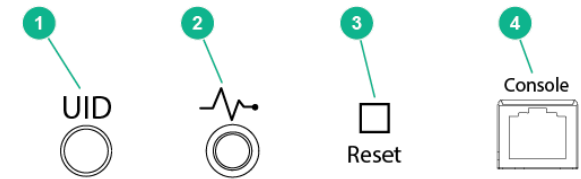


- When the chassis is powered, Hewlett Packard Enterprise recommends installing the uplink module before the switch module. If the switch module is installed before the uplink module, the switch reboots after the uplink module is installed.
- The uplink module receives power when the switch module is installed.
- Always use the recommended firmware version. For current information on recommended firmware versions, see the Hewlett Packard Enterprise website (<http://www.hpe.com/info/moonshot/download>).
- For the most current product information, see the Hewlett Packard Enterprise Information Library (<http://www.hpe.com/info/moonshot/docs>).

Hewlett Packard Enterprise product QuickSpecs

For more information about product features, specifications, options, configurations, and compatibility, see the product QuickSpecs on the Hewlett Packard Enterprise website (<http://www.hpe.com/info/qs>).

Uplink module buttons and LEDs



Item	Component	Description / Status
1	Uplink module UID LED/button	Solid blue = Switch module ID is selected. Flashing blue = Switch module firmware update is in progress. Off = Switch module ID is not selected.
2	Uplink module health LED	Green = Normal operation Flashing amber = Degraded condition Flashing red = Critical condition Off = No power
3	Reset button	Resets the switch module
4	Serial console port	For management of the switch module port

Hewlett Packard Enterprise Information Library

For specific information on the uplink module see the Hewlett Packard Enterprise Information Library (<http://www.hpe.com/support/Apollo2000/docs>).

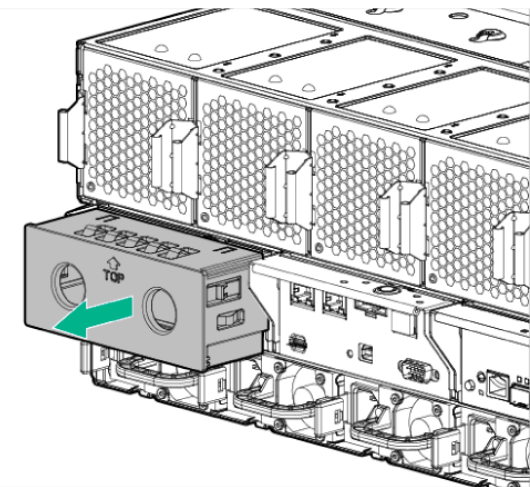
Installing the uplink module



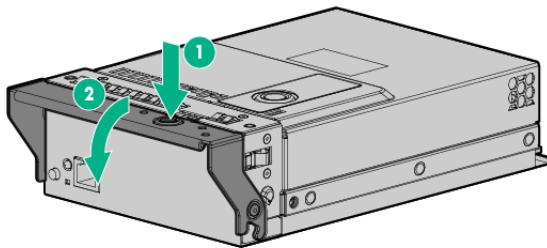
IMPORTANT: To avoid connectivity loss, do not remove any network cables or uplink modules already in operation.

To install the uplink module:

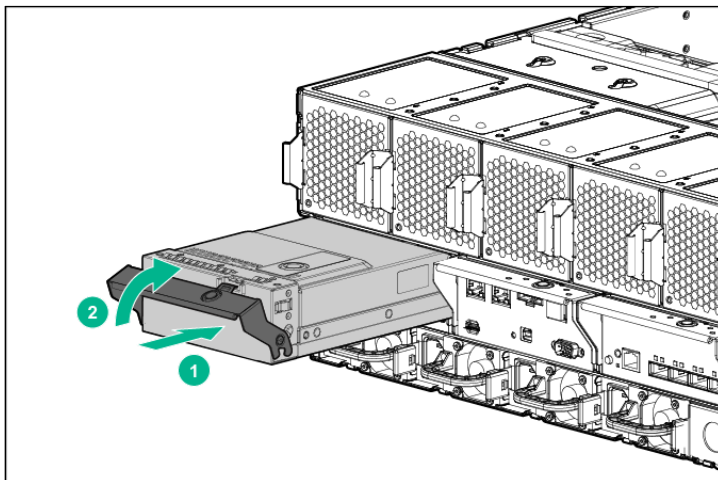
1. Remove the uplink module bay blank.



2. Prepare the uplink module for installation.



3. Install the uplink module.



4. Do one of the following:
 - o If the switch module is already installed, verify the uplink module powers on and the health LED is green.
 - o If the switch module is not installed, install the switch module before verifying LEDs.

For more information, see the "Installation information and guidelines (on page 1)."

After both components have been installed, verify the switch firmware is at the recommended firmware version. For more information, see the Hewlett Packard Enterprise website (<http://www.hpe.com/info/moonshot/download>).

The installation is complete.

Access the CLI locally

1. Use a console cable to connect a PC or terminal to the serial console port on the uplink module.
2. Configure the terminal with the following settings:
 - o 115200 baud rate
 - o 8 data bits
 - o No parity
 - o 1 stop bit
 - o No flow control
3. Start the terminal.

The switch login prompt appears.

Safety and regulatory compliance

For important safety, environmental, and regulatory information, see *Safety and Compliance Information for Server, Storage, Power, Networking, and Rack Products*, available at the Hewlett Packard Enterprise website

(<http://www.hpe.com/support/Safety-Compliance-EnterpriseProducts>).

European Union regulatory notice



Products bearing the CE marking comply with one or more of the following EU Directives, as may be applicable:

- Low Voltage Directive 2006/95/EC
- EMC Directive 2004/108/EC
- Ecodesign Directive 2009/125/EC
- R&TTE Directive 1999/5/EC
- RoHS Directive 2011/65/EU

Compliance with these directives is assessed using applicable European Harmonised Standards.

The full Declaration of Conformity can be found at the following Hewlett Packard Enterprise website (<http://www.hpe.com/eu/certificates>). (Search with the product model name or its Regulatory Model Number (RMN), which may be found on the regulatory label.)

The point of contact for regulatory matters is Hewlett Packard Enterprise GmbH, Dept./MS: HQ-TRE, Herrenberger Strasse 140, 71034 Boeblingen, GERMANY.

Documentation feedback

Hewlett Packard Enterprise is committed to providing documentation that meets your needs. To help us improve the documentation, send any errors, suggestions, or comments to Documentation Feedback (<mailto:docsfeedback@hpe.com>). When submitting your feedback, include the document title, part number, edition, and publication date located on the front cover of the document. For online help content, include the product name, product version, help edition, and publication date located on the legal notices page.