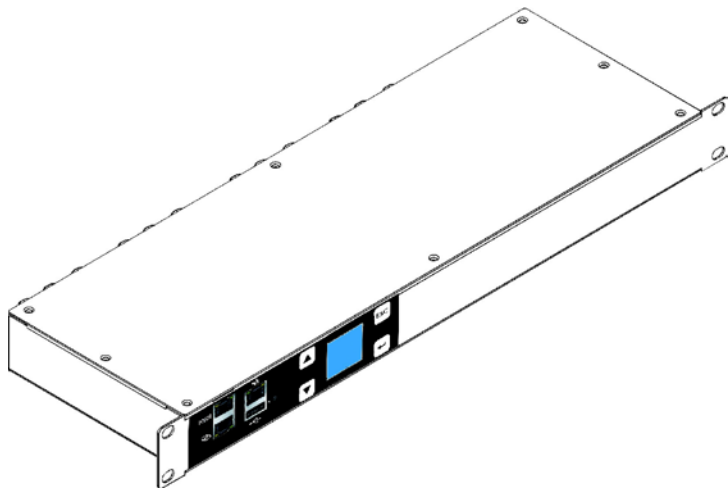


Overview

HPE Metered Power Distribution Units (PDU)

HPE Metered Power Distribution Units (PDU) provide rack level power monitoring over the network. With billing grade accuracy these PDUs are excellent choices for data centers wanting to make the most of circuit capacity or for co-location facilities needing to precisely track power usage for billing purposes.

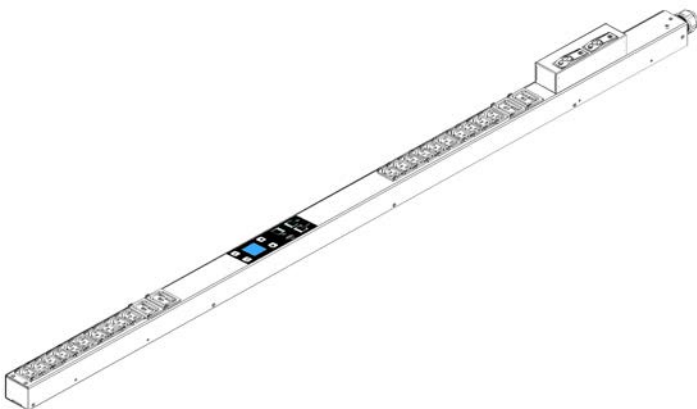
The low profile single piece design on these PDU's provides multiple mounting options and ease of access to rear devices for maintenance. They are designed for HPE racks but will also work in a large variety of third party racks as well using standard button and keyhole mounting. They can be installed on either side of the rack with outlets facing the back of the rack for easy access and improved clearance. Also for higher power density they can be installed side by side on both sides of the rack with the outlets facing in towards the center of the rack. HPE Metered PDUs are available in 1U and vertical form factors in single and 3-phase models and are back by the Hewlett Packard Enterprise limited 3-year warranty.



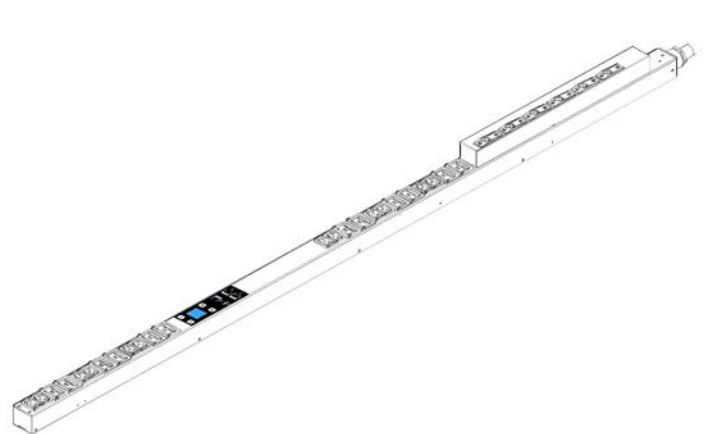
1U Models (D9N46A shown)



Half Height Models (D9N45A shown)



Mid Height Models (D9N47A/D9N48A shown)



Full Height Models (D9N58A/D9N59A shown)

Models

Vertical PDU Models

Single Phase, Half Height (22U)

HPE Metered 4.9kVA/L6-30P 24A/208V Outlets (12) C13/Vertical NA/JP PDU G9Z05A

HPE Metered 7.3kVA/60309 3-wire 32A/230V Outlets (12) C13/Vertical INTL PDU G9Z06A

Three Phase, Half Height (22U)

HPE Metered 3.6kVA/60320 C20 Detachable 16A/230V Outlets (16) C13/Vertical WW PDU D9N45A

Single Phase, Mid Height (36U)

HPE Metered 4.9kVA/L6-30P 24A/208V Outlets (20) C13 (4) C19/Vertical NA/JP PDU D9N47A

HPE Metered 7.3kVA/60309 32A 3-wire/230V Outlets (20) C13 (4) C19/Vertical INTL PDU D9N48A

Three Phase, Mid Height (36U)

HPE Metered 3Ph 5.7kVA/L21-20P 16A/120-208V Outlets (13) C13 (3)5-20R/Vertical NA/JP PDU D9N52A

HPE Metered 3Ph 8.6kVA/L21-30P 24A/120-208V Outlets (18) C13 (3) C19 (3) 5-20R/Vertical NA/JP PDU D9N53A

HPE Metered 3Ph 8.6kVA/L15-30P 24A/208V Outlets (18) C13 (3) C19/Vertical NA/JP PDU D9N51A

HPE Metered 3Ph 11kVA/60309 5-wire 16A/230V Outlets (18) C13 (3) C19/Vertical INTL PDU D9N55A

Single Phase, Full Height (42U)

HPE Metered 7.3kVA/60309 32A 3-wire/230V Outlets (32) C13 (4) C19/Vertical INTL PDU D9N50A

HPE Metered 8.3kVA/CS8265C 40A/208V Outlets (30) C13 (3) C19/Vertical NA PDU D9N49A

Three Phase, Full Height (42U)

HPE Metered 3Ph 19.9kVA/L22-30P 24A/277V Outlets (30) RF-203P-HP/Vertical NA PDU D9N63A

HPE Metered 3Ph 11kVA/60309 5-wire 16A/230V Outlets (30) C13 (3) C19/Vertical INTL PDU D9N57A

HPE Metered 3Ph 16.6kVA/60309 32A-30A 5-wire 24A/230V Outlets (30) C13 (3) C19/Vertical NA/JP PDU D9N61A

HPE Metered 3Ph 17.3kVA/60309 60A 4-wire 48A/208V Outlets (24) C13 (3) C19/Vertical NA/JP PDU D9N54A

HPE Metered 3Ph 22kVA/60309 5-wire 32A/230V Outlets (30) C13 (3) C19/Vertical INTL PDU D9N56A

HPE Metered 3Ph 14.4kVA/CS8365C 40A/208V Outlets (12) C13 (12) C19/Vertical NA/JP PDU D9N58A

HPE Metered 3Ph 16.6kVA/60309 32A-30A 5-wire 24A/230V Outlets (12) C13 (12) C19/Vertical NA/JP PDU D9N62A

HPE Metered 3Ph 17.3kVA/60309 60A 4-wire 48A/208V Outlets (12) C13 (12) C19/Vertical NA/JP PDU D9N59A

HPE Metered 3Ph 17.3kVA/60309 60A 4-wire WT 48A/208V Outlets (12) C13 (12) C19/Vertical NA/JP PDU G9Z07A

HPE Metered 3Ph 22kVA/60309 5-wire 32A/230V Outlets (12) C13 (12) C19/Vertical INTL PDU D9N60A

HPE Metered 3Ph 22kVA/60309 5-wire WT 32A/230V Outlets (12) C13 (12) C19/Vertical INTL PDU G9Z08A

Horizontal PDU Models

Single Phase, 1U

HPE Metered 2.8kVA/L5-30P 24A/120V Outlets (12) 5-20R/Horizontal NA/JP PDU D9N43A

HPE Metered 3.6kVA/60320 C20 Detachable 16A/230V Outlets (12) C13/Horizontal WW PDU D9N46A

HPE Metered 4.9kVA/L6-30P 24A/208V Outlets (12) C13/Horizontal NA/JP PDU D9N44A

Standard Features

Key Features List

- Remote power monitoring with billing grade 99% accuracy
- Inlet and load segment power monitoring
- Local or LDAP authentication
- LCD Display on the PDU for local monitoring
- Ultra-thin one piece design does not interfere with rear maintenance
- 1U and vertical form factors with flexible mounting options
- Industry standard button and keyhole mounting of vertical models for easy drop in installation
- Color coded load segment designations
- Daisy chain up to 2 PDUs on the same IP address
- Optional environment sensor measures temperature and humidity
- Models range from 2.8kVA to 22kVA

Billing grade accuracy

All HPE Metered PDUs meet IEC 62053-21, Class 1 standards for $\pm 1\%$ or better accuracy in power monitoring of:

- Amperage
- Voltage
- Wattage
- Kilowatts per hour

Accurate inlet and load segment power monitoring improves circuit utilization and provide information that can help balance power throughout the data center to maximize efficiency and cooling.

A LCD screen on the HPE Metered PDU provides local monitoring and local alert indications.

Remote monitoring and management is available via Telnet or a standard web browser.

Flexible Software

- Easy to use CLI and web interfaces
- Local and LDAP security with multiple access levels
- HTTP, HTTPS, Telnet/SSH protocols
- IPv4 and IPv6 compatible
- SNMPv1 and SNMPv3 compatible
- Email alert notifications
- User settable alert thresholds
- Event logs

Multiple models for flexible installation

The HPE Metered PDUs are available in four form factors for a variety of racks and environments. All HPE Metered PDUs can be mounted to stay completely out of the critical rear maintenance path needed to service IT equipment in the rack. All vertical models use industry standard button and keyhole mounting for simple drop in installation in HPE Advanced and Enterprise Series racks and many third party racks.

1U PDUs

Mounts in 1U of space in any EIA standard rack. Available in either a low voltage model with twelve NEMA 5-20 receptacles or high voltage models with twelve IEC C13 outlets.

Standard Features

Vertical PDUs

- A variety of sizes meet the needs of many environments
- Mounts vertically on either side in the rear of the rack using industry standard button and keyhole mounting.
- Standard mounting faces the outlet towards the rear of the rack. This configuration fully prevents interference in the maintenance zone between rear RETMA rails.
- Using the optional configuration of facing the outlets into the rack, multiple PDUs can be mounted on one side of the rack for higher power density.*

NOTE: Facing the outlets into the rack will interfere with the lower few rack U spaces of the rear maintenance zone due to breakers on the PDUs.

Vertical PDU Form Factors

- **Half Height PDU**
 - Designed to fit in 22U and taller racks
 - Up to 4 Half Height PDUs can be mounted in one side of a 42U or 47U rack using the optional inward facing configuration.
- **Mid Height PDUs**
 - Designed to fit in 36U and taller racks
 - New Three Phase Dual Voltage models provide three NEMA 5-20 convenience outlets for low voltage equipment in high voltage racks.
- **Full Height PDUs**
 - Designed for 42U and taller racks.
- **480V PDUs**
 - Full height form factor for 42U and taller racks
 - 480V three phase 5 wire input provides 277V single phase output.
 - Unique outlets prevent connection of non-277V compatible equipment.

NOTE: When mounted in the standard rear facing configuration only 1 Mid or Full Height PDU can be mounted per side of the rack. Up to 2 Half Height PDUs can be mounted per side in the standard rear facing configuration in a 42U or taller rack.

Environmental monitoring

An optional environmental sensor attaches to the HPE Metered PDU and can measure air temperature and humidity in the front or rear of the rack. The environmental sensor will send alerts over the network based on user defined thresholds.

Easy Installation and compatibility

Standard button and keyhole mounting provides simple drop in installation in HPE Advanced Series racks, Enterprise Series Racks, and many third party racks.

Warranty

HPE Metered PDUs are backed by a limited 3-year warranty.
HPE Metered PDUs automatically assume the Foundation Care coverage level of any covered ProLiant server in the same rack.

Service and Support

HPE Support Services Support services provide a range of life cycle support options that let you choose the service levels that meet your business requirements, from basic to mission-critical.

A full range of Hewlett Packard Enterprise hardware and software services are available including:

- Installation and start up
- Education courses
- Extended onsite hardware coverage hours from same business day 13 hours, 5 day to 24 hours, 7 days call window with options including 4-hour response or 6-hour Call To Repair
- Comprehensive range of software technical support for Microsoft, Linux, ProLiant Essentials and VMWare-based IT solutions helping to deliver high level of application availability. Response times range from 30 mins for critical problems to 2 hours.
- System Management, Performance Services and Mission Critical Support Solution

NOTE: For more information on Hewlett Packard Enterprise support services, contact any of our worldwide sales offices or resellers or visit our worldwide Web site on the internet at:

<http://www.hp.com/hps/carepack>

NOTE: For more complete information on Hewlett Packard Enterprise Services offerings, customers and resellers, please visit us at: **<http://www.hp.com/hps>**

NOTE: Additional information regarding worldwide limited warranty and technical support is available at: **<http://h18004.www1.hp.com/products/servers/platforms/warranty/index.html>**

Related Options

HPE Environmental Sensor for Remote Monitoring PDUs	HP Environmental Sensor for Remote Monitored and Managed PDUs	E2D53A
	<ul style="list-style-type: none"> • Hot installable and hot swappable • User selectable alarm thresholds • Measure temperature from 32oF to 158oF (0oC to 70oC) with an accuracy of ±3.6oF (±2oC) • Measures relative humidity from 10% to 90% with an accuracy of ±5% • Supports normally open and normally closed contact devices 	

NOTE: The HPE Environmental Sensor comes with a 6 foot RJ45-RJ45 cable and can be mounted in various locations within the rack using the supplied Velcro strips or mounting screw. RJ45 cables up to 30 feet (9.1m) long may be used.

NOTE: One environmental sensor may be installed per HPE Metered PDU.

HPE Country specific C19 PDU Inlet Cords for D9N45A and D9N46A (required)	HP C19 - Nema L6-20P NA/JP 250V 20Amp High Voltage 3.6m Power Cord	AF593A
	HP C19 - NBR-14136 BR 250V 16Amp 2.5m Power Cord	AF592A
	HP C19 - GB-1002 CN 250V 16Amp 2.5m Power Cord	AF584A
	HP C19 - IS-1293 IN/PK/BD 250V 16Amp 2.5m Power Cord	AF582A
	HP C19 - ISI-32 IL 250V 16Amp 2.5m Power Cord	AF583A
	HP C19 - AS3112-3 AU/NZ 250V 15Amp 3.6m Power Cord	AF577A
	HP C19 - IEC-309 DK/SE/AR 250V 16Amp 3.6m Power Cord	AF581A
	HP C19 - CEE-VII EU 250V 16Amp 3.6m Power Cord	AF576A
	HP C19 - CEI-23-50 IT/CL 250V 16Amp 3.6m Power Cord	AF580A
	HP C19 - SABS-164 ZA 250V 16Amp 3.6m Power Cord	AF579A
	HP C19 - BS-1363/A UK/HK/SG 250V 13Amp 3.6m Power Cord	359615-031
	HP 240 VAC 4.5M Unterminated End NA Power Cord	E7806A

HPE Jumper Cables	HP C13 - C14 WW 250V 10A Gray 0.7m Jumper Cord	A0K03A
	HP C13 - C14 WW 250V 10Amp 0.7m Jumper Cord	142257-B28
	HP C13 - C14 WW 250V 10Amp 1.4m Jumper Cord	142257-006
	HP C13 - C14 WW 250V 10A Gray 1.37m Jumper Cord	A0K04A
	HP C13 - C14 WW 250V 10Amp 1.4m 15 pc Jumper Cord	142257-007
	HP C13 - C14 WW 250V 10Amp 2.0m Jumper Cord	A0K02A
	HP C13 - C14 WW 250V 10Amp Flint Gray 2.0m Jumper Cord	AF573A
	HP C13 - C14 WW 250V 10Amp 2.5m Jumper Cord	142257-002
	HP C13 - C14 WW 250V 10Amp 3.0m Jumper Cord	142257-003
	HP C13 - C14 WW 250V 10A Gray 3.0m Jumper Cord	A0K06A
	HP C20 - C13 WW 250V 15Amp 2.0m Jumper Cord	AF590A
	HP C19 - C20 WW 250V 16Amp Flint Gray 1.20m Jumper Cord	AF575A
	HP C19 - C20 WW 250V 16Amp Flint Gray 2.0m Jumper Cord	AF574A
	HP C19 - C20 WW 250V 16Amp 2.5m Jumper Cord	295633-B22
	HP 200-250V 10A C15 to C14 .76m Jumper Cable	E7807A

HPE Mounting Brackets	HP Vertical PDU 10K G2 Mounting Kit	H6L32A
	NOTE: Allows HPE Basic and Remote Monitoring PDU vertical models to be mounted in HPE 10000 G2 series racks and in the HPE Basic Series rack. This	

Related Options

bracket is not needed for mounting in the HPE Advanced or Enterprise Series racks. PDUs may interfere with the rear maintenance zone when using these brackets.

HPE 277 Volt options for D9N63A	HP LS-26 to LS-25 277 Volt 15Amp AC 0.76m Jumper Cord	TK801A
	HP LS-26 to LS-25 277 Volt 15Amp AC 1.37M Jumper Cord	TK802A
	HP 800VA - 277V Input / 230V Output NA Rack Mount Transformer	H3X09A
NOTE: 720 watt, 2U transformer converts 277V to 230V for up to 4 devices.		
NOTE: Cord lengths listed are total length including connectors.		
HPE LS26 to LS-25 jumper cables are compatible with the following 94% efficient HPE Common Slot power supplies		
	HP 500W Common Slot 277VAC Hot Plug Power Supply Kit	717362-B21
	HP 750W Common Slot 277VAC Hot Plug Power Supply Kit	717364-B21
	HP 1200W Common Slot 277VAC Hot Plug Power Supply Kit	717359-B21

Model Selection Matrix

1U Horizontal Models							
Model	Part Number	Input Circuit	Current Maximum	Load capacity	Input Connection	Output circuit breakers	Outlet Connections
2.8kVA PDU	D9N43A	100-120V 30A	24A	2880VA @120V	8ft(2.4m) cord with attached NEMA L5-30P	2 x 20A	12 x NEMA 5-20R
3.6kVA PDU	D9N46A	200-240V 16-20A	16A	3680VA @230V	Detachable input power cord with an IEC 320-C20 inlet on PDU*	n/a	12 x IEC C13
4.9kVA PDU	D9N44A	200-240V 30A	24A	4992VA @208V	8ft(2.4m) cord with attached NEMA L6-30P	2 x 20A	12 x IEC C13
Half Height Vertical Models							
Model	Part Number	Input Voltage	Current Maximum	Load capacity	Input Connection	Output circuit breaker	Outlet Connections
3.6kVA PDU	D9N45A	200-240V 16-20A	16A	3680VA @230V	Detachable input power cord with an IEC 320-C20 inlet on PDU*	n/a	16 x IEC C13
4.9kVA PDU	G9Z05A	200-240V 30A	24A	4992VA @208V	10ft(3m) cord with attached NEMA L6-30P	2 x 20A	12 x IEC C13
7.3kVA PDU	G9Z06A	200-240V 32A	32A	7360VA @230V	10ft(3m) cord with attached IEC 332P6 Splash proof	2 x 16A	12 x IEC C13
Mid Height Vertical Models							
Model	Part Number	Input Voltage	Current Maximum	Load capacity	Input Connection	Output circuit breaker	Outlet Connections
4.9kVA PDU	D9N47A	200-240V 30A	24A	4992VA @208V	8ft(2.4m) cord with attached NEMA L6-30P	2 x 20A	20 x IEC C13 4 x IEC C19
7.3kVA PDU	D9N48A	200-240V 32A	32A	7360VA @230V	8ft(2.4m) cord with attached IEC 332P6 Splash proof	2 x 16A	20 x IEC C13 4 x IEC C19
5.7kVA Dual Voltage PDU	D9N52A	200-208V 20A 3 Phase WYE	27.7A	5764VA @208V 3 Phase	8ft(2.4m) cord with attached NEMA L21-20P	n/a	18 x IEC C13 3 x NEMA 5-20R
8.6kVA Dual Voltage PDU	D9N53A	200-208V 30A 3 Phase WYE	41.5A	8646VA @208V 3 Phase	8ft(2.4m) cord with attached NEMA L21-30P	3 x 20A	18 x IEC C13 3 x IEC C19 3 x NEMA 5-20R
8.6kVA PDU	D9N51A	200-208V 30A	41.5A	8646VA @208V	8ft(2.4m) cord with attached NEMA 15-30P	3 x 20A	18 x IEC C13 3 x IEC C19

Model Selection Matrix

		3 Phase Delta		3 Phase			
11kVA PDU	D9N55A	380-415V 16A 3 Phase WYE	16A/phase	11040VA @ 400V 3 Phase	8ft(2.4m) cord with attached IEC 516P6 Splash proof	n/a	18 x IEC C13 3 x IEC C19

Full Height Vertical Models

Model	Part Number	Input Voltage	Current Maximum	Load capacity	Input Connection	Output circuit breaker	Outlet Connections
7.3kVA PDU	D9N50A	200-240V 32A	32A	7360VA @230V	8ft(2.4m) cord with attached IEC 332P6 Splash proof	2 x 16A	32 x IEC C13 4 x IEC C19
8.3kVA PDU	D9N49A	200-240V 50A	40A	8320VA @208V	8ft(2.4m) cord with attached CS8265C	3 x 20A	30 x IEC C13 3 x IEC C19
11kVA PDU	D9N57A	380-415V 16A 3 Phase WYE	16A/phase	11040VA @ 400V 3 Phase	8ft(2.4m) cord with attached IEC 516P6 Splash proof	n/a	30 x IEC C13 3 x IEC C19
16.6kVA PDU	D9N61A	380-415V 30A 3 Phase WYE	24A/phase	16560VA @ 400V 3 Phase	8ft(2.4m) cord with attached IEC 532P6 Splash proof	6 x 20A	30 x IEC C13 3 x IEC C19
17.3kVA PDU	D9N54A	200-208V 60A 3 Phase Delta	83.04A	17292VA @ 208V 3 Phase	8ft(2.4m) cord with attached IEC 460P9 Splash proof	6 x 20A	24 x IEC C13 3 x IEC C19
22kVA PDU	D9N56A	380-415V 32A 3 Phase WYE	32A/phase	22080VA @ 400V 3 Phase	8ft(2.4m) cord with attached IEC 532P6 Splash proof	6 x16A	30 x IEC C13 3 x IEC C19
14.4kVA PDU	D9N58A	200-208V 50A 3 Phase Delta	69.28A	14410VA @ 208V 3 Phase	8ft(2.4m) cord with attached CS8365C	6 x 20A	12 x IEC C13 12 x IEC C19
16.6kVA PDU	D9N62A	380-415V 30A 3 Phase WYE	24A/phase	16560VA @ 400V 3 Phase	8ft(2.4m) cord with attached IEC 532P6 Splash proof	6 x 20A	12 x IEC C13 12 x IEC C19
17.3kVA PDU	D9N59A	200-208V 60A 3 Phase Delta	83.04A	17292VA @ 208V 3 Phase	8ft(2.4m) cord with attached IEC 460P9 Splash proof	6 x 20A	12 x IEC C13 12 x IEC C19
17.3kVA PDU	G9Z07A	200-208V 60A 3 Phase Delta	83.04A	17292VA @ 208V 3 Phase	10ft(3m) cord with attached IEC 460P9W IP67 Watertight	6 x 20A	12 x IEC C13 12 x IEC C19

Model Selection Matrix

22kVA PDU	D9N60A	380-415V 32A 3 Phase WYE	32A/phase	22080VA @ 400V 3 Phase	8ft(2.4m) cord with attached IEC 532P6 Splash proof	6 x16A	12 x IEC C13 12 x IEC C19
22kVA PDU	G9Z08A	380-415V 32A 3 Phase WYE	32A/phase	22080VA @ 400V 3 Phase	10ft(3m) cord with attached IEC 532P6W IP67 Watertight	6 x16A	12 x IEC C13 12 x IEC C19

480/277 Volt Model

19.9kVA PDU	D9N63A	480V 30A 3 Phase WYE	24A /phase	19944VA @480V 3 Phase	8ft(2.4M) cord with attached NEMA L22- 30P	6 x 20A	30 x RF203P-HPE (LS-26)
-------------	--------	-------------------------	------------	-----------------------------	--	---------	----------------------------

* HPE Metered PDU models D9N45A and D9N46A require an IEC 320-C19 to country specific plug inlet cord which is sold separately.

Disclaimer: HPE makes no recommendations regarding power connector manufactures. Please consult a licensed professional to determine the best connector or receptacle for your specific needs.

Model Selection Matrix

Voltage	Amps	# Wires	Plug Name	Sample Plug Image (color may vary by manufacturer)	
100-125 V Single Phase	20 A	3	NEMA L5-20P		
	30 A	3	NEMA L5-30P		
200-240 V Single Phase	20 A	3	IEC C20		
	20 A	3	NEMA L6-20P		
	30 A	3	NEMA L6-30P		
	32 A	3	IEC 309 32A, 2Pole, 3Wire		
	20 A	5	NEMA L21-20P		
208 V Three Phase	16 A	5	IEC 309 16 A, 3Pole, 5Wire		
	30 A	5	NEMA L21-30P		
	50 A	4	CS8365C		
	60 A	4	IEC 309 60A, 3Pole, 4Wire		
400 - 415 V Three Phase	32 A	5	IEC 309 32 A, 3Pole, 5Wire		

Technical Specifications

All PDUs

Operating Temperature (INTL and WW models)	50° to 122° F (10° to 50° C)
Operational Temperature (NA and NA/JPN models)	50° to 140° F (10° to 60° C)
Operating Relative Humidity (%)	10% to 90%
Operating Elevation	0 to 10,000 ft (0 to 3048 m)
Storage Temperature	-4° to 140° F (-20° to 60° C)
Storage Relative Humidity (%)	5% to 95%
Storage Elevation	0 to 30,000 ft (0 to 9144 m)
Input Plug Length (D9NxxA attached cord units)	96 inches (243.8 cm)
Input Plug Length (G9Z07A and G9Z08A)	120 inches (304.8 cm)
Conformance Standards	UL, CUL, VCCI - NA/JPN models CE, TUV, KC, EAC, KCC, ACMA - INTL models UL, CUL, CE, TUV, KC, EAC, KCC, VCCI, ACMA - WW models
Mechanical Dimensions (WxHxD) - 1U models	17.25 x 1.71 x 6.16 in (43.8 x 4.34 x 15.65 cm)
Mechanical Dimensions (WxHxD) - Half Height models	2.05 x 30 x 2.05 (5.2 x 76.2 x 5.2 cm)
Mechanical Dimensions (WxHxD) - Mid Height models	2.05 x 56.12 x 2.05in (5.2 x 142.54 x 5.2 cm)
Mechanical Dimensions (WxHxD) - Full Height models	2.05 x 66.59 x 2.05 in (5.2 x 169.14 x 5.2)
Kit Contents - All Remote Monitoring PDUs	All models ship with: <ul style="list-style-type: none"> • Mounting buttons or hardware • Tie wraps for cable retention • Shipping bracket (vertical models only) • 6ft RJ45-RJ45 communications cable • 6ft RJ45-DB9 Serial cable • Read me first card

Environment-friendly Products and Approach **End-of-life Management and Recycling** Hewlett Packard Enterprise offers end-of-life Hewlett Packard Enterprise product return, trade-in, and recycling programs in many geographic areas. For trade-in information, please go to: <http://www.hp.com/go/green>. To recycle your product, please go to: <http://www.hp.com/go/green> or contact your nearest Hewlett Packard Enterprise sales office. Products returned to Hewlett Packard Enterprise will be recycled, recovered or disposed of in a responsible manner.

The EU WEEE directive (2002/95/EC) requires manufacturers to provide treatment information for each product type for use by treatment facilities. This information (product disassembly instructions) is posted on the Hewlett Packard Enterprise web site at: <http://www.hp.com/go/green>.

Technical Specifications

These instructions may be used by recyclers and other WEEE treatment facilities as well as Hewlett Packard Enterprise OEM customers who integrate and re-sell Hewlett Packard Enterprise equipment.

Summary of Changes

Date	Version History	Action	Description of Change
16-Feb-2016	From Version 9 to 10	Changed	Overview, Models, Standard Features, Service and Support, Related Options, Model Selection Matrix, and Technical Specifications were updated. Note the title changed to HPE Metered Power Distribution Units (PDU).
18-Aug-2014	From Version 8 to 9	Added	Added 4.9kVA PDU and 7.3kVA PDU to Half Height vertical models in Metered PDU Family Information.
		Changed	Changed "Monitoring" to "Monitored" throughout the QuickSpecs.
10-Jun-2014	From Version 6 to 8	Changed	Changes were made throughout.
25-Mar-2014	From Version 5 to 6	Changed	Models and Standard Features were revised.
07-Mar-2014	From Version 4 to 5	Changed	Models, Standard Features, and Related Options were revised.
18-Feb-2014	From Version 3 to 4	Changed	Models, Standard Features, and Related Options were revised.
15-Nov-2013	From Version 2 to 3	Changed	Changed "Monitored" to "Monitoring" throughout the QuickSpecs.
11-Oct-2013	From Version 1 to 2	Changed	Revised the Models & Model Selection Matrix sections.



Sign up for updates

★ Rate this document

© Copyright 2016 Hewlett Packard Enterprise Development Company, L.P.
The information contained herein is subject to change without notice.

The only warranties for Hewlett Packard Enterprise products and services are set forth in the express warranty statements accompanying such products and services. Nothing herein should be construed as constituting an additional warranty. Hewlett Packard Enterprise shall not be liable for technical or editorial errors or omissions contained herein.

c04229509 - 14669 - Worldwide - V10 - 16-February-2016

