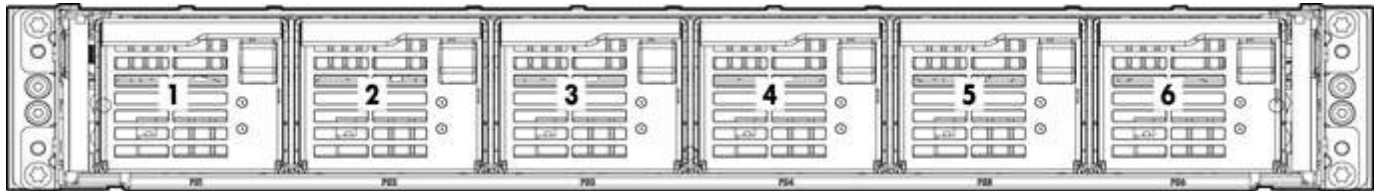


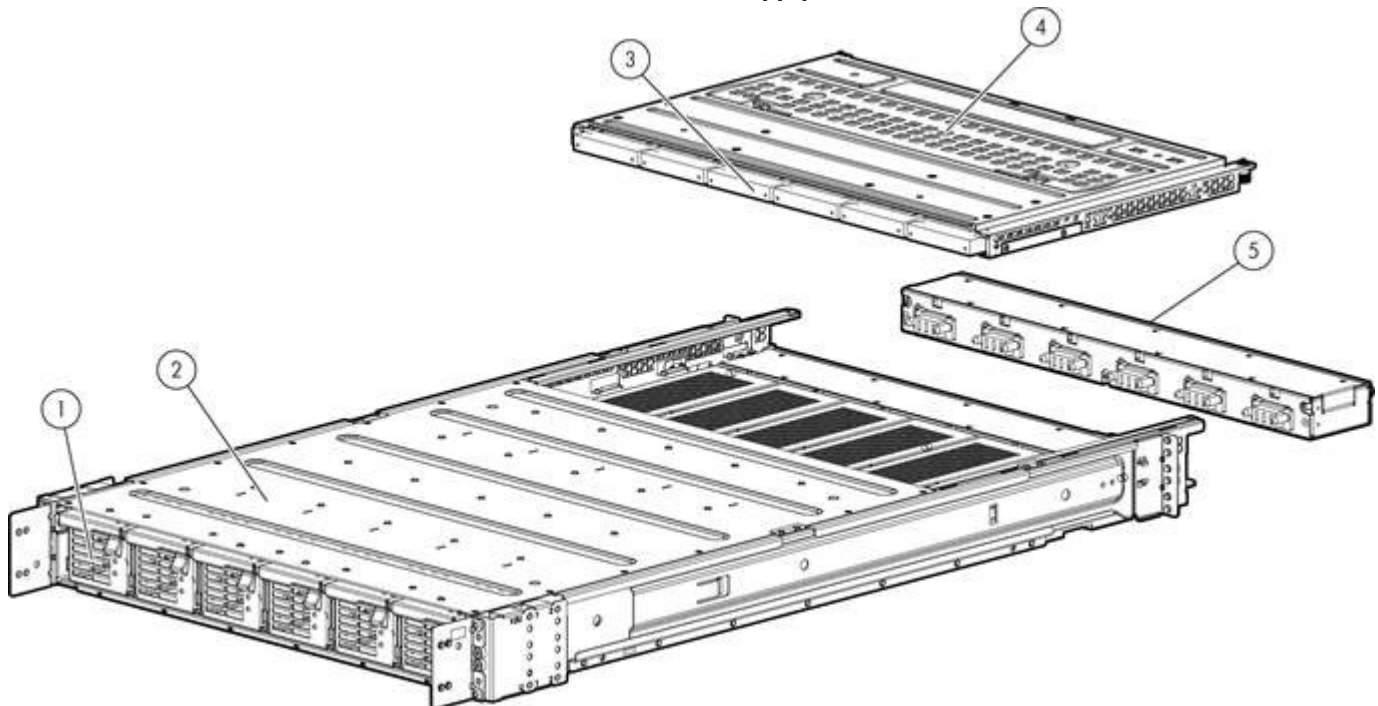
Overview

HPE Apollo 6000 Power Shelf

The HPE Apollo 6000 Power Shelf offers pooled power for rack level efficiency as well as provide N+N redundancy to support your datacenter needs. Depending on the power configurations of the trays within a chassis, the power shelf can support 2 to 3 fully populated HPE Apollo a6000 Chassis with max DC power up to 15.9 kW. The HPE Apollo 6000 Power Shelf with its redundant hot-plug power supplies can also be configured for single- or three-phase input.



Front View with Power Supply Slots 1-6



Side View:

1. Power supply
2. HPE Apollo 6000 Power Shelf
3. Power management tray
4. Air baffle
5. AC input modules

Overview

Key features

- Each power shelf can support up to 15.9 kW of DC power.
- The power shelf has six power supply slots for maximum configurability.
- Can be configured for single-phase or three-phase AC input.

Supports N, N+1 and N+N power redundancy with hot-plug power supplies.



Standard Features

Notes: For the Standard Features shipped in the Factory Integrated Models, please see the "Configuration Information - Factory Integrated Models" section.

Power Shelf Rails

Notes: Hewlett Packard Enterprise recommends a minimum of two people required for all rack installations. Please refer to your installation instructions for proper tools and number of people to use for any installation.

HPE Apollo 6000 Pwr Shelf Rail Kit 765439-B21

Notes: This kit only supports HPE racks.

HPE Apollo 6000 3PO Power Shelf Rail Kit 775167-B21

Notes: This kit supports some HPE Pods and some 3rd Party racks.

HPE Power Supplies

Notes: Mixing of 2 different power supply types is not supported.

Notes: If Three-Phase AC input is selected, a minimum of 3 Power Supply Option Kits are needed. For full redundancy 6 Power Supply Option Kits are required.

Notes: The HPE power supplies meet multiple Energy Efficiency Initiatives: 94% Climate Savers Computing, PLATINUM and ECOS Consulting 80 Plus Platinum.

HPE 2650W Performance Platinum Hot Plug Power Supply Kit 733459-B21

HPE 2400W Performance Platinum Hot Plug Power Supply Kit 588603-B21

HPE 2650W Performance Universal Hot Plug Power Supply Kit 753618-B21

AC Power Input Modules

Notes: If Three Phase Power Module is selected, a minimum of 3 Power Supply Option Kits are needed. For full redundancy 6 Power Supply Option Kits are required.

HPE BLc7000 1 PH FIO Power Module Option 413379-B21

HPE BLc7000 3 PH Intl FIO Power Module Option 413381-B21

HPE BLc7000 3 PH NA/JP FIO Power Module Option 413380-B21

HPE HVDC 1PH AC Power Module BLc FIO Option 753623-B21

12V DC Power Cables

HPE Apollo 6000 Power Shelf 863.3mm 12V DC Power Cable 757398-B21

HPE Apollo 6000 Power Shelf 984mm 12V DC Power Cable 757399-B21

HPE Apollo 6000 Power Shelf 1168mm 12V DC Power Cable 757397-B21

Notes: For additional power cable information, please visit:

<http://h18000.www1.hpe.com/products/servers/proliantstorage/power-protection/options/power-cable.html>

Services

Refer to the Hewlett Packard Enterprise website at: <http://www.hpe.com/go/services> for details on the service-level descriptions and product numbers. For details about services and response times in your area, please contact your local Hewlett Packard Enterprise sales office.



Standard Features

Warranty

This product is covered by a global limited warranty and supported by Hewlett Packard Enterprise Services and a worldwide network of Hewlett Packard Enterprise Authorized Channel Partners. Hardware diagnostic support and repair is available for one year from date of purchase. Support for software and initial setup is available for 90 days from date of purchase. Enhancements to warranty services are available through HPE Pointnext operational services or customized service agreements. Hard drives have either a one year or three year warranty.

Notes: Server Warranty includes 1 year Parts, 1 year Labor, 1-year on-site support with next business day response. Warranty repairs may be accomplished through the use of Customer Self Repair (CSR) parts. These parts fall into two categories: 1) Mandatory CSR parts are designed for easy replacement. A travel and labor charge will result when customers decline to replace a Mandatory CSR part; 2) Optional CSR parts are also designed for easy replacement but may involve added complexity. Customers may choose to have Hewlett Packard Enterprise replace Optional CSR parts at no charge. Additional information regarding worldwide limited warranty and technical support is available at:

<http://h18004.www1.hpe.com/products/servers/platforms/warranty/index.html>

Notes: In Asia Pacific, Japan and China, Server Warranty includes 3 year Parts, 3 year Labor, 3-year On-site support with next business day response.



Service and Support

HPE Pointnext - Service and Support

Get the most from your HPE Products. Get the expertise you need at every step of your IT journey with **HPE Pointnext Services**. We help you lower your risks and overall costs using automation and methodologies that have been tested and refined by HPE experts through thousands of deployments globally. HPE Pointnext **Advisory Services** focus on your business outcomes and goals, partnering with you to design your transformation and build a roadmap tuned to your unique challenges. Our **Professional** and **Operational Services** can be leveraged to speed up time-to-production, boost performance and accelerate your business. HPE Pointnext specializes in flawless and on-time implementation, on-budget execution, and creative configurations that get the most out of software and hardware alike.

Consume IT on your terms

HPE GreenLake brings the cloud experience directly to your apps and data wherever they are—the edge, colocations, or your data center. It delivers cloud services for on-premises IT infrastructure specifically tailored to your most demanding workloads. With a pay-per-use, scalable, point-and-click self-service experience that is managed for you, HPE GreenLake accelerates digital transformation in a distributed, edge-to-cloud world.

- Get faster time to market
- Save on TCO, align costs to business
- Scale quickly, meet unpredictable demand
- Simplify IT operations across your data centers and clouds

Managed services to run your IT operations

HPE GreenLake Management Services provides services that monitor, operate, and optimize your infrastructure and applications, delivered consistently and globally to give you unified control and let you focus on innovation.

Recommended Services

HPE Pointnext Tech Care.

HPE Pointnext Tech Care is the new operational service experience for HPE products. Tech Care goes beyond traditional support by providing access to product specific experts, an AI driven digital experience, and general technical guidance to not only reduce risk but constantly search for ways to do things better. HPE Pointnext Tech Care has been reimagined from the ground up to support a customer-centric, AI driven, and digitally enabled customer experience to move your business forward. HPE Pointnext Tech Care is available in three response levels. Basic, which provides 9x5 business hour availability and a 2 hour response time. Essential which provides a 15 minute response time 24x7 for most enterprise level customers, and Critical which includes a 6 hour repair commitment where available and outage management response for severity 1 incidents.

<https://www.hpe.com/services/techcare>

HPE Pointnext Complete Care

HPE Pointnext Complete Care is a modular, edge-to-cloud IT environment service that provides a holistic approach to optimizing your entire IT environment and achieving agreed upon IT outcomes and business goals through a personalized and customer-centric experience. All delivered by an assigned team of HPE Pointnext Services experts. HPE Pointnext Complete Care provides:

- A complete coverage approach -- edge to cloud
- An assigned HPE team
- Modular and fully personalized engagement
- Enhanced Incident Management experience with priority access
- Digitally enabled and AI driven customer experience

<https://www.hpe.com/services/completecure>



Service and Support

Recommended HPE Pointnext operational services for your HPE product

Service and Support

The HPE Apollo 6000 power shelf is a part of the HPE Apollo a6000 chassis. Support for this tray can be purchased at a chassis level. Please refer to HPE Apollo a6000 chassis quick spec documentation for details.

HPE Technology Services for Industry Standard Servers

HPE Technology Services delivers confidence, reduces risk and helps customers realize agility and stability. Connect to Hewlett Packard Enterprise to help prevent problems and solve issues faster. Our support technology lets you to tap into the knowledge of millions of devices and thousands of experts to stay informed and in control, anywhere, any time.

Protect your business beyond warranty with HPE Pointnext operational services

HPE Pointnext operational services enable you to order the right service level, length of coverage and response time as you purchase your new server, giving you full entitlement for the term you select.

Get connected to Hewlett Packard Enterprise to improve your support experience

Prevent problems with innovative, automated monitoring tools and proactive services. Combining Tech Care Services with our remote support technology such as Insight Online provides you with expert advice and personalized, cloud-based automated IT support, helping to prevent unplanned down time and solve problems quickly. For more information, visit:

<http://www.hpe.com/go/proactiveinsightexperience>

Parts and Materials

Hewlett Packard Enterprise will provide HPE-supported replacement parts and materials necessary to maintain the covered hardware product in operating condition, including parts and materials for available and recommended engineering improvements.

Parts and components that have reached their maximum supported lifetime and/or the maximum usage limitations as set forth in the manufacturer's operating manual, product QuickSpecs, or the technical product data sheet will not be provided, repaired, or replaced as part of these services.

The defective media retention service feature option applies only to Disk or eligible SSD/Flash Drives replaced by Hewlett Packard Enterprise due to malfunction.



Base Configuration

Notes: This section lists some of the steps required to configure a Factory Integrated Model. To ensure only valid configurations are ordered, Hewlett Packard Enterprise recommends the use of an Hewlett Packard Enterprise approved configurator. Contact your local sales representative for information on configurable product offerings and requirements.

Step 1: Choose a Power Shelf Configuration

HPE Power Shelf	<p>Notes: A Power Shelf is required for all HPE Apollo 6000 configurations. Depending on which trays are populated in the HPE Apollo a6000 chassis, the ratio of power shelf to chassis varies.</p> <p>Notes: A power shelf can be ordered without a rack. However both the power shelf and chassis are required if ordered as factory integrated into a rack.</p>	
	HPE Apollo 6000 Standard Power Shelf	735131-B21

Step 2: Choose an AC Input Power Module

AC Input Power Module	<p>Notes: If Three Phase Power Module is selected, a minimum of 3 Power Supply Option Kits are needed. For full redundancy 6 Power Supply Option Kits are required.</p>	
	HPE BLc7000 1 PH FIO Power Module Option	413379-B21
	HPE BLc7000 3 PH Intl FIO Power Module Option	413381-B21
	HPE BLc7000 3 PH NA/JP FIO Power Module Option	413380-B21
	HPE HVDC 1PH AC Power Module BLc FIO Option	753623-B21

Step 3: Choose Power Supplies

HPE Power Supplies	<p>Notes: Mixing of Power Supplies is not supported on HPE Apollo 6000 Power Shelf.</p> <p>Notes: If Three-Phase Power is selected, a minimum of 3 Power Supply Option Kits are needed. For full redundancy, 6 Power Supply Option Kits are required</p>	
	HPE 2650W Performance Platinum Hot Plug Power Supply Kit	733459-B21
	HPE 2400W Performance Platinum Hot Plug Power Supply Kit	588603-B21
	HPE 2650W Performance Universal Hot Plug Power Supply Kit	753618-B21

Step 4: Choose Output Power Cables

HPE 12V DC Power Cables	<p>Notes: Each power shelf can support up to twelve 12V DC cables</p> <p>Notes: Depending on the number of chassis to be supported, the cable length varies.</p>	
	HPE Apollo 6000 Power Shelf 863.3mm 12V DC Power Cable	757398-B21
	Notes:Notes: Recommended for chassis closest /next to power shelf	
	HPE Apollo 6000 Power Shelf 984mm 12V DC Power Cable	757399-B21
	HPE Apollo 6000 Power Shelf 1168mm 12V DC Power Cable	757397-B21

Step 5: Choose Rail Kit

Power Shelf Rails	HPE Apollo 6000 Power Shelf Rail Kit	765439-B21
	HPE Apollo 6000 3PO Power Shelf Rail Kit	



Base Configuration

Step 6: Choose HPE Power Cords

HPE Power Cords	HPE 2.0m 250V 16A C19-C20 WW Single IPD Enabled Jumper Cord	TK738A
	HPE 2.0m 250V 16A C19-C20 WW 3PC Kit IPD Enabled Jumper Cord	TK739A
	HPE 2.5m 250V 16A C19-C20 WW Single IPD Enabled Jumper Cord	TK740A
	HPE 2.5m 250V 16A C19-C20 WW 3PC Kit IPD Enabled Jumper Cord	TK741A
	HPE 3.0m 250V 16A C19-C20 WW Single IPD Enabled Jumper Cord	TK742A
	HPE 3.0m 250V 16A C19-C20 WW 3PC Kit IPD Enabled Jumper Cord	TK743A
	HPE 1.37m 250V 16A C19-C20 WW Single IPD Enabled Jumper Cord	TK744A
	HPE 1.37m 250V 16A C19-C20 WW 3PC Kit IPD Enabled Jumper Cord	TK745A
	HPE SAFDGRID-SAFDGRID 277V 15Amp DC 0.76m Jumper Cord	J6W98A
	HPE SAFDGRID-SAFDGRID 277V 15Amp DC 1.37m Jumper Cord	J6W99A
	HPE SAFDGRID-SAFDGRID 277V 15Amp DC 2.0m Jumper Cord	J6X00A
	HPE SAFDGRID-LS-25 277V 15Amp AC 0.76m Jumper Cord	J6X01A
	HPE SAFDGRID-LS-25 277V 15Amp AC 1.37m Jumper Cord	J6X02A
	HPE SAFDGRID-LS-25 277V 15Amp AC 2.0m Jumper Cord	J6X03A
	HPE C19 - C20 WW 250V 16Amp Flint Gray 2.0m Jumper Cord	AF574A
	HPE C19 - C20 WW 250V 16Amp Flint Gray 1.20m Jumper Cord	AF575A
	HPE C19 - CEE-VII EU 250V 16Amp 3.6m Power Cord	AF576A
	HPE C19 - AS3112-3 AU/NZ 250V 15Amp 3.6m Power Cord	AF577A
	HPE C19 - SABS-164 ZA 250V 16Amp 3.6m Power Cord	AF579A
	HPE C19 - CEI-23-50 IT/CL 250V 16Amp 3.6m Power Cord	AF580A
	HPE C19 - IEC-309 DK/SE/AR 250V 16Amp 3.6m Power Cord	AF581A
	HPE C19 - IS-1293 IN/PK/BD 250V 16Amp 2.5m Power Cord	AF582A
	HPE C19 - ISI-32 IL 250V 16Amp 2.5m Power Cord	AF583A
	HPE C19 - GB-1002 CN 250V 16Amp 2.5m Power Cord	AF584A
	HPE C19 - CNS-690 TW 250V 16Amp 2.5m Power Cord	AF585A
	HPE C19 - Nema 5-15P TH-PH 125V 15Amp 3.6m Power Cord	AF586A
	HPE C19 - NBR-14136 BR 250V 16Amp 2.5m Power Cord	AF592A
	HPE C19 - Nema L6-20P NA/JP 250V 20Amp High Voltage 3.6m Power Cord	AF593A

Notes: For additional power cable information, please visit:

<http://h18000.www1.hpe.com/products/servers/proliantstorage/power-protection/options/power-cable.html>



Power Specifications

HPE 2650 Watts Platinum Hot Plug Power Supply					
Part Number	733459-B21				
Input Voltage Range (V rms)	200-240				
Frequency Range (Nominal) (Hz)	50 / 60				
Nominal Input Voltage (Vrms)	200	208	220	230	240
Maximum Rated Output Wattage	2650	2650	2650	2650	2650
Nominal Input Current (A rms)	14.5	13.9	13.1	12.5	12.0
Maximum Rated Input Wattage Rating (Watts)	2898	2901	2904	2887	2884
Maximum Rated VA (Volt-Amp)	2896	2888	2887	2882	2878
Efficiency (%) at Max. Rated Output Wattage	91.4	91.3	91.2	91.8	91.9
Power Factor	0.98				
Leakage Current (mA)	0.97	1.01	1.06	1.11	1.16
Maximum Inrush Current (A peak)	100				
Maximum Inrush Current duration (mS)	10				
Maximum British Thermal Unit Rating (BTU-Hr)	9888	9899	9910	9850	9840

HPE 2400 Watts Platinum Hot Plug Power Supply					
Part Number	588603-B21				
Input Voltage Range (V rms)	200-240				
Frequency Range (Nominal) (Hz)	50 / 60				
Nominal Input Voltage (Vrms)	200	208	220	230	240
Maximum Rated Output Wattage	2450	2450	2450	2450	2450
Nominal Input Current (A rms)	13.9	13.4	12.6	12.0	11.4
Maximum Rated Input Wattage Rating (Watts)	2692	2692	2678	2678	2663
Maximum Rated VA (Volt-Amp)	2778	2778	2762	2762	2747
Efficiency (%) at Max. Rated Output Wattage	91	91	91.5	91.5	92
Power Factor	0.98	0.98	0.98	0.98	0.98
Leakage Current (mA)	0.97	1.01	1.06	1.11	1.16
Maximum Inrush Current (A peak)	100	100	100	100	100
Maximum Inrush Current duration (mS)	10	10	10	10	10
Maximum British Thermal Unit Rating (BTU-Hr)	9888	9186	9136	9136	9086



Power Specifications

Power	Input Requirements - Single Phase Model	Rated input frequency	50 to 60 Hz
		2400W PSU	Rated input voltage 200 to 240 VAC
			Rated input current 13.9 A at 200 V ac per power supply 13.3 A at 208 V ac 12.6 A at 220 V ac
			Rated input power per power supply 2780 VA
		Rated input Frequency	50 to 60 Hz
		2650W PSU	Rated input voltage 200 to 240 VAC
			Rated input current 14.4 A at 200 VAC per power supply 13.8 A at 208 VAC
			Rated input power per power supply 2880 VA
	Input Requirements - Three Phase NA/JPN Model	Rated input voltage	200 to 208 VAC Line to Line 3-Phase Delta
		Rated input frequency	50 to 60 Hz
		2400W PSU	Max input current per line cord 24 A at 200 V ac 23.1 A at 208 V ac
			Max input power per line cord 8340 VA max
		Rated input Frequency	Max input current per line cord 14.4 A at 200 VAC 13.8 A at 208 VAC
		2650W PSU	Max input power per line cord 2880 VA



Technical Specifications

HPE Apollo 6000 Power Shelf

Power Supply Slots	Six (6)
Physical characteristics	Dimensions 30.88 x 17.64 x 2.55 in (78.44 x 44.81 x 6.47 cm) (L x W x D)
	Shipping dimension 39.37 x 23.63 x 13 in (100 x 60 x 45.7 cm) (L x W x D)
	Weight Maximum 60 lb (27.22 kg)
	Minimum 20 lb (9.07 kg)
Environment	Operating temperature 32°F to 131°F (0°C to 55°C)
	Operating relative humidity 15% to 95%, noncondensing
	Non-operating/Storage temperature -40°F to 158°F (-40°C to 70°C)
	Non-operating/Storage relative humidity 15% to 95%, noncondensing
	Altitude up to 9,842 ft (3 km)
	Acoustic Power: 69.1 dB, Pressure: 53.1 dB Acoustic ratings are absolute max sound levels with 3 modular power supplies and max output power
Electrical characteristics	DC voltage Power supplies can supply 12VDC.
	Maximum power rating 3150 W
	PoE power 2100 W
	RPS 12VDC
	Frequency 50/60 Hz
	Notes Maximum power rating and maximum heat dissipation are the worst-case theoretical maximum numbers provided for planning the infrastructure with fully loaded PoE (if equipped), 100% traffic, all ports plugged in, and all modules populated.
Safety	GOST R MEK60950; EN62479:2010; UL 60950-1 2nd Edition; CSA C22.2 No. 60950-1-07 2nd Edition; EN 60950-1:2006+A11:2009+A1:2010+A12:2011; IEC 60950-1:2005, Amd 1: 2009
Emissions	FCC Rules Part 15, Subpart B Class A; VCCI Class A; BSMI CNS 13438; AS/NZS CISPR 22 Class A; KCC Class A; EN 55022:2010; EN 61000-3-3:2008; EN 6100-3-2:2006+A1:2009 + A2:2009; GOST R 51318.22
Immunity	Generic EN55024:2010
	ESD IEC 61000-4-2:2008
	Radiated IEC 61000-4-3:2010
	EFT/Burst IEC 61000-4-4:2012
	Surge IEC 61000-4-5:2005
	Conducted IEC 61000-4-6:2008
	Power frequency magnetic field IEC 61000-4-8:2009
	Voltage dips and interruptions IEC 61000-4-11:2004



Technical Specifications

Acoustic Noise

Listed are the declared A-Weighted sound power levels (LWAd) and declared average bystander position A-Weighted sound pressure levels (LpAm) when the product is operating in a 23°C ambient environment. Noise emissions were measured in accordance with ISO 7779 (ECMA 74) and declared in accordance with ISO 9296 (ECMA 109).



Summary of changes

Date	Version History	Action	Description of Change
15-Nov-2021	Version 6	Changed	Service and Support section was updated.
23-Oct-2017	Version 5	Changed	Care Pack naming and Service and Support- Parts and Materials updated.
15-Aug-2016	From version 3 to 4	Updated	Updates throughout the all document.
29-Apr-2015	From version 2 to 3	Changed	Update the configuration section
13-Jun-2014	From Version 1 to 2	Changed	Service and Support were revised.



Copyright

**Make the right purchase decision.
Contact our presales specialists.**



Chat



Email



Call



Get updates



© Copyright 2021 Hewlett Packard Enterprise Development LP. The information contained herein is subject to change without notice. The only warranties for Hewlett Packard Enterprise products and services are set forth in the express warranty statements accompanying such products and services. Nothing herein should be construed as constituting an additional warranty. Hewlett Packard Enterprise shall not be liable for technical or editorial errors or omissions contained herein.

c04293375 - 14976 - Worldwide - V6 - 15-November-2021