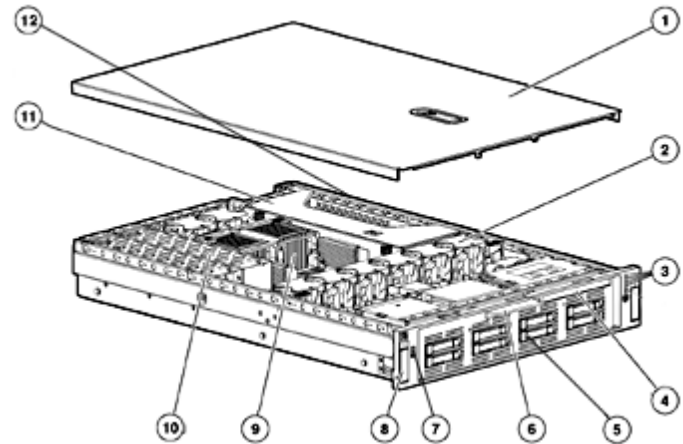
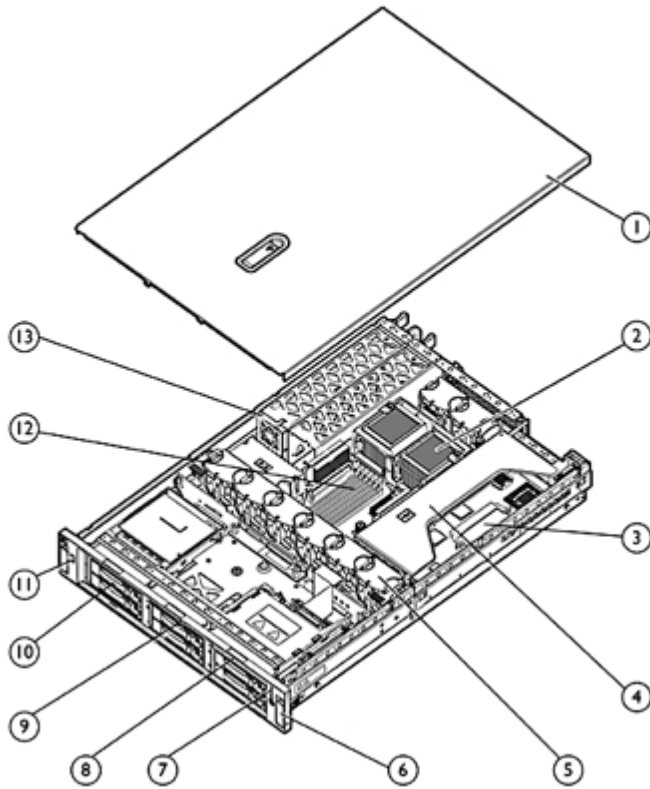


Overview

SCSI Model

SAS Model



1. Quick removal access panel
2. Intel Xeon Processor (High performance models include two processors)
3. Smart Array 6i Array Controller (Ultra320) with optional 128MB Battery Backed Write Cache (BBWC) or Smart Array P600/256 BBWC Controller. (All High performance models include BBWC)
4. Three PCI-X non-hot plug expansion slots (or optional PCI-X hot plug expansion cage or PCI Express expansion cage)
5. Hot-plug fans, full redundancy option (All 2M Cache models and High performance models include fully redundant fans)
6. Quick release lever for fast server access
7. Front LEDs (show server status) and Unit Identification button/LED (for easy in rack server identification)
8. 24X Max CD-ROM (High performance models include DVD-ROM drive)
9. Optional 1.44 MB (3.5") Diskette Drive (High performance models include Diskette Disk Drive)
10. Support for six Ultra320 SCSI hot plug hard drives (or five hot plug hard drives and one DAT 40 or DAT 72 hot plug tape drive)
11. USB 2.0 port

1. Quick removal access panel
2. Hot-plug fans, full redundancy option (All 2M Cache models and High performance models include fully redundant fans)
3. Front LEDs (show server status) and Unit Identification button/LED (for easy in rack server identification)
4. 24X Max CD-ROM (High performance models include DVD-ROM drive)
5. Support for eight universal small form factor hot plug hard drives
6. Optional 1.44 MB (3.5") Diskette Drive (High performance models include Diskette Disk Drive)
7. USB 2.0 port
8. Quick release lever for fast server access
9. Intel Xeon Processor (High performance models include two processors)
10. Hot plug power supply, redundancy option (High performance models include redundant power supply)
11. Three PCI-X non-hot plug expansion slots (or optional PCI-X hot plug expansion cage or PCI Express expansion cage)
12. Smart Array P600/256 BBWC Controller (All High performance models include BBWC)

Overview

12. Six PC2-3200R 400MHz DDR2 Sockets
13. Hot plug power supply, redundancy option (High performance models include redundant power supply)

What's New

Introducing the ProLiant DL380 G4 SAS model with the latest Dual-core Intel Xeon Processors with Hyperthreading technology for maximum application performance.

- New SAS Model: DL380R04 X2.8-2x2MB/800 DC, 1GB SAS
- Improve server responsiveness
- Increase performance up to 50%
- Enhance multi-tasking

At a Glance

The HP ProLiant DL380, the world's largest selling server, delivers on its history of design excellence with enterprise-class uptime and manageability, proven 2-way Intel Xeon performance, and 2U density for a variety of rack deployments and applications.

- **Processors:**
 - 64-bit Intel® Xeon™ processors up to 3.6 GHz
 - 800MHz Front Side Bus and 2MB of L2 cache
 - High Performance Models:
 - Two processors included standard
 - Based on the 3.4 GHz 2MB Intel Xeon Processor and the 3.6 GHz 2MB Intel Xeon Processor
 - Intel E7520 Chipset
 - High performance models available fully loaded for convenience
- **Memory:**
 - 1 GB PC2-3200R 400MHz DDR2 Memory with online spare capabilities
 - 2 GB included in High Performance models
 - Support for dual-rank 400MHz DDR2 memory
- **Storage Controller:**
 - SAS (Serial attached SCSI) models include the HP Smart Array P600/256 BBWC Controller.
 - SCSI models include the integrated Smart Array 6i Ultra320 Array Controller with optional 128MB of Battery Backed Write Cache (BBWC standard on all high performance models)
- **Internal Drive Support:**
 - Internal hot plug capacity 1.8TB standard (6 x 300GB HDD)
 - (8) small form factor hot-plug drive bays or (6) hot-plug U320 SCSI drive bays
 - SCSI models have (1) 1.6" bay that supports a hot-plug DAT tape backup drive
 - Optional PCI-X Hot-plug cage or Optional PCI Express Non-hot plug Cage (U320 SCSI Models only)
 - Optional dual channel drive backplane (2/4 split) for U320 SCSI models (Included in SCSI High Performance Models)
 - Optional dual channel drive backplane (2/4 split) (Included in High Performance Models)
 - Optional floppy disk drive (Included in High Performance Models)
- **Network Controller:**
 - Embedded NC7782 PCI-X Gigabit Server Adapter
- **Expansion Slots:**
 - 3 Total Available Slots (2 available on SAS models): (2) non-hot plug 64-bit/100MHz PCI-X slots and (1) non-hot plug 64-bit/133MHz PCI-X slot
- **USB 2.0 Ports:**
 - 3 Total: (1) front, (2) rear accessible ports
- **Redundancy:**
 - Hot Plug Fans with optional full redundancy (Included in 2MB Cache and High performance models)

Overview

- Hot Plug Power Supply with optional redundancy (Included in High performance models)
- **Management:**
 - HP Power Regulator for ProLiant, delivering server level, policy based power management with industry leading energy efficiency and savings on system power and cooling costs
 - Integrated Lights-Out industry leading remote management with new support for two-factor authentication, schema-free Microsoft Active Directory integration, Power Regulator p-state reporting, USB key virtual media and VLAN on the shared network port
 - Integrated Lights-Out (iLO) Standard Management on system board
 - Support for new iLO Shared Network Port enables access to the iLO management processor through one of the embedded system NICs
 - Automatic Server Recovery (ASR), ROM Based Setup Utility (RBSU), HP System Insight Manager, Status LEDs including system health and UID and SmartStart
- **Form Factor:**
 - Rack (2U), (3.5-inch)
- **Deployment/Serviceability:**
 - Tool-less access to all system components for easy in rack serviceability
 - Quick Deploy Rail System includes sliding universal rails, an ambidextrous cable management arm and quick release levers for fast and easy serviceability and in-rack tool-less access to major components
- **Warranty:**
 - Protected by HP Services and a worldwide network of resellers and service providers. Three-year Next Business Day, on-site limited global warranty. Certain restrictions and exclusions apply. Pre-Failure Notification on processors, memory, and SCSI/SAS hard drives. SATA hard drives have a one-year warranty.

Standard Features

NOTE: For the Standard Features shipped in the "Factory Integrated Models", please see the "Configuration Information - Factory Integrated Models" section.

Processor	Intel Xeon Processor 3.0 GHz/800MHz-2MB L2
One of the following depending on Model	Dual-core Intel Xeon Processor 2.8 GHz/800MHz-2x2MB L2
	NOTE: This kit is not backwards compatible, existing systems cannot be upgraded.
	Intel Xeon Processor 3.2 GHz/800MHz-2MB L2
	Intel Xeon Processor 3.4 GHz/800MHz-2MB L2
	Intel Xeon Processor 3.6 GHz/800MHz-2MB L2

Cache Memory	2MB Level 2 cache
One of the following depending on Model	2x2MB Level 2 cache (Dual-core Models)

Upgradeability	Upgradeable to dual processing
-----------------------	--------------------------------

Chipset	Intel E7520 Chipset
	NOTE: For more information regarding Intel chipsets, please see the following URL: http://www.intel.com/products/server/chipsets/ .

Memory Protection	Online spare Advanced ECC
--------------------------	------------------------------

Memory	Type	PC2-3200R 400MHz DDR2
One of the following depending on model	Standard (base models)	1 GB (2 x 512 MB)
	Standard (High Performance models)	2 GB (2 x 1024 MB)
	Maximum	12 GB

Network Controller	Embedded NC7782 PCI-X Gigabit Server Adapter
---------------------------	--

Standard Features

PCI-X Non-Hot Plug Riser

Expansion Slots	Slot Number	Bus Speed	Bus Number*	Device Number**	Hot Plug	PCI Voltage
	1	64-bit/133MHz PCI-X	10	1	no	3.3 Volt
	2	64-bit/100MHz PCI-X	6	1	no	3.3 Volt
	3	64-bit/100MHz PCI-X	6	2	no	3.3 Volt

NOTE: The Smart Array P600 Array Controller (SAS) with 256MB BBWC installed in Slot 1 on SAS models.

NOTE: Universal cards are supported.

PCI-X Hot Plug Riser (Optional)

1	64-bit/133MHz PCI-X	10	1	no	3.3 Volt
2	64-bit/100MHz PCI-X	6	1	yes	3.3 Volt
3	64-bit/100MHz PCI-X	6	2	yes	3.3 Volt

NOTE: Universal cards are supported

PCI Express Non-Hot Plug Riser

(Optional on U320 SCSI Models only)

1	PCI Express x4	8	0	no	NA
2	PCI Express x4	5	0	no	NA

NOTE: x8 cards are supported but will run at x4 speeds.

***NOTE:** Default bus assignment. Inserting cards with PCI bridges may alter the actual bus assignment number.

****NOTE:** Slots are enumerated differently based on OS. MS OS's enumerate from lowest to highest Device ID by bus (starting with the lowest bus).

Storage Controller

One of the following depending on model

Smart Array 6i Controller (integrated on system board)

Smart Array P600/256 BBWC Controller (SAS Models)

Storage

Diskette Drive	1.44 MB Diskette Drive (optional on some models)
Optical Drive	24x IDE CD-ROM (IDE DVD-ROM included on High performance models)
Hard Drives	None Standard

NOTE: U320 SCSI models can be operated in single channel or dual channel (2/4 split). SCSI configuration kit (364471-B21) is required for dual channel configurations.

Maximum Internal Storage Type

Hot Plug U320 SCSI	1.8TB	6 x 300GB with standard internal hot plug SCSI drive cage
Hot Plug SAS	1.168TB	8 x 146GB with standard internal hot plug small form factor SAS drive cage

Standard Features

Interfaces	Serial	1
	Pointing Device (Mouse)	1
	Graphics	1
	Keyboard	1
	External SCSI (VHDCI)	1
	NOTE: External VHDCI not included on SAS Models.	
Network RJ-45	3 (1 for iLO)	
USB 2.0 Ports	3 total: 1 front, 2 back	
NOTE: Please see the following URL for additional information regarding USB support: http://h18004.www1.hp.com/products/servers/platforms/usb-support.html .		

Graphics	Integrated ATI Rage XL Video Controller with 8-MB SDRAM Video Memory
----------	--

Form Factor	Rack (2U), (3.5-inch)
-------------	-----------------------

ProLiant Essentials Foundation Pack Software	HP Systems Insight Manager	HP Systems Insight Manager (HP SIM) provides a unified, secure and extensible environment to centrally manage servers, storage and other infrastructure devices across multiple operating system platforms. Through a single management view, HP SIM provides core management services that include device discovery and identification, event views, health monitoring, inventory data collection, software version control and reporting. HP SIM is built on industry standards and is extensible with value-added ProLiant Essentials, Integrity Essentials and Storage Essentials software to meet individual management needs. For more details on HP SIM visit http://www.hp.com/go/hpsim .
--	----------------------------	--

HP SIM provides organizations with the following benefits:

- Simplifies and consolidates infrastructure lifecycle management using task and query based functionality
- Provides the foundation for infrastructure automation and virtualization
- Enables IT management based on business processes not hardware platforms
- Lowers infrastructure maintenance cost and frees resources for innovation
- Maximizes resource utilization with virtualization technologies
- Provides a central point of integration between infrastructure and Enterprise management tools such as HP OpenView

SmartStart	SmartStart is a tool that simplifies server setup, providing a rapid way to deploy reliable and consistent server configurations. For more information, please visit the SmartStart Web site at: http://www.hp.com/servers/smartstart SmartStart version supported (minimum): SmartStart 7.10 SmartStart version supported (minimum for SCSI models): SmartStart 7.10 SmartStart version supported (minimum for SAS models): SmartStart 7.30
------------	--

Standard Features

Insight Management Agents	Insight Management Agents should be installed on all HP servers to present system instrumentation, health and configuration information into HP Systems Insight Manager and the HP System Management Homepage. The HP System Management Homepage aggregates systems data from Insight Management Agents and other HP management tools, providing a consolidated browser-based interface for managing individual servers, Insight Management Agents and The HP System Management Homepage are included on ProLiant Support Packs, and can also be installed using the server profiles provided with the ProLiant Essentials Rapid Deployment Pack. For additional information about the Management Agents and the HP System Management Homepage please visit the management Web site at http://www.hp.com/servers/manage
Subscribers Choice	Subscriber's Choice Driver and Support Alerts/Notifications is a web-based email subscription service that provides automatic delivery of software and driver change notifications for ProLiant products. Sign up at http://www.hp.com/go/subscriberschoice and customize your profile to receive various new alerts as they become available, on a weekly or monthly basis.
ROMPaq, support software, and configuration utilities	The latest software, drivers, and firmware fully optimized and tested for your ProLiant server and options available in SmartStart or downloadable from Software and Drivers download pages http://www.hp.com/go/support .
Insight Diagnostics Online Edition	The most advanced configuration analysis, reporting and troubleshooting utilities used by HP and at your fingertips, available in SmartStart.
Optional ProLiant Essentials Value Packs	Optional software offerings that selectively extend the functionality of an Adaptive Infrastructure to address specific business problems and needs: <ul style="list-style-type: none">• Rapid Deployment Pack (RDP) is an automated deployment and provisioning solution for all ProLiant servers. RDP includes the ProLiant Integration Module featuring ProLiant server pre-configured events for OS installation, and optimized software drivers, firmware and management agents. Every RDP disc includes 7-day, 10-node trial licenses for evaluation purposes. RDP requires a license for each server deployed and is available for purchase with HP servers. For more information, visit: http://www.hp.com/servers/rdp.• Workload Management Pack - provides easier management of complex environments, improving overall server utilization and enabling Windows 2000 customers for the first time to confidently deploy multiple applications on a single multiprocessor ProLiant Server.• Performance Management Pack - a performance management solution that identifies and explains hardware performance bottlenecks on ProLiant servers and attached options enabling users to better utilize their valuable resources.• Intelligent Networking Pack - detects and analyzes network bottlenecks or broken network linkages and steers traffic to the optimum route based on network conditions, plus it provides an extra layer of protection. The virus throttle feature of the solution slows the propagation of fast spreading virus.• Vulnerability and Patch Management Pack - identifies and remediates software security vulnerabilities due to missing patches as well operating system configurations that can be exploited by viruses,

Standard Features

Optional Remote Management Packs

- worms, and other blended threats.
- Virtual Machine Management Pack - provides central management and control of virtual machines from Microsoft and VMware. Integrated approach provides the ability to manage both physical and virtual resources from a single management console.
- Server Migration Pack - The Server Migration Pack automates the manual processes required for migrating servers between physical or virtual platforms (P2V, V2P, and V2V).
- Server Migration Pack - P2P Edition: Upgrading or replacing your existing server? Effortlessly transition to new servers with automated, accurate and affordable migration of OS, application and data.
- Integrated Lights-Out Advanced Pack - upgrades the Integrated Lights-Out processor to full virtual presence and control with graphical console and virtual media.

NOTE: Flexible and volume quantity license kits are available for ProLiant Essentials Value Packs. Refer to <http://www.hp.com/servers/proliantessentials> or the various ProLiant Essentials Value Pack product QuickSpecs for more information.

NOTE: For more information regarding ProLiant Essentials Software, please see the following URL: <http://www.hp.com/servers/proliantessentials>

Industry Standard Compliance

ACPI 2.0 Compliant
PCI 2.2 Compliant
WOL Support
Microsoft® Logo certifications
USB 2.0 Support

Remote Management

Integrated Lights Out (iLO) Standard Management:

- Virtual Text Remote Console
- Virtual Power Button Control
- Dedicated & shared LAN Connectivity
- Browser and command line access
- Automatic IP Configuration via DHCP/DNS/WINS
- Industry Standard 128-bit Secure Sockets Layer (SSL) and Secure Shell Security
- IML and iLO Event Logging
- Support for 12 user accounts with customizable access privilege

Integrated Lights Out Advanced Pack (optional) Remote Graphical Console:

- Microsoft Remote Desktop for Administrators integration
- Virtual media (floppy, CD, USB key, floppy images and ISO images)
- User access management via Directory Services
- Two-factor authentication

Remote Insight Lights-Out Edition II (optional)

Standard Features

Intelligent Manageability	HP Systems Insight Manager SmartStart Redundant ROM Remote Flash ROM Management Agent Integrated Management Log Automatic Server Recovery (ASR) Dynamic Sector Repairing (with Smart Array Controllers) Drive Parameter Tracking (with Smart Array Controllers) Hot Spare Boot (NOTE: Upon the event of a failed processor or VRM in a multi-processing environment, the system will automatically reboot and use the remaining good processor(s).) Pre-Failure Warranty (covers processors, SCSI hard drives and memory)
Server Power Cords	One Lowline NEMA power cord and One Highline IEC Power cord ships standard in most NA models. Smart Buys include one IEC power cable per power supply. Localized cables included with geographic specific models in other world regions.
UPS and PDU Power Cord Matrix	Please see the UPS and PDU cable matrix that lists cable descriptions, requirements, and specifications for UPS and PDU units: ftp://ftp.compaq.com/pub/products/servers/ProLiantstorage/power-protection/powercordmatrix.pdf .
Power Supply	575 Watt, CE Mark Compliant Optional Hot Plug AC Redundant Power Supply
System Fans	5 hot plug fans ship standard. 8 hot plug fans total supported internally for full redundancy NOTE: The additional 3 fans are available via Redundant Fan Option Kit (PN 293048-B21), this kit is included with all high performance, SAS models and 2MB cache models.
Required Cabling	For required cabling information, refer to the Web site at: http://h18000.www1.hp.com/products/servers/proliantDL380/ .

Standard Features

OS Support

Microsoft Windows Server 2000
Microsoft Windows Server 2003
Novell NetWare
Red Hat Enterprise Linux
SUSE Linux Enterprise Server
SCO UnixWare, OpenServer
VMware Virtualization Software

NOTE: For more complete and up-to-date information on how to buy server operating systems from HP please visit the OS product site at: <http://h18004.www1.hp.com/products/servers/software/OEM.html>.

NOTE: For a more complete and up-to-date listing of supported OSs and versions, please visit our OS Support Matrix at: <http://www.hp.com/go/supportos>.

NOTE: For an up-to-date listing of the latest drivers available for the HP ProLiant DL380 G4, please see: <http://h18023.www1.hp.com/support/files/server/us/index.html>.

NOTE: For more Linux OS support & certification information, please visit our the ProLiant & Bladesystem Server Linux matrix <http://h18004.www1.hp.com/products/servers/linux/hpLinuxcert.html>

NOTE: For more information on HP's Certified and Supported ProLiant Servers, please visit the VMware Server Support Matrix at:

<http://h18004.www1.hp.com/products/servers/software/vmware/hpvmwarecert.html>.

Rack Airflow Requirements

Rack 10000 series Cabinets

The increasing power of new high-performance processor technology requires increased cooling efficiency for rack-mounted servers. The 10000 Series Racks provide enhanced airflow for maximum cooling, allowing these racks to be fully loaded with servers using the latest processors.

CAUTION: If a third-party rack is used, observe the following additional requirements to ensure adequate airflow and to prevent damage to the equipment:

- Front and rear doors: If your 42U server rack includes closing front and rear doors, you must allow 830 square inches (5,350 sq cm) of hole evenly distributed from top to bottom to permit adequate airflow (equivalent to the required 64 percent open area for ventilation).
- Side: The clearance between the installed rack component and the side panels of the rack must be a minimum of 2.75 inches (7 cm).

CAUTION: Always use blanking panels to fill all remaining empty front panel U-spaces in the rack. This arrangement ensures proper airflow. Using a rack without blanking panels results in improper cooling that can lead to thermal damage.

NOTE: For additional information, refer to the Setup and Installation Guide or the Documentation CD provided with the server, or to the server documentation located in the Support section at the following URL: <http://h18000.www1.hp.com/products/servers/proliantdl380/index.html>.

Standard Features

Rack Kit	<p>The HP ProLiant DL380 quick deploy rail system provides tool-free support for racks with square or round mounting holes (including Compaq/HP 7000*, 9000, 10000 and HP series), with an adjustment range of 24" - 36". The ambidextrous cable management arm can be mounted on either the left or right side for improved cable management.</p> <p>NOTE: Cable management arm must be removed to access hot-plug power supplies when the cable management arm is mounted on the right.</p> <p>*NOTE: High Airflow Inserts (High Air Flow Rack Door Insert for the 7142 Rack (single) – PN: 327281-B21 ; or High Air Flow Rack Door Insert for the 7142 Rack (6-pack) – PN: 327281-B22) are required to support the HP ProLiant DL380 G4 in 7000 series racks. The DL380 G4 Cable Management Arm is not supported on 7000 series racks.</p>
Telco Rack Support	<p>DL380 G4 Telco Rack Kit: Support for all 2-post Telco racks requires the use of the standard rack kit and an additional option kit from Rack Solutions (http://www.racksolutions.com/hp/)</p>
Factory Express Portfolio for Servers and Storage	<p>HP Factory Express offers configuration, customization, integration and deployment services for HP servers and storage products. Customers can choose how their factory solutions are built, tested, integrated, shipped and deployed.</p> <p>Factory Express offers service packages for simple configuration, racking, installation, complex configuration and design services as well as individual factory services, such as image loading, asset tagging, and custom packaging. HP products supported through Factory Express include a wide array of servers and storage: HP Integrity, HP ProLiant, HP ProLiant Server Blades, HP BladeSystem, HP 9000 servers as well as the MSA1000, VA7xxx, EVA, XP, rackable tape libraries and configurable network switches.</p> <p>For more information on Factory Express services for your specific server model please contact your sales representative or go to http://www.hp.com/go/factory-express.</p>
HP Enterprise Configurator	<p>The HP eCo-Enterprise Configurator now provides factory default racking for our HP hardware portfolio. This approach is aligned with our strategic direction to meet the needs and expectations of our valued customers. If you require "custom" rack configuration, please contact HP's Customer Business Center or an Authorized Partner for assistance.</p> <p>http://www.hp.com/products/configurator</p>
HP ProLiant Smart Buys (NA only)	<p>The HP Smart Buy program offers mainstream business solutions at competitive prices with excellent availability and superior HP quality. It offers a wide range of industry-leading HP products at compelling prices, allowing you to receive richer configurations with additional options.</p> <p>NOTE: ProLiant Smart Buys are available in NA only. For detailed specification information on ProLiant Smart Buys please click on the following link: ftp://ftp.compaq.com/pub/products/servers/smartbuys.pdf</p>

Standard Features

Service and Support

This product is covered by a global limited warranty and supported by HP Services and a worldwide network of resellers and service providers. Hardware diagnostic support and repair is available for three years from date of purchase. Support for software and initial setup is available for 90 days from date of purchase. Additional support may be covered under the warranty or available for an additional fee. Enhancements to warranty services are available through HP Care Pack services or customized service agreements.

NOTE: Server Warranty includes 3 year Parts, 3 year Labor, 3-year on-site support. Additional information regarding worldwide limited warranty and technical support is available at: <http://h18004.www1.hp.com/products/servers/platforms/warranty/index.html>

HP Care Pack services include coverage for the HP branded hardware options qualified for the server, purchased at the same time or afterward, internal to the enclosure, as well as 22" and smaller external monitors and tower UPS options up to 3kVA; these items will be covered at the same service level and for the same coverage period as the server. Coverage of UPS Battery is not included, standard warranty terms & conditions apply. For servers or storage systems installed within a rack, service also covers all HP qualified rack options installed within the same rack.

HP services provide continuous care and support expertise with committed response designed to meet your IT and business needs.

To fully capitalizing on your HP ProLiant servers' capabilities requires a service partner who thoroughly understands your server technology and systems environment. HP Services, an industry leader in provision of multi vender support solutions provides a range of support services designed to meet the varying needs of business. Whether an SMB or large global corporation HP has a ProLiant server support offer to help you speedily deploy and maximize system uptime.

Enhanced Care - Minimum recommended service support offer designed to ensure customers have access to expert assistance, whenever they need it.

- *4-Hour On-site Service, 7-Day x 24-Hour Coverage, 3 Years*

Continuous Care - Recommended service delivering cost-effective support options designed to extend HP Services committed response and guaranteed fix times, designed to speed problem identification and resolution.

- *6-Hour Call to Repair, On-site Service, 7-Day x 24-Hour Coverage, 3 Years*

Total Care - Highest HP Support service level recommend to help increase IT performance and availability with comprehensive, integrated hardware and software services

- *Support Plus 24 - Onsite HW support 24x7, 4hr response and Microsoft O/S SW Tech support offsite, onsite at HP's discretion, 24x7 2hr response time incl. HP holidays*

Deployment Services - HP Installation and Start Up services designed to take time, risk, and worry out of the deployment of ProLiant servers - and free customers IT support staff to focus on what they do best, their business.

- *Installation & Start-Up of a ProLiant server and Microsoft or Linux O/S per the Customer Description and/or Data Sheet. To be delivered on a scheduled basis 8am-5pm, M-F, excl. HP holidays*

Standard Features

NOTE: For a complete listing of service offerings and information visit:

<http://www.hp.com/services/proliantservices>

<http://www.hp.com/go/proliant/carepack>

Models

NOTE: ProLiant Smart Buys are available in NA only. For detailed specification information on ProLiant Smart Buys please click on the following link: <ftp://ftp.compaq.com/pub/products/servers/smartbuys.pdf>.

SAS Models

DL380R04 X3.0-2MB/800, 1GB SAS 382483-xx1	Processor(s)	(1) Intel Xeon Processor 3.0 GHz (up to 2 supported)
	Cache Memory	2MB level 2 cache per processor
	Memory	1 GB (2 x 512 MB) of 2-way interleaved PC2-3200R 400MHz DDR2 with Advanced ECC and online spare memory capabilities
	Network Controller	Embedded NC7782 PCI-X Gigabit Server Adapter
	Storage Controller	Smart Array P600/256 BBWC Controller (installed in PCI-X slot)
	Hard Drive	None ship standard
	Internal Storage	1.168TB max (with optional hard drives)
	Optical Drive	24x IDE CD-ROM (Universal Media Bay)
	Diskette Drive	Optional
	Form Factor	Rack (2U), (3.5-inch)
Availability	Hot Plug Fully Redundant Fans Standard	

DL380R04 X3.4-2MB/800, 1GB SAS 382484-xx1	Processor(s)	(1) Intel Xeon Processor 3.4 GHz (up to 2 supported)
	Cache Memory	2MB level 2 cache per processor
	Memory	1 GB (2 x 512 MB) of 2-way interleaved PC2-3200R 400MHz DDR2 with Advanced ECC and online spare memory capabilities
	Network Controller	Embedded NC7782 PCI-X Gigabit Server Adapter
	Storage Controller	Smart Array P600/256 BBWC Controller (installed in PCI-X slot)
	Hard Drive	None ship standard
	Internal Storage	1.168TB max (with optional hard drives)
	Optical Drive	24x IDE CD-ROM (Universal Media Bay)
	Diskette Drive	Optional
	Form Factor	Rack (2U), (3.5-inch)
Availability	Hot Plug Fully Redundant Fans Standard	

Models

DL380R04 X3.6-2MB/800, 2GB SAS High Performance 382485-xx1	Processor(s)	(2) Intel Xeon Processor 3.6 GHz
	Cache Memory	2MB level 2 cache per processor
	Memory	2 GB (2 x 1024 MB) of 2-way interleaved PC2-3200R 400MHz DDR2 with Advanced ECC and online spare memory capabilities
	Network Controller	Embedded NC7782 PCI-X Gigabit Server Adapter
	Storage Controller	Smart Array P600/256 BBWC Controller (installed in PCI-X slot)
	Hard Drive	None ship standard
	Internal Storage	1.168TB max (with optional hard drives)
	Optical Drive	DVD-ROM Drive
	Diskette Drive	1.44 MB Diskette Drive
	Form Factor	Rack (2U), (3.5-inch)
	Availability	Hot Plug Fully Redundant Fans Standards Hot Plug Redundant Power Supplies Standard

DL380R04 X3.8-2MB/800, 1GB SAS 397628-xx1	Processor(s)	(1) Intel Xeon Processor 3.8 GHz (up to 2 supported)
	Cache Memory	2MB level 2 cache per processor
	Memory	1 GB (2 x 512 MB) of 2-way interleaved PC2-3200R 400MHz DDR2 with Advanced ECC and online spare memory capabilities
	Network Controller	Embedded NC7782 PCI-X Gigabit Server Adapter
	Storage Controller	Smart Array P600/256 BBWC Controller (installed in PCI-X slot)
	Hard Drive	None ship standard
	Internal Storage	1.168TB max (with optional hard drives)
	Optical Drive	24x IDE CD-ROM (Universal Media Bay)
	Diskette Drive	Optional
	Form Factor	Rack (2U), (3.5-inch)
	Availability	Hot Plug Fully Redundant Fans Standard

U320 SCSI Models (Processors with 2MB Level 2 cache)

DL380R04 X3.8-2MB/800, 1GB 378741-xx1	Processor(s)	(1) Intel Xeon Processor 3.8 GHz (up to 2 supported)
	Cache Memory	2MB level 2 cache per processor
	Memory	1 GB (2 x 512 MB) of 2-way interleaved PC2-3200R 400MHz DDR2 with Advanced ECC and online spare memory capabilities
	Network Controller	Embedded NC7782 PCI-X Gigabit Server Adapter
	Storage Controller	Ultra320 Smart Array 6i Controller (integrated on system board)
	Hard Drive	None ship standard
	Internal Storage	1.8TB max (with optional hard drives)
	Optical Drive	24x IDE CD-ROM (Universal Media Bay)
	Diskette Drive	Optional
	Form Factor	Rack (2U), (3.5-inch)
	Availability	Hot Plug Fully Redundant Fans Standard

Models

**DL380R04 X3.6-
2MB/800, 1GB
378739-xx1**

Processor(s)	(1) Intel Xeon Processor 3.6 GHz (up to 2 supported)
Cache Memory	2MB level 2 cache per processor
Memory	1 GB (2 x 512 MB) of 2-way interleaved PC2-3200R 400MHz DDR2 with Advanced ECC and online spare memory capabilities
Network Controller	Embedded NC7782 PCI-X Gigabit Server Adapter
Storage Controller	Ultra320 Smart Array 6i Controller (integrated on system board)
Hard Drive	None ship standard
Internal Storage	1.8TB max (with optional hard drives)
Optical Drive	24x IDE CD-ROM (Universal Media Bay)
Diskette Drive	Optional
Form Factor	Rack (2U), (3.5-inch)
Availability	Hot Plug Fully Redundant Fans Standard

**DL380R04 X3.4-
2MB/800, 1GB
378737-xx1**

Processor(s)	(1) Intel Xeon Processor 3.4 GHz (up to 2 supported)
Cache Memory	2MB level 2 cache per processor
Memory	1 GB (2 x 512 MB) of 2-way interleaved PC2-3200R 400MHz DDR2 with Advanced ECC and online spare memory capabilities
Network Controller	Embedded NC7782 PCI-X Gigabit Server Adapter
Storage Controller	Ultra320 Smart Array 6i Controller (integrated on system board)
Hard Drive	None ship standard
Internal Storage	1.8TB max (with optional hard drives)
Optical Drive	24x IDE CD-ROM (Universal Media Bay)
Diskette Drive	Optional
Form Factor	Rack (2U), (3.5-inch)
Availability	Hot Plug Fully Redundant Fans Standard

**DL380R04 X3.2-
2MB/800, 1GB
378736-xx1**

Processor(s)	(1) Intel Xeon Processor 3.2 GHz (up to 2 supported)
Cache Memory	2MB level 2 cache per processor
Memory	1 GB (2 x 512 MB) of 2-way interleaved PC2-3200R 400MHz DDR2 with Advanced ECC and online spare memory capabilities
Network Controller	Embedded NC7782 PCI-X Gigabit Server Adapter
Storage Controller	Ultra320 Smart Array 6i Controller (integrated on system board)
Hard Drive	None ship standard
Internal Storage	1.8TB max (with optional hard drives)
Optical Drive	24x IDE CD-ROM (Universal Media Bay)
Diskette Drive	Optional
Form Factor	Rack (2U), (3.5-inch)
Availability	Hot Plug Fully Redundant Fans Standard

Models

**DL380R04 X3.0-
2MB/800, 1GB
378735-xx1**

Processor(s)	(1) Intel Xeon Processor 3.0 GHz (up to 2 supported)
Cache Memory	2MB level 2 cache per processor
Memory	1 GB (2 x 512 MB) of 2-way interleaved PC2-3200R 400MHz DDR2 with Advanced ECC and online spare memory capabilities
Network Controller	Embedded NC7782 PCI-X Gigabit Server Adapter
Storage Controller	Ultra320 Smart Array 6i Controller (integrated on system board)
Hard Drive	None ship standard
Internal Storage	1.8TB max (with optional hard drives)
Optical Drive	24x IDE CD-ROM (Universal Media Bay)
Diskette Drive	Optional
Form Factor	Rack (2U), (3.5-inch)
Availability	Hot Plug Fully Redundant Fans Standard

**DL380R04 X3.8-
2MB/800, 2GB High
Performance
378742-xx1**

Processor(s)	(2) Intel Xeon Processor 3.8 GHz
Cache Memory	2MB level 2 cache per processor
Memory	2 GB (2 x 1024 MB) of 2-way interleaved PC2-3200R 400MHz DDR2 with Advanced ECC and online spare memory capabilities
Network Controller	Embedded NC7782 PCI-X Gigabit Server Adapter
Storage Controller	Ultra320 Smart Array 6i Controller (integrated on system board) with 128MB Battery Backed Write Cache (BBWC) and Duplex backplane standard (SCSI configuration kit)
Hard Drive	None ship standard
Optical Drive	DVD-ROM Drive
Diskette Drive	1.44 MB Diskette Drive
Form Factor	Rack (2U), (3.5-inch)
Availability	Hot Plug Fully Redundant Fans Standards Hot Plug Redundant Power Supplies Standard

**DL380R04 X3.6-
2MB/800, 2GB High
Performance
378740-xx1**

Processor(s)	(2) Intel Xeon Processor 3.6 GHz
Cache Memory	2MB level 2 cache per processor
Memory	2 GB (2 x 1024 MB) of 2-way interleaved PC2-3200R 400MHz DDR2 with Advanced ECC and online spare memory capabilities
Network Controller	Embedded NC7782 PCI-X Gigabit Server Adapter
Storage Controller	Ultra320 Smart Array 6i Controller (integrated on system board) with 128MB Battery Backed Write Cache (BBWC) and Duplex backplane standard (SCSI configuration kit)
Hard Drive	None ship standard
Optical Drive	DVD-ROM Drive
Diskette Drive	1.44 MB Diskette Drive
Form Factor	Rack (2U), (3.5-inch)
Availability	Hot Plug Fully Redundant Fans Standards Hot Plug Redundant Power Supplies Standard

Models

**DL380R04 X3.4-
2MB/800, 2GB High
Performance
378738-xx1**

Processor(s)	(2) Intel Xeon Processor 3.4 GHz
Cache Memory	2MB level 2 cache per processor
Memory	2 GB (2 x 1024 MB) of 2-way interleaved PC2-3200R 400MHz DDR2 with Advanced ECC and online spare memory capabilities
Network Controller	Embedded NC7782 PCI-X Gigabit Server Adapter
Storage Controller	Ultra320 Smart Array 6i Controller (integrated on system board) with 128MB Battery Backed Write Cache (BBWC) and Duplex backplane standard (SCSI configuration kit)
Hard Drive	None ship standard
Optical Drive	DVD-ROM Drive
Diskette Drive	1.44 MB Diskette Drive
Form Factor	Rack (2U), (3.5-inch)
Availability	Hot Plug Fully Redundant Fans Standards Hot Plug Redundant Power Supplies Standard

Country Code Key	XX=00	U.S.
	XX=20	Brazil
	XX=29	Japan
	XX=37	APD
	XX=42	Euro
	XX=AA	PRC

Configuration Information - Factory Integrated Models (North America only)

NOTE: For Configure to Order requirements within EMEA region, please consult local Sales Contact.

NOTE: HP does not allow factory integration of options into standard models listed above.

Configure-to-order servers must start with a CTO Chassis.

NOTE: This product offering does not support HP Factory Express Server Configuration Level 1.

NOTE: FIO indicates that this option only available as a Factory Installable Option.

Step 1: Base Configuration

Models	<p>HP ProLiant DL380G4 U320 SCSI Rack Chassis (North America) 371293-405</p> <p>Factory Integrated Model ships with:</p> <ul style="list-style-type: none"> (6) U320 SCSI Drive Bays Ultra320 Smart Array 6i Controller (integrated on system board) Embedded NC7782 PCI-X Gigabit Server Adapter Three available 64-bit PCI-X slots, including two non-hot plug 100MHz slots and one non-hot plug 133MHz slot 575 Watt hot plug power supply, CE Mark Compliant One Lowline NEMA power cord and One Highline IEC Power cord 5 hot plug fans Rack (2U), (3.5-inch)
	<p>HP ProLiant DL380G4 SAS Model Rack Chassis (North America) 383891-405</p> <p>Factory Integrated Model ships with:</p> <ul style="list-style-type: none"> (8) SFF Serial Attached SCSI (SAS) Drive Bays Embedded NC7782 PCI-X Gigabit Server Adapter Three 64-bit PCI-X slots (2 available after SAS starter kit installed), including two non-hot plug 100MHz slots and one non-hot plug 133MHz slot 575 Watt hot plug power supply, CE Mark Compliant One Lowline NEMA power cord and One Highline IEC Power cord 8 hot plug fans Rack (2U), (3.5-inch)

Step 1A: If SAS Model, Choose SAS Starter Kit or Controller (only one of the following)

SAS Controller	<p>HP Smart Array P600/256 BBWC Controller 337972-B21</p> <p>NOTE: This is a required selection if one of the two following SAS Starter Kits is not selected. If choosing this sku, SFF SAS hard drives must still be selected under Step 4.</p>
SAS Starter Kit	<p>SAS Starter Kit - 36GB 396221-B21</p> <p>NOTE: Includes Smart Array P600/256 BBWC Controller and (2) 36GB SFF SAS Universal Hard Drives.</p> <p>SAS Starter Kit - 72GB 396220-B21</p> <p>NOTE: Includes Smart Array P600/256 BBWC and (2) 72GB SFF SAS Universal Hard Drives.</p>

Configuration Information - Factory Integrated Models (North America only)

Step 2: Choose Required Options (only one of the following from each list unless otherwise noted)

Processors	Intel X2.8-2MB/800MHz DL380 G4 FIO BASE	397645-L22
	NOTE: If 2 processors are desired, select one 397645-L22 and one 397645-B21. Redundant Fan Kit (293048-B21) also required if choosing this processor with 371293-405.	
	Intel X3.8-2MB/800MHz DL380 G4 FIO BASE	378752-L22
	NOTE: If 2 processors are desired, select one 378752-L22 and one 378752-B21 unless High Performance Model features are sought. If HPM features are desired, select one 378752-L22 and one 382618-001. Unless 382618-001 is selected, a Redundant Fan Kit (293048-B21) is also required if choosing this processor with 371293-405.	
	Intel X3.0-2MB/800MHz LV DL380 G4 FIO BASE	397646-L22
	NOTE: If 2 processors are desired, select one 397646-L22 and one 397646-B21. Redundant Fan Kit (293048-B21) also required if choosing this processor with 371293-405.	
	Intel X3.0/800-2M 380 G4 FIO BASE	378748-L22
NOTE: If 2 processors are desired, select one 378748-L22 and one 378748-B21. Redundant Fan Kit (293048-B21) also required if choosing this processor with 371293-405.		
Intel X3.2/800-2M 380 G4 FIO BASE	378749-L22	
NOTE: If 2 processors are desired, select one 378749-L22 and one 378749-B21. Redundant Fan Kit (293048-B21) also required if choosing this processor with 371293-405.		
Intel X3.4/800-2M 380 G4 FIO BASE	378750-L22	
NOTE: If 2 processors are desired, select one 378750-L22 and one 378750-B21 unless High Performance Model features are sought. If HPM features are desired, select one 378750-L22 and one 382616-001. Unless 382616-001 is selected, a Redundant Fan Kit (293048-B21) is also required if choosing this processor with 371293-405.		
Intel X3.6/800-2M 380 G4 FIO BASE	378751-L22	
NOTE: If 2 processors are desired, select one 378751-L22 and one 378751-B21 unless High Performance Model features are sought. If HPM features are desired, select one 378751-L22 and one 382617-001 or 391323-001 if SAS HPM model. Unless 382617-001 is selected, a Redundant Fan Kit (293048-B21) is also required if choosing this processor with 371293-405.		
Base Memory	1 GB of Advanced PC2 PC3200 DDR2 SDRAM DIMM Memory Kit (2 x 512 MB)	343055-B21
	2 GB of Advanced PC2 PC3200 DDR2 SDRAM DIMM Memory Kit (2 x 1024 MB)	343056-B21
	4 GB of Advanced PC2 PC3200 DDR2 SDRAM DIMM Memory Kit (2 x 2048 MB)	343057-B21

Configuration Information - Factory Integrated Models (North America only)

Step 3: Choose Additional Factory Integratable Options

Optical Drive	Slimline DVD-ROM Drive (8x/24x) Option Kit	264007-B21
	Slimline CD-RW/DVD-ROM Combo Option Kit	331903-B21
	HP ProLiant Slim CD-ROM FIO Base	338732-B21
Performance Packs	The HP ProLiant DL380 G4 performance packs are necessary to configure a HP ProLiant DL380 G4 High Performance Model. HP ProLiant DL380 G4 High Performance model includes the latest performance technologies and enterprise class availability features pre-installed for convenience and value. The performance pack includes a 2nd processor, redundant fans and power supplies, floppy drive, 128MB (U320 SCSI models) or 256MB (SAS models) of BBWC and the duplex backplane option for U320 SCSI (SCSI configuration kit).	
	HP DL380G4 3.4/2M HPM Perf Pack FIO, US	382616-001
	HP DL380G4 3.6/2M HPM Perf Pack FIO, US	382617-001
	HP DL380G4 3.8/2M HPM Perf Pack FIO	382618-001
	HP DL380G4 3.6/2M SAS HPM Perf Pack FIO, US	391323-001
	HP DL380G4 X2.8-800-2x2M HPM Perf Pack FIO, US (Dual-core)	399631-001

Step 4: Choose Additional Options for Factory Integration

NOTE: For additional options, please refer to the "Options" section below.

Options

NOTE: Some options may not be factory integratable. Please contact your local sales representative for additional information.

HP ProLiant DL380 G4	PCI-X Hot Plug Riser Cage Option Kit	354676-B21
Unique Options	PCI Express Riser Cage Option Kit	354675-B21
	NOTE: Not Supported on SAS models. For information about PCI Express visit: http://www.hp.com/servers/pci-express .	

ProLiant Essentials Value Pack Software	ProLiant Essentials Intelligent Networking Pack	
	ProLiant Essentials Intelligent Networking Pack - Windows Edition, Single Server License	436225-B21
	NOTE: For use with a single server. Contains one license with a unique license activation key and documentation.	
	NOTE: For additional ProLiant Intelligent Networking Pack License Kits please see the QuickSpecs at: http://h18000.www1.hp.com/products/quickspecs/12062_div/12062_div.HTML	
	ProLiant Essentials Intelligent Networking Pack - Linux Edition, Single Server License	436229-B21
	NOTE: For additional ProLiant Intelligent Networking Pack License Kits please see the QuickSpecs at: http://h18000.www1.hp.com/products/quickspecs/12327_div/12327_div.HTML	
	ProLiant Essentials Performance Management Pack	
	ProLiant Essentials Performance Management Pack, Single-Server License	306696-B21
	NOTE: For use with a single server. Contains one license with a unique license activation key, HP Management CD and documentation.	
	NOTE: The most recent version of the software can always be downloaded at http://www.hp.com/products/pmp .	
	NOTE: For additional ProLiant Performance Management Pack License Kits please see the QuickSpecs at: http://h18000.www1.hp.com/products/quickspecs/11925_div/11925_div.HTML	
	ProLiant Essentials Rapid Deployment Pack Windows Edition Release	
Rapid Deployment Pack, Single-Server License	267196-B21	
NOTE: This license allows 1 server to be deployed and managed via RDP.		
Rapid Deployment Pack, Single-Server License (Japan)	267196-291	
NOTE: This license allows 1 server to be deployed and managed via RDP.		
ProLiant Essentials Rapid Deployment Pack - Physical Media Kit	434559-B21	
ProLiant Essentials Rapid Deployment Pack Flatpack - single-server license	434560-B21	
NOTE: For additional ProLiant Essentials Rapid Deployment Pack License Kits please see the QuickSpecs at: http://h18000.www1.hp.com/products/quickspecs/11053_div/11053_div.HTML		
ProLiant Essentials Workload Management Pack		
ProLiant Essentials Workload Management Pack, Single Server License	303284-B21	
NOTE: For additional ProLiant Workload Management Pack License Kits please see the QuickSpecs at: http://h18000.www1.hp.com/products/quickspecs/11452_div/11452_div.HTML		
ProLiant Essentials Virtualization Management Software		
ProLiant Essentials Virtual Machine Management Pack, Single-Server License	435661-B21	
NOTE: For use with a single server. Contains one license with a unique license activation key and documentation.		

Options

<p>ProLiant Essentials Server Migration Pack, Single-Migration License NOTE: Contains one license, enabling 1 server migration, with a unique license activation key and documentation. NOTE: This license allows 1 server to be migrated from a physical server to a virtual machine. Or this license can be used to migrate a virtual machine from one virtualization layer i.e. VMware GSX to a different virtualization layer such as VMware ESX or Microsoft Virtual Server 2005.</p>	435663-B21
<p>HP ProLiant Essentials Server Migration Pack - Physical to ProLiant Edition. 1 Year Unlimited Migration License</p>	412982-B21
<p>ProLiant Essentials Server Migration Pack - Physical to ProLiant Edition, Single-Migration License NOTE: For additional ProLiant Essentials Virtualization Management Software License Kits please see the QuickSpecs at: http://h18000.www1.hp.com/products/quickspecs/12328_div/12328_div.HTML</p>	412978-B21
<p>ProLiant Essentials Vulnerability and Patch Management Pack ProLiant Essentials Vulnerability and Patch Management Pack, Single-Server License NOTE: For use with a single server. Contains one license with a unique license activation key and documentation. NOTE: For additional ProLiant Vulnerability and Patch Management Pack License Kits, please see the QuickSpecs at: http://h18000.www1.hp.com/products/quickspecs/12111_div/12111_div.HTML NOTE: Flexible and volume quantity license kits are available for ProLiant Essentials Value Packs. Refer to http://www.hp.com/servers/proliantessentials or the various ProLiant Essentials Value Pack product QuickSpecs for more information. NOTE: For more information regarding ProLiant Essentials Software, please see the following URL: http://www.hp.com/servers/proliantessentials.</p>	371645-B21

Remote Management	<p>Integrated Lights-Out Advanced Pack Integrated Lights-Out Advanced Pack, 1 server Featuring: Sophisticated virtual administration features for ultimate control of servers in the data centers and remote sites. NOTE: For additional Integrated Light-Out Advanced Pack License Kits please see the QuickSpecs at: http://h18000.www1.hp.com/products/quickspecs/11052_div/11052_div.HTML</p>	263825-B21
--------------------------	---	------------

ProLiant Software Maintenance Subscription	<p>ProLiant Software Maintenance Subscription ProLiant Software Maintenance Single Release ProLiant Foundation Pack Single Release NOTE: Please see the SmartStart QuickSpecs for additional information regarding the subscription purchase: http://h18000.www1.hp.com/products/quickspecs/Division/11073.html (Worldwide)</p>	355060-B21 356573-B21 356604-B21
---	---	--

Options

Processor	Intel Xeon X3.2-1MB/800MHz Processor Option Kit	374492-B21
	Intel Xeon X2.8-2MB/800MHz Processor Option Kit	397645-B21
	Intel Xeon X3.0-2MB/800MHz Processor Option Kit	378748-B21
	Intel Xeon X3.0-2MB/800MHz LV Processor Option Kit	397646-B21
	Intel Xeon X3.2-2MB/800MHz Processor Option Kit	378749-B21
	Intel Xeon X3.4-2MB/800MHz Processor Option Kit	378750-B21
	Intel Xeon X3.6-2MB/800MHz Processor Option Kit	378751-B21
	Intel Xeon X3.8-2MB/800MHz Processor Option Kit	378752-B21

Memory	1 GB of Advanced PC2 PC3200 DDR2 SDRAM DIMM Memory Kit (2 x 512 MB)	343055-B21
	2 GB of Advanced PC2 PC3200 DDR2 SDRAM DIMM Memory Kit (2 x 1024 MB)	343056-B21
	4 GB of Single-Ranked PC2 PC3200 DDR2 SDRAM DIMM Memory Kit (2 x 2048 MB)	343057-B21
	4 GB of 2-Rank Advanced ECC PC3200 DDR2-400 SDRAM DIMM Memory Kit (2 x 2048 MB)	375004-B21
	NOTE: There are configuration limitations associated with this kit, please see memory section for more information.	

Optical Drives	Slimline CD-RW/DVD-ROM Combo Option Kit	331903-B21
	Slimline DVD-ROM Drive (8x/24x) Option Kit	264007-B21
	NOTE: Included in high performance models. HP DVD±R/RW 8X Slim	383975-B21

Diskette Drive	Floppy Drive Option Kit	364507-B21
	NOTE: For U320 SCSI models only. NOTE: Included in high performance models.	
	Floppy Drive Option Kit, SAS	393998-B21
	NOTE: For SAS models only.	

Options

Hard Drives

Ultra320 SCSI - Universal Hot Plug

HP 300GB U320 10K Universal HDD	350964-B22
HP 146GB U320 10K Universal HDD	286716-B22
HP 72GB U320 10K Universal HDD	286714-B22
HP 300GB U320 15K Universal HDD	411089-B22
HP 146GB U320 15K Universal HDD	347708-B22
HP 72GB U320 15K Universal HDD	286778-B22
HP 36GB U320 15K Universal HDD	286776-B22

NOTE: All U320 Universal Hard Drives are backward compatible to U2 or U3 speeds.

NOTE: Please see the Hard Drive QuickSpecs for Technical Specifications such as capacity, height, width, interface, transfer rate, seek time, physical configuration, and operating temperature:

http://h18000.www1.hp.com/products/quickspecs/11531_div/11531_div.HTML
(Worldwide)

SFF SATA Hot Plug

HP 60GB 1.5G SATA 5.4K SFF HDD	379306-B21
--------------------------------	------------

NOTE: SATA drives have a 1 year warranty. Please see the SATA Hard Drive QuickSpecs for Technical Specifications such as capacity, height, width, interface, transfer rate, seek time, physical configuration, and operating temperature:

http://h18000.www1.hp.com/products/quickspecs/12091_div/12091_div.HTML
(Worldwide)

SAS Hot Plug

HP 146GB 3G SAS 10K SFF SP HDD	431958-B21
HP 72GB 3G SAS 10K SFF SP HDD	375861-B21
HP 72GB 3G SAS 15K SFF SP HDD	431935-B21
HP 36GB 3G SAS 10K SFF SP HDD	375859-B21
HP 36GB 3G SAS 15K SFF SP HDD	431933-B21

NOTE: All SAS Universal Hard Drives are supported ONLY by HP ProLiant DL380 G4 SAS models.

NOTE: Please see the SAS Hard Drive QuickSpecs for Technical Specifications such as capacity, height, width, interface, transfer rate, seek time, physical configuration, and operating temperature:

http://h18000.www1.hp.com/products/quickspecs/12244_div/12244_div.HTML
(Worldwide)

SCSI Configuration Kit

SCSI Configuration Kit

364471-B21

NOTE: Kit Includes duplex drive backplane terminator and 2 long SCSI cables. Not supported on SAS models.

Options

Storage Controllers

NOTE: Please refer to the HP ProLiant DL380 G4 SCSI Cabling Matrix for information on what's required to cable optional array controllers:

<ftp://ftp.compaq.com/pub/products/servers/proliantdl380/dl380g4-cabling-matrix.pdf>

SCSI Controllers

128MB Battery-Backed Write Cache with Battery Housing 346914-B21

NOTE: For Smart Array 6i Controller. Included in high performance models.

Smart Array 6402/128 Controller 273915-B21

Smart Array 6404/256 Controller 273914-B21

Smart Array 641 Controller 291966-B21

NOTE: Not supported on SAS model.

Smart Array 642 Controller 291967-B21

128-MB BBWC (Battery-Backed Write Cache) Enabler 351580-B21

NOTE: This 128MB BBWC supports the Smart Array 641 Controller and Smart Array 642 Controller.

Ultra320 Expansion Module for SA-6402 273911-B21

64-Bit/133-MHz Single Channel Ultra320 SCSI HBA G2 374654-B21

NOTE: Please see the following QuickSpecs for Technical Specifications and additional information:

http://h18000.www1.hp.com/products/quickspecs/12030_div/12030_div.HTML
(Smart Array 6i)

http://h18000.www1.hp.com/products/quickspecs/11587_div/11587_div.HTML
(Smart Array 6400 Series)

http://h18000.www1.hp.com/products/quickspecs/12067_div/12067_div.HTML
(Smart Array 641)

http://h18000.www1.hp.com/products/quickspecs/12069_div/12069_div.HTML
(Smart Array 642)

http://h18000.www1.hp.com/products/quickspecs/11943_div/11943_div.HTML
(Single Channel U320 SCSI G2 HBA)

SAS Controller

Smart Array P600 Controller

HP Smart Array P600/256 BBWC Controller 337972-B21

NOTE: Ships standard on SAS models.

512MB DDR BBWC Upgrade 372538-B21

NOTE: Please see the following QuickSpecs for Technical Specifications and additional information:

http://h18000.www1.hp.com/products/quickspecs/12247_div/12247_div.HTML
(Smart Array P600 Controller)

SAS HBA

HP SC44Ge Host Bus Adapter 416096-B21

HP 8 Internal Port SAS HBA with RAID 347786-B21

NOTE: Please see the following QuickSpecs for additional information:

http://h18004.www1.hp.com/products/quickspecs/12617_div/12617_div.html
(SC44Ge HBA)

http://h18004.www1.hp.com/products/quickspecs/12332_div/12332_div.html
(SAS HBA)

Options

Communications	HP NC110T PCI Express Gigabit Server Adapter	434905-B21
	HP NC150T PCI 4-port Gigabit 1000T Combo Switch Adapter	367132-B21
	HP NC310F PCI-X 1000SX Gigabit Server Adapter	368169-B21
	HP NC340T PCI-X 4-port 1000T Gigabit Server Adapter	391661-B21
	HP NC360T PCI Express Dual Port Gigabit Server Adapter	412648-B21
	HP NC373F PCI Express Multifunction Gigabit Server Adapter	394793-B21
	HP NC373T PCI Express Multifunction Gigabit Server Adapter	394791-B21
	HP NC380T PCI Express Dual Port Multifunction Gigabit Server Adapter	394795-B21
	HP NC510F PCIe 10 Gigabit Server Adapter	414126-B21
	NOTE: A minimum of 1 gigabyte (1 GB) of server memory is required per each NC510F adapter.	
	HP NC510C PCIe 10 Gigabit Server Adapter	414129-B21
	NOTE: A minimum of 1 gigabyte (1 GB) of server memory is required per each NC510C adapter.	
HP NC7771 PCI-X 1000T Gigabit Server Adapter	290563-B21	
HP IB 4X SDR PCI-e single PORT HCA	431038-B21	
HP IB 4X DDR PCI-e Single PORT HCA	431039-B21	

Redundant Options	Hot Plug AC Redundant Power Supply Module (NEMA and IEC cord) (NA and Japan)	355892-001
	Hot Plug AC Redundant Power Supply Module (IEC cord only) (WW)	355892-B21
	Redundant Fan Option Kit	293048-B21
	NOTE: Hot Plug Redundant Fan Option Kit (PN 293048-B21) contains three fans per kit, it is included in all 2MB Cache, SAS and high performance models.	

Management Options	Remote Insight Lights-Out Edition II (NA, LA)	227251-001
	Remote Insight Lights-Out Edition II (EMEA)	227251-021
	Remote Insight Lights-Out Edition II (ROW)	227251-371

Tape Drives

NOTE: For complete listing of tape drive offerings see <http://www.hp.com/products1/storage/compatibility/tapebackup/ISS/index.html>
For recommended tape drive offerings for this ProLiant server see the following:

USB Tape Drives

HP StorageWorks DAT 72 USB Internal Tape Drive (Carbonite)	DW026A
--	--------

NOTE: HP recommends combining this tape drive with the 1U USB Rack-Mount kit (A8007A) for a complete rack-mount solution.

Ultrium Tape Drives

NOTE: The Ultrium tape drives must be connected to one of the supported U320 SCSI controllers listed in the Storage section of this document.

HP StorageWorks Ultrium 232 Internal Tape Drive (Carbonite)	DW064A
---	--------

NOTE: HP recommends combining this tape drive with the 1U SCSI Rack-Mount kit (A7445B) for a complete rack-mount solution.

HP StorageWorks 3U SCSI Rack-mount kit with one Ultrium 460 (Carbon)	350546-B22
--	------------

HP StorageWorks 1U SCSI Rack-mount kit with one Ultrium 448 SCSI Tape Drive (Carbonite)	DW028B
---	--------

Options

HP StorageWorks 1U SCSI Rack-mount kit with one Ultrium 920 EH903A
 HP StorageWorks 3U SCSI Rack-mount kit with one Ultrium 960 (Carbonite) Q1595B

NOTE: Please see the HP StorageWorks Ultrium Tape Drive QuickSpecs for additional options such as controllers, media, and other related items:
http://h18006.www1.hp.com/products/quickspecs/11739_div/11739_div.html
 (Worldwide)
http://h18006.www1.hp.com/products/quickspecs/12128_div/12128_div.html
 (Worldwide)

For an up-to-date listing of the latest O/S and software support details for HP Ultrium tape drives, please visit: <http://www.hp.com/go/connect>.

Rack-Mount Tape Drive Enclosures

HP StorageWorks 1U SCSI Rack-Mount kit A7445B

NOTE: The 1U Rack-Mount Kit can support up to (2) half-height tape drives and is compatible with multiple Single-Ended and LVD SCSI tape drives including the DAT 24, DAT 40, DAT 72, DLT VS80, DLT VS160, Ultrium 215, Ultrium 232, Ultrium 448 and Ultrium 920 tape drives.

HP StorageWorks 1U USB Rack-Mount Kit A8007A

NOTE: The 1U USB Rack-Mount Kit can support up to (2) half-height tape drives and is compatible with the DAT 24 USB, DAT 40 USB and DAT 72 USB tape drives.

HP StorageWorks 3U Rack-mount kit 274338-B22

NOTE: The 3U Rack-mount Kit can support up to (2) full-height or (4) half-height tape drives and compatible with multiple LVD SCSI tape drives including DAT 40, DAT 72, DLT VS160, SDLT 320, SDLT 600, Ultrium 232, Ultrium 460, Ultrium 448, Ultrium 920 and Ultrium 960 tape drives.

NOTE: Please see the Rack-Mount Tape Drive Kits QuickSpecs for additional information regarding these kits:

http://h18000.www1.hp.com/products/quickspecs/10854_div/10854_div.HTML
 (Worldwide)

Tape Autoloaders

HP StorageWorks DAT Autoloader

HP StorageWorks DAT 72x10 tape autoloader AE313A

HP StorageWorks 1/8 Tape Autoloader

HP StorageWorks 1/8 Ultrium 920 G2 Tape Autoloader AH165A

HP StorageWorks 1/8 Ultrium 448 G2 Tape Autoloader AH164A

HP StorageWorks 1/8 Ultrium 232 G2 Tape Autoloader AH163A

HP StorageWorks 1/8 G2 Tape Autoloader Rack Kit AH166A

NOTE: Required to install the 1/8 G2 Autoloaders in a standard 19-inch rack; includes rails and rackmount instructions

NOTE: Please reference the Tape Autoloader QuickSpecs at <http://www.hp.com/go/automation> for additional information needed to create a complete solution; reference current compatibility information at <http://www.hp.com/go/ebs>

Options

Tape Libraries

HP StorageWorks MSL2024 Tape Library

HP StorageWorks MSL2024 1 Ultrium 960 Drive Library	AG115A
HP StorageWorks MSL2024 1 Ultrium 960 4GB FC Drive Library	AG326B
HP StorageWorks MSL2024 1 Ultrium 920 Drive Library	AH169A
HP StorageWorks MSL2024 2 Ultrium 920 Drive Library	AH170A
HP StorageWorks MSL2024 1 Ultrium 448 Drive Library	AG116A
HP StorageWorks MSL2024 2 Ultrium 448 Drive Library	AG117A

HP StorageWorks MSL4048 Tape Library

HP StorageWorks MSL4048 1 Ultrium 448 Drive Library	AG320A
HP StorageWorks MSL4048 2 Ultrium 448 Drive Library	AG321A
HP StorageWorks MSL4048 1 Ultrium 920 Drive Library	AH171A
HP StorageWorks MSL4048 2 Ultrium 920 Drive Library	AH172A
HP StorageWorks MSL4048 1 Ultrium 960 Drive Library	AG322A
HP StorageWorks MSL4048 1 Ultrium 960 4GB FC Drive Library	AG324B
HP StorageWorks MSL4048 2 Ultrium 960 Drive Library	AG323A
HP StorageWorks MSL4048 2 Ultrium 960 4GB FC Drive Library	AG325B

HP StorageWorks MSL6000 Tape Library

Ultrium 960 technology

HP StorageWorks MSL6030 1 Ultrium 960 Dr LVDS Library	AD606B
HP StorageWorks MSL6030 1 Ultrium 960 Dr FC Library	AD608B
HP StorageWorks MSL6030 2 Ultrium 960 Dr LVDS Library	AD607B
HP StorageWorks MSL6030 2 Ultrium 960 Dr FC Library	AD609B

Ultrium 460 technology

HP StorageWorks MSL6030 1 Ultrium 460 Dr LVDS Library	AD598B
HP StorageWorks MSL6030 1 Ultrium 460 Dr FC Library	AD600B
HP StorageWorks MSL6030 2 Ultrium 460 Dr LVDS Library	AD599B
HP StorageWorks MSL6030 2 Ultrium 460 Dr FC Library	AD601B

NOTE: Please reference the MSL2024, MSL4048 and MSL6000 Tape Library QuickSpecs at <http://www.hp.com/go/automation> for additional information needed to create a complete solution; reference current compatibility information at <http://www.hp.com/go/ebs>.

HP Data Protector Express Software

HP DP Express Backup Server Upgrade for ProLiant Software	BB117AP
HP DP Express Package for Microsoft Small Business Server	BB118AA

NOTE: Please see the HP Data Protector Express QuickSpecs for additional information regarding the purchase of HP Data Protector Express software: http://h18000.www1.hp.com/products/quickspecs/12337_div/12337_div.html (Worldwide)

NOTE: To obtain a free licensed copy of HP Data Protector Express for ProLiant edition software, please visit the "Protect Your Data" link accessible from your ProLiant server's System Management Homepage (SMH) software (SmartStart 7.5 or later).

Options

Cluster Options	<p>ProLiant Cluster Starter Kit 364023-B22</p> <p>NOTE: For additional information regarding the ProLiant Cluster Starter Kit please see the following QuickSpecs at: http://h18000.www1.hp.com/products/quickspecs/11935_div/11935_div.html (Worldwide)</p> <p>ProLiant Cluster HA/F200 for the Entry Level SAN 364026-B22</p> <p>NOTE: For additional information regarding the ProLiant Cluster for Entry Level SAN please see the following QuickSpecs at: http://h18000.www1.hp.com/products/quickspecs/11932_div/11932_div.html (Worldwide)</p> <p>ProLiant Cluster HA/F500 for the Enterprise SAN 364024-B21</p> <p>NOTE: For additional information regarding the ProLiant Cluster HA/F500 for Enterprise SAN please see the following QuickSpecs at: http://h18000.www1.hp.com/products/quickspecs/11933_div/11933_div.html (Worldwide)</p> <p>NOTE: For configuration/certification options for the HP Parallel Database Cluster for Oracle RAC please go to: http://www.hp.com/solutions/highavailability/oracle</p> <p>HP Serviceguard for Linux ProLiant Cluster A.11.16 for SUSE SLES 9 & 10 and Red Hat EL 3 & 4 (2 node license cluster kit) 305199-B26</p> <p>HP Serviceguard for Linux A.11.16 for SUSE SLES 9 & 10 and Red Hat EL 3 & 4 (single license version) 307754-B26</p> <p>HP Serviceguard for Linux and Red Hat Global File System - 1 year subscription T2798AA#001</p> <p>HP Serviceguard for Linux and Red Hat Global File System - 3 years subscription T2798AA#003</p> <p>NOTE: For additional information regarding the HP Serviceguard for Linux License, please see the following QuickSpecs at: http://h18000.www1.hp.com/products/quickspecs/11518_div/11518_div.html (Worldwide)</p> <p>NOTE: For configuration/certification options for HP Serviceguard for Linux please go to: http://www.hp.com/info/sglx</p>
HP StorageWorks Modular Smart Array 20	<p>HP StorageWorks Modular Smart Array 20 335921-B21</p> <p>NOTE: Rack-mountable 12 (SATA) drive enclosure with U320 Host connectivity, redundant power supplies.</p> <p>HP StorageWorks Modular Smart Array 20 Starter Kit 366172-B21</p> <p>NOTE: Rack-mountable 12 (SATA) drive enclosure with U320 Host connectivity, redundant power supplies. Includes Smart Array 6402/128 Controller.</p> <p>NOTE: The Modular Smart Array Enclosure 20 Family supports the SATA 1.5Gb/s 3.5" Hot Plug Hard Drives.</p>
HP StorageWorks Modular Smart Array 30	<p>HP StorageWorks Modular Smart Array 30 SB 302969-B21</p> <p>NOTE: Rack-mountable 14 drive enclosure with single bus, redundant power supplies</p> <p>HP StorageWorks Modular Smart Array 30 DB 302970-B21</p> <p>NOTE: Rack-mountable 14 drive enclosure with dual bus, redundant power supplies</p> <p>NOTE: The Modular Smart Array Enclosure 30 Family supports the Wide Ultra3, Ultra320 Hot Plug Hard Drives.</p>

Options

HP StorageWorks Modular Smart Array 50	HP StorageWorks Modular Smart Array 50 Enclosure NOTE: Supported by the SAS Models only. NOTE: Please see the Modular Smart Array 50 QuickSpecs for additional information including configuration steps and additional options needed for a complete solution at: http://h18000.www1.hp.com/products/quickspecs/12245_div/12245_div.HTML (Worldwide)	364430-B21
HP StorageWorks Modular Smart Array 500 G2	HP StorageWorks Modular Smart Array 500 Generation 2 NOTE: Please see the Modular Smart Array 500 Generation 2 QuickSpecs for additional information including configuration steps and additional options needed for a complete solution at: http://h18000.www1.hp.com/products/quickspecs/11956_div/11956_div.HTML (Worldwide)	335880-B21
HP StorageWorks Modular Smart Array 1000	HP StorageWorks Modular Smart Array 1000 NOTE: Please see the Modular Smart Array 1000 QuickSpecs for additional options and configuration information at: http://h18000.www1.hp.com/products/quickspecs/11033_div/11033_div.HTML (Worldwide)	201723-B22
HP StorageWorks Modular Smart Array 1500 cs	Modular Smart Array 1500 Controller Shelf NOTE: Please see the StorageWorks Modular SAN Array 1500 cs QuickSpecs for additional options and configuration information at: http://www.hp.com/go/MSA1500cs	AA986A
StorageWorks Options	NOTE: For the complete listing of Fibre Channel Host Bus Adapters for Windows 2000, Windows Server 2003 and Linux, please see: http://h18006.www1.hp.com/storage/saninfrastructure/hba.html HP StorageWorks FC2142SR 4Gb PCI-e HBA HP StorageWorks FC2242SR Dual Channel 4 Gb PCI-e HBA HP StorageWorks FC1142SR 4Gb PCI-e HBA HP StorageWorks FC1242SR Dual Channel 4 Gb PCI-e HBA HP StorageWorks FC2143 4Gb PCI-X 2.0 -to-Fibre Channel HBA HP StorageWorks FC2243 Dual Channel 4Gb PCI-X 2.0 HBA HP StorageWorks FC1143 4Gb PCI-X 2.0 HBA HP StorageWorks FC1243 Dual Channel 4Gb PCI-X 2.0 HBA	A8002A A8003A AE311A AE312A AD167A AD168A AB429A AE369A

Options

Uninterruptible Power Systems - Rack	HP, R1.5kVA UPS, 1U, NA	AF419A
	HP, R1.5kVA UPS, 1U, INTL	AF418A
	HP, R1.5kVA UPS, 1U, JPN/TW	AF421A
	HP R3000 VA UPS, 2U, DTC, INTL	AF414A
	NOTE: Replaces non-RoHs compliant part numbers 192186-B31, 192186-B32, 192186-B33, 192186-AR1.	
	HP R3000 VA UPS, 2U, L5-30, NA	AF422A
	NOTE: Replaces non-RoHs compliant part number 192186-001.	
	HP R3000 VA UPS, 2U, L6-20, NA	AF423A
	NOTE: Replaces non-RoHs compliant part number 192186-002.	
	HP R3000 VA UPS, 2U, L6-20, JPN	AF424A
NOTE: Replaces non-RoHs compliant part number 192186-292.		
HP R3000 VA UPS, 2U, L5-30, JPN	AF425A	
NOTE: Replaces non-RoHs compliant part number 192186-291.		
HP R5500 VA UPS, INTL	AF416A	
NOTE: Replaces non-RoHs compliant part number 326529-B31.		
HP R5500 VA UPS, NA/JPN	AF426A	
NOTE: Replaces non-RoHs compliant part number 326529-D71.		

HP Monitored Power Distribution Unit (PDU)	HP Monitored Power Distribution Unit: Full Rack Version	
	HP 17.3 kVA S2324 Monitored PDU- dual input, 3U, 24A (NA/JPN)	AF503A
	NOTE: Replaces non-RoHs compliant part number 370959-D71.	
	HP 8.3 kVA S1324 Monitored PDU- single input, 3U, 24A (NA/JPN)	AF504A
	NOTE: Replaces non-RoHs compliant part number 370960-D71.	
	HP 16.6 kVA S2140 Monitored PDU- dual input, 1U, 40A (NA/JPN)	AF505A
	NOTE: Replaces non-RoHs compliant part number 37061-D71.	
	HP 8.6 S1140 Monitored PDU- single input, 1U, 40A (NA/JPN)	AF506A
	NOTE: Replaces non-RoHs compliant part number 370962-D71.	
	HP 22.1 kVA S2316 Monitored PDU- dual input, 3U, 16A (INTL)	AF507A
NOTE: Replaces non-RoHs compliant part number 370963-B31.		
HP 11 kVA S1316 Monitored PDU- single input, 3U, 16A (INTL)	AF508A	
NOTE: Replaces non-RoHs compliant part number 370964-B31.		
HP 14.7 kVA S2132 Monitored PDU- dual input, 1U, 32A (INTL)	AF509A	
NOTE: Replaces non-RoHs compliant part number 370965-B31.		
HP 7.3kVA S1132 Monitored PDU- single input, 1U, 32A (INTL)	AF510A	
NOTE: Replaces non-RoHs compliant part number 370966-B31.		

Options

Modular Power	3.6kVA Model - mPDU, 16A, High (WW)	252663-B24
Distribution Units 1U/0U (Up to 32 outlets)	2.8 kVA Model - mPDU, 24A, Low (NA/JPN)	252663-D71
	4.9kVA Model - mPDU, 24A, High (NA/JPN)	252663-D72
NOTE: 1U/0U mounting brackets shipped with the unit (optimized for 10000 and 9000 series racks).	7.3kVA Model - mPDU, 32A, High (INT'L)	252663-B31
	8.3kVA Model - mPDU, 40A, High (WW)	252663-B21
	8.3kVA Model - mPDU, 40A, High (power cord attached) (NA/JPN)	252663-D73
	9.2kVA Model - mPDU, 40A, High (power cord attached) (INTL)	252663-B32
	8.3kVA Model - mPDU 40A, High (core only) (NA/JPN)	252663-D75
	9.2kVA Model - mPDU 40 A, High (core only) (Int'l)	252663-B34
	8.3kVA Model - mPDU 32A, High (core only) (Int'l)	252663-B33
	4.9kVA Model - mPDU 24A, High (core only) (NA/JPN)	252663-D74
	NOTE: Please see the following Modular Power Distribution Unit (Zero-U/1U Modular PDUs) QuickSpecs for additional options including shorter jumper cables and country specific power cords: http://h18000.www1.hp.com/products/quickspecs/11041_div/11041_div.HTML (Worldwide)	

USB Options	HP USB 2-Button Optical Scroll Mouse (Carbonite/Silver)	DC172B
	HP USB 04 Standard Keyboard	DT528A#xxx
	USB 2.0 4-port HUB	DG954A
	HP 1GB Drive Key II- USB 2.0 Flash Drive	AG382AA
	HP 512MB DriveKey II- USB Flash Drive	ED516AA

Rack Shipping Kit	Shipping Bracket for Round Hole Racks	371482-B21
	NOTE: Required when shipping server pre-installed in round hole rack. Square hole pre-configured rack shipping hardware included with server mounting rails.	

HP Rack 5000 Series (Graphite Metallic)	HP 5642 Rack-Unassembled	358254-B21
	NOTE: Please see the HP Rack 5642 QuickSpecs for additional part numbers and Technical Specifications such as height, width, depth, weight, and color: http://h18000.www1.hp.com/products/quickspecs/12074_div/12074_div.HTML (Worldwide)	
	NOTE: For additional information regarding Rack Cabinets, please see the following URL: http://www.hp.com/go/rackandpower .	

Options

HP Rack 10000 G2 Series (Carbon/ Graphite Metallic)	10642 G2 (42U) Rack Cabinet - Pallet	AF001A
	10642 G2 (42U) Rack Cabinet - Shock Pallet	AF002A
	10642 G2 (42U) Rack Cabinet - Crated	AF003A
	10642 G2 (42U) Rack Cabinet, with Extension - Shock Pallet	AF004A
	10636 G2 (36U) Rack Cabinet - Pallet	AF011A
	10636 G2 (36U) Rack Cabinet - Shock Pallet	AF012A
	10636 G2 (36U) Rack Cabinet - Crated	AF013A
	10636 G2 (36U) Rack Cabinet, with Extension - Shock Pallet	AF014A
	10622 G2 (22U) Rack Cabinet - Pallet	AF021A
	10622 G2 (22U) Rack Cabinet - Shock Pallet	AF022A
	10842 G2 (42U) 800mm Wide Rack Cabinet - Pallet	AF041A
	10842 G2 (42U) 800mm Wide Rack Cabinet - Shock Pallet	AF042A
	10647 G2 (47U) Rack Cabinet - Pallet	AF031A

NOTE: It is mandatory to use a shock pallet when shipping racks with equipment installed.

NOTE: Please see the Rack 10000 G2 QuickSpecs for Technical Specifications such as height, width, depth, weight, and color:

http://h18000.www1.hp.com/products/quickspecs/12402_div/12402_div.HTML (Worldwide)

NOTE: For additional information regarding Rack Cabinets, please see the following URL: <http://www.hp.com/go/rackandpower>.

HP Rack 10000 Series (Graphite Metallic)	10642 (42U) Infrastructure Rack (Low Voltage)	379006-001
	10642 (42U) Infrastructure Rack (High Voltage)	379005-001
	HP S10614 (14U) Rack Cabinet - Shock Pallet	292302-B22
	HP 10842 (42U) Rack Cabinet - Pallet	257415-B21
	HP 10842 (42U) Rack Cabinet - Shock Pallet	257415-B22
	HP 10647 (47U) Rack Cabinet - Pallet	245160-B21
	HP 10647 (47U) Rack Cabinet - Crated	245160-B23
	HP 10622 (22U) Rack Cabinet - Pallet	245163-B21
	HP 10622 (22U) Rack Cabinet - Shock Pallet	245163-B22
	HP 10622 (22U) Rack Cabinet - Crated	245163-B23

NOTE: xxxxx-B21 (pallet) used to ship empty racks shipped on a truck. -B22 (shock pallet) used to ship racks with equipment installed (by custom systems, VARs and Channels). xxxxx-B23 (crated) used for air shipments of empty racks.

NOTE: It is mandatory to use a shock pallet in order to ship racks with equipment installed.

NOTE: Please see the Rack 10000 QuickSpecs for additional options and Technical Specifications such as height, width, depth, weight, and color:

http://h18000.www1.hp.com/products/quickspecs/10995_div/10995_div.HTML (Worldwide)

NOTE: For additional information regarding Rack Cabinets, please see the following URL: <http://www.hp.com/go/rackandpower>

Options

Keyboards and Monitors	TFT7210R Rack Mounted 17" Monitor	348373-B21
	TFT7600 Rackmount Keyboard Monitor US	AG052A
	TFT7600 Rackmount Keyboard Monitor UK	AG053A
	TFT7600 Rackmount Keyboard Monitor GR	AG054A
	TFT7600 Rackmount Keyboard Monitor FR	AG055A
	TFT7600 Rackmount Keyboard Monitor IT	AG056A
	TFT7600 Rackmount Keyboard Monitor SP	AG057A
	TFT7600 Rackmount Keyboard Monitor DEN	AG058A
	TFT7600 Rackmount Keyboard Monitor NOR	AG059A
	TFT7600 Rackmount Keyboard Monitor SE/FI	AG060A
	TFT7600 Rackmount Keyboard Monitor SWI	AG061A
	TFT7600 Rackmount Keyboard Monitor PORT	AG062A
	TFT7600 Rackmount Keyboard Monitor BEL	AG063A
	TFT7600 Rackmount Keyboard Monitor JPN2	AG064A
	TFT7600 Rackmount Keyboard Monitor RUS	AG065A
	TFT7600 Rackmount Keyboard Monitor INTL	AG066A
	1U Rackmount Keyboard with USB, US	AG072A
	1U Rackmount Keyboard with USB, UK	AG073A
	1U Rackmount Keyboard with USB, GR	AG074A
	1U Rackmount Keyboard with USB, FR	AG075A
	1U Rackmount Keyboard with USB, ITL	AG076A
	1U Rackmount Keyboard with USB, SP	AG077A
	1U Rackmount Keyboard with USB, DEN	AG078A
	1U Rackmount Keyboard with USB, NOR	AG079A
	1U Rackmount Keyboard with USB, SE/FI	AG080A
	1U Rackmount Keyboard with USB, SWI	AG081A
	1U Rackmount Keyboard with USB, PORT	AG082A
	1U Rackmount Keyboard with USB, BEL	AG083A
	1U Rackmount Keyboard with USB, JPN2	AG084A
	1U Rackmount Keyboard with USB, RUS	AG085A
	1U Rackmount Keyboard with USB, INTL	AG086A

NOTE: For additional information regarding Rack Options, please see the following URL: <http://www.hp.com/go/rackandpower>

Options

HP KVM Switch Options	2x1x16 IP Console Switch with Virtual Media	AF601A
	4x1x16 IP Console Switch with Virtual Media	AF602A
	2x16 Server Console Switch with Virtual Media	AF600A
	PS/2 Virtual Media Interface Adapter, 1 pack	AF604A
	NOTE: Requires PS/2 and one USB port on server.	
	Server Console Switch (KVM), 0 x 1 x 8 port	336044-B21
	Server Console Switch (KVM), 0 x 2 x 16 port	336045-B21
	PS/2 Interface Adapter, 1 pack	262588-B21
	PS/2 Interface Adapter, 8 pack	262587-B21
	USB Interface Adapter, 1 pack	336047-B21
	Serial Interface adapter - 1 Pack with power supply	373035-B21
	NOTE: Cat5e cables are required to connect Interface Adapters to Console Switches. Cat5e cables can be found at the following URL: http://www.hp.com/go/kvm.	
	HP 1x 4 USB/PS2 KVM Switch, TT (NA/JPN)	371301-D71
	HP 1x 4 USB/PS2 KVM Switch, TT (AU/NZ)	371301-011
	HP 1x 4 USB/PS2 KVM Switch, TT (UK)	371301-031
	HP 1x 4 USB/PS2 KVM Switch, TT (EU)	371301-A21
HP 1x 4 USB/PS2 KVM Switch, RM (ALL)	371302-B21	
HP PS2 KVM Cable with audio, 6', 2-pack	371730-B21	
HP USB KVM Cable with audio, 6', 2-pack	371729-B21	
NOTE: For additional information regarding KVM switches, Serial Console servers, rack mount monitors, keyboards and all related options please see the following URL: http://www.hp.com/go/kvm.		

HP Serial Console Server Options	HP 16 Port Serial Console Server (worldwide)	AF101A
	HP 48 Port Serial Console Server (worldwide)	AF102A
	Serial Adapter, RJ45-DB9 DCE Female, 1 Pack	AF103A
	Serial Adapter, RJ45-DB9 DCE Female, 8 Pack	AF110A
	NOTE: Cat5e cables are required to connect Serial Adapters to Serial Console Servers. Additional Serial Adapters and Cat5e cables can be found at the following URL: http://www.hp.com/go/kvm.	
NOTE: For additional information regarding KVM switches, Serial Console servers, rack mount monitors, keyboards and all related options please see the following URL: http://www.hp.com/go/kvm.		

Options

Service and Support Offerings (HP Care Pack Services)	Hardware Services On-site Service	
	4-Hour On-site Service, 5-Day x 13-Hour Coverage, 3 Years, Electronic	U4544E
	4-Hour On-site Service, 7-Day x 24-Hour Coverage, 3 Years, Electronic	U4545E
	Hardware Services 6-Hour Call to Repair On-site Service	
	6-Hour Call to Repair, On-site Service, 7-Day x 24-Hour Coverage, 3 Years, Electronic	U4546E
	Installation & Start-up Services	
	Hardware Installation, Electronic	U4554E
	Installation & Start-Up of a ProLiant server and Microsoft or Linux O/S per the Customer Description and/or Data Sheet. To be delivered on a scheduled basis 8am-5pm, M-F, excl. HP holidays, Electronic	U4555E
	Installation and Startup for Essentials Rapid Deployment Pack, Electronic	U5683E
	Support Plus	
Onsite HW support, 8am-9pm, M-F, 4hr response and Microsoft O/S SW Tech support offsite, onsite at HP's discretion, 8am-9pm, M-F 2hr response time excl. HP holidays, Electronic	U4556E	
Support Plus 24		
Onsite HW support 24x7, 4hr response and Microsoft O/S SW Tech support offsite, onsite at HP's discretion, 24x7 2hr response time incl. HP holidays, Electronic	U4557E	
Onsite HW support 24x7, 4hr response and SuSE Linux SW Tech support offsite, onsite at HP's discretion, 24x7 2hr response time incl. HP holidays, Electronic	U6312E	
Onsite HW support 24x7, 4hr response and Red Hat ES Linux SW Tech support offsite, onsite at HP's discretion, 24x7 2hr response time incl. HP holidays, Electronic	U8334E	

NOTE: For more information, customer/resellers can contact <http://www.hp.com/services/carepack>.

Memory

NOTE: Memory configurations listed do not apply to "Factory Integrated Models".

HP ProLiant Model DL380 Generation 4 (G4) Base (1P) Models

Standard Memory

1 GB PC2 3200 DDR2 SDRAM running at 400MHz comes installed (2 x 512 MB SDRAM)

Standard Memory Plus Optional Memory

Up to 9 GB memory is available with the optional installation of PC2 3200 Registered DDR2 SDRAM DIMM Memory Option Kit

Standard Memory Replaced with Optional Memory

Up to 12 GB of memory is available with the removal of the standard 512 MB of memory and the optional installation of PC2 3200 Registered DDR2 SDRAM DIMM Memory Option Kit

NOTE: Chart does not represent all possible memory configurations.

Memory		Slot					
		1	2	3	4	5	6
Standard	1 GB	512 MB	512 MB	Empty	Empty	Empty	Empty
Optional	9 GB	512 MB	512 MB	2 GB	2 GB	2 GB	2 GB
Maximum	12 GB	2 GB	2 GB	2 GB	2 GB	2 GB	2 GB

NOTE: In the online spare configuration, the ROM automatically configures the last populated bank as the spare memory. If only banks A and B are populated, bank B is the spare bank. If banks A, B, and C are populated, bank C is the spare bank, Online spare memory is configured through RBSU.

Following are the single-rank memory options available from HP:

- 1 GB of Advanced PC2 PC3200 DDR2 SDRAM DIMM Memory Kit (2 x 512 MB) 343055-B21
- 2 GB of Advanced PC2 PC3200 DDR2 SDRAM DIMM Memory Kit (2 x 1024 MB) 343056-B21
- 4 GB of Single-Ranked PC2 PC3200 DDR2 SDRAM DIMM Memory Kit (2 x 2048 MB) 343057-B21
- 4 GB of 2-Rank Advanced ECC PC3200 DDR2-400 SDRAM DIMM Memory Kit (2 x 2048 MB) 375004-B21

HP ProLiant Model DL380 Generation 4 (G4) High Performance (2P) Model

Standard Memory

2 GB PC2 3200 DDR2 SDRAM running at 400MHz comes installed (2 x 1024 MB SDRAM)

Standard Memory Plus Optional Memory

Up to 10 GB memory is available with the optional installation of PC2 3200 Registered DDR2 SDRAM DIMM Memory Option Kit

Standard Memory Replaced with Optional Memory

Up to 12 GB of memory is available with the removal of the standard 512 MB of memory and the optional installation of PC2 3200 Registered DDR2 SDRAM DIMM Memory Option Kit

NOTE: Chart does not represent all possible memory configurations.

Memory		Slot					
		1	2	3	4	5	6
Standard	2 GB	1024 MB	1024 MB	Empty	Empty	Empty	Empty
Optional	10 GB	1024 MB	1024 MB	2 GB	2 GB	2 GB	2 GB
Maximum	12 GB	2 GB	2 GB	2 GB	2 GB	2 GB	2 GB

Memory

NOTE: In the online spare configuration, the ROM automatically configures the last populated bank as the spare memory. If only banks A and B are populated, bank B is the spare bank. If banks A, B, and C are populated, bank C is the spare bank, Online spare memory is configured through RBSU.

Following are the single rank memory options available from HP:

- 1 GB of Advanced PC2 PC3200 DDR2 SDRAM DIMM Memory Kit (2 x 512 MB) 343055-B21
- 2 GB of Advanced PC2 PC3200 DDR2 SDRAM DIMM Memory Kit (2 x 1024 MB) 343056-B21
- 4 GB of Advanced PC2 PC3200 DDR2 SDRAM DIMM Memory Kit (2 x 2048 MB) 343057-B21

HP ProLiant Model DL380 Generation 4 (G4) Dual Rank Support:

Following is the dual rank memory option available from HP:

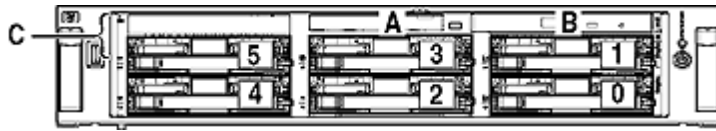
- 4 GB of 2-Rank Advanced ECC PC3200 DDR2-400 SDRAM DIMM Memory Kit (2 x 2048 MB) 375004-B21

Following are the single/dual rank memory population rules for the HP ProLiant DL380 G4.

Key: S denotes single rank kit, D denotes Dual rank kit, and X denotes no install.

Bank A	Bank B	Bank C	NOTES:
S	X	X	
S	S	X	
S	S	S	
D	X	X	Online spare not supported
D	S	X	Online spare not supported
D	S	S	Online spare not supported
D	D	X	Online spare not supported

Storage



- 0 - 5 Six Ultra320 SCSI hot plug hard drive bays
- A 1.44-MB Diskette Drive
- B 24x IDE CD-ROM (Universal Media Bay)
- C Six Ultra320 SCSI hot plug hard drives or for five hot plug hard drives and one DAT 40 or DAT 72 hot plug tape drive



- 1-8 Eight SFF SAS hot plug hard drive bays

Drive Support

	Quantity Supported	Position Supported	Controller
Removable Media			
1.44-MB Diskette Drive	1	A	Integrated IDE NOTE: Optional except on high performance models
IDE CD-ROM Drive	1	B	Integrated IDE NOTE: Standard on base models
Slimline DVD-ROM (8x24x) Option Kit (Servers)	1	B	Integrated IDE NOTE: Standard on high performance models

Hard Drives

Ultra320 SCSI - Hot Plug Drives

	Quantity Supported	Position Supported	Controller
300GB U320 10K	Up to 6	0-5	Smart Array 6i Controller (integrated on system board)
146GB U320 10K			Smart Array 6402/128 Controller
72GB U320 10K			Smart Array 6404/256 Controller
300GB U320 15K			Smart Array 641 Controller
146GB U320 10K			Smart Array 642 Controller
72GB U320 10K			
36GB U320 10K			

NOTE: All U320 Universal Hard Drives are backward compatible to U2 or U3 speeds.

SFF SATA - Hot Plug Drives

	Quantity Supported	Position Supported	Controller
60GB 1.5G SATA 5.4K	Up to 8	0-7	Smart Array P600/256 BBWC Controller

Storage

SFF SAS - Hot Plug Drives

	Quantity Supported	Position Supported	Controller
146GB 3G SAS 10K SP	Up to 8	1-8	Smart Array P600/256 BBWC Controller
72GB 3G SAS 10K SP			
72GB 3G SAS 15K SP			
36GB 3G SAS 10K SP			
36GB 3G SAS 15K SP			

External Storage

	Quantity Supported	Position Supported	Host Controller or Adapter
Modular Smart Array 20	1 per SCSI VHDCI connector	External	Smart Array 6i Controller Smart Array 6402/128 Controller Smart Array 6404/256 Controller
Modular Smart Array 30	1 per SCSI VHDCI connector	External	Smart Array 6i Controller Smart Array 6402/128 Controller Smart Array 6404/256 Controller Smart Array 642 Controller
Modular Smart Array 50 Enclosure	2 per connector (supports 1+1 cascading)	External	HP Smart Array P600/256 BBWC Controller
Modular Smart Array 500 G2	1 per SCSI	External	Smart Array 6i Controller Smart Array 642 Controller (used as Host Bus Adapter) Please see the Modular Smart Array 500 G2 QuickSpecs for the latest list of supported HBAs: http://www.hp.com/go/msa500
Modular Smart Array 1500 cs	Please see the Modular Smart Array 1500 cs QuickSpecs link below to determine configuration requirements	External	Please see the Modular Smart Array 1500 QuickSpecs (URL below) for the latest list of supported HBAs
Modular Smart Array 1000	Please see the Modular Smart Array 1000 QuickSpecs link below to determine configuration requirements	External	Please see the Modular Smart Array 1000 QuickSpecs (URL below) for the latest list of supported HBAs

Modular Smart Array 1000: http://h18000.www1.hp.com/products/quickspecs/11033_div/11033_div.HTML (Worldwide)

Modular Smart Array 1500: <http://www.hp.com/go/MSA1500cs>

Storage

Maximum Storage Capacity - (Enclosure SCSI Attached)

Internal	1.80TB (6 x 300GB Ultra320)
External	54.60TB (13 x (14 x 300GB Ultra320))
Total	58.20TB

Maximum Storage Capacity - (SAS Models with MSA50)

Internal	1.168TB (8 x 146GB SAS)
External	2.920 (20 x 146GB SAS)
Total	4.088TB

Tape Drives, Tape Autoloaders, & Tape Libraries

NOTE: For an up-to-date listing of the latest O/S Support details for each of the Tape Drives listed below, please see the following: <http://h18000.www1.hp.com/products/quickspecs/Division/10233.html> (Worldwide)

NOTE: For an up-to-date listing of the latest O/S Support details for each of the Tape Autoloaders and Tape Libraries listed below, please see the following: <http://h18000.www1.hp.com/products/quickspecs/Division/10809.html> (Worldwide)

NOTE: For complete listing of tape drive offerings see

<http://www.hp.com/products1/storage/compatibility/tapebackup/ISS/index.html>

For recommended tape drive offerings for this ProLiant server see the following:

	Position Supported	Controller	Controller Part Number
HP StorageWorks Tape Drives, External DAT 24 USB DAT 40 USB DAT 72 USB	External	USB 2.0 Port	N/A
HP StorageWorks Tape Drives, External Ultrium 232 Ultrium 448 Ultrium 460 Ultrium 920 Ultrium 960 DAT 40 DAT 72 DLT VS160 SDLT 600	External	64-Bit/133-MHz Single Channel Ultra320 SCSI HBA G2	374654-B21
HP StorageWorks Autoloaders, External DAT 72x10 Autoloader 1/8 G2 Tape Autoloader	External	64-Bit/133-MHz Single Channel Ultra320 SCSI HBA G2	374654-B21

Storage

HP StorageWorks SCSI Rack-Mount Tape Drive Enclosures 1U Rack-Mount Kit 3U Rack-Mount Kit	External	64-Bit/133-MHz Single Channel Ultra320 SCSI HBA G2	374654-B21
HP StorageWorks USB Rack-Mount Tape Drive Enclosures 1U Rack-Mount Kit	External	USB 2.0 Port	N/A
HP StorageWorks Tape Libraries, External MSL2024 (Ultrium 448, Ultrium 920 and 960-based) MSL4048 (Ultrium 448, Ultrium 920 and 960-based) MSL6000 (Ultrium 960 and 460-based) MSL6000 (SDLT 600-based)	External	Please consult the EBS connectivity matrix at http://www.hp.com/go/ebs for detailed connectivity information	N/A

Power Specifications

Power Supply Specification	Part number		321632-001			
	Spare Kit		355892-B21			
Operational Input Voltage Range (Vrms)	90 - 264					
Frequency Range (Nominal) (Hz)	47 - 63 (50 / 60)					
Nominal Input Voltage (Vrms)	100	115	208	220	230	240
Max Rated Output Wattage Rating	575	575	575	575	575	575
Nominal Input Current (A rms)	7.4	6.4	3.4	3.2	3.1	2.9
Max Rated Input Wattage Rating (Watts)	728	719	701	693	693	693
Max. Rated VA (Volt-Amp)	743	733	716	707	707	707
Efficiency (%)	79	80	82	83	83	83
Power Factor	0.98					
Leakage Current (mA)	0.31	0.36	0.65	0.69	0.72	0.75
Max. Inrush Current (A peak)	35	35	35	35	35	35
Max. Inrush Current duration (mS)	2-3					
Power cord requirements	Nema 5-15P to IEC320-C13 Option no. / Spare no: See chart on Page 2					
	IEC320-C13 to IEC320-C14 Option no. / Spare no.: 142259-001/142258-B21					

NOTES:

- To review typical system power ratings use the Active Answers Power Calculator which is available via the online tool located at url: <http://h30099.www3.hp.com/configurator/calc/Power%20Calculator%20Catalog.xls>

To drill down to calculators:

- Click on: "ProLiant Servers"
- Click on the Server of interest. Example: DL380 G4
- Click on: "Power Calculator" link. (You may need to scroll down to see it)

# - Power cords (13 Cord Sets)	Country	Power Cord Part Number
	APD	139867-006
	APD	100613-003
	APD	100614-003
	Australia	100611-007
	Europe	100614-003
	France	100614-003
	Germany	100614-003
	Japan	139867-006
	PRC	139867-006
	PRC	100613-003
	PRC	100661-007
	UK	100613-003
	US	163719-002

Technical Specifications

System Unit	Dimensions (HxWxD) (with feet/bezel)	3.38 x 17.54 x 26.01 in (8.59 x 44.54 x 66.07 cm)
	Weight (approximate)	Maximum 60 lb (27.22 kg) No drives: 47.18 lb (20.41 kg)
	Input Requirements (per power supply)	Rated Input Voltage 100-132 VAC, 200-240 VAC Rated Input Current 7.5A (100VAC), 3.8A (200VAC) Rated Input Frequency 50 to 60 Hz Rated Input Power 735 W
	BTU Rating	2508 BTU/HR
	Power Specifications	To review typical system power ratings use the Active Answers Power Calculator which is available via the online tool located at URL: http://h30099.www3.hp.com/configurator/powercalcs.asp . To drill down to calculators: - Click on: "ProLiant Servers" - Click on the Server of interest. Example: DL380 G4 - Click on: "Power Calculator" link. (You may need to scroll down to see it.)
	SCSI Connectors	One external VHDCI connector NOTE: External VHDCI not included on SAS Models
	Power Supply Output Power (per power supply)	Rated Steady-State Power 575W Maximum Peak Power 575W
	Temperature Range NOTE: All temperature ratings shown are for sea level. An altitude derating of 1 C° per 300 m (1.8 FR per 1000 ft) to 3048 m (10,000 ft) is applicable. No direct sunlight allowed.	Operating 50° to 95° F (10° to 35° C) Shipping -40° to 158° F (-40° to 70° C)
	Maximum Wet Bulb Temperature	82.4° F (28° C)
	Relative Humidity (non-condensing) NOTE: Storage maximum humidity of 95% is based on a maximum temperature of 45°C (113°F). Altitude maximum for storage corresponds to a pressure minimum of 70 kPa.	Operating 10% to 90% Shipping 5% to 95%

Technical Specifications

Acoustic Noise	Idle Minimum (Fixed Disk Drives Spinning)	
	L WAd (BELS)	7.4
	L pAm (dBA)	58
	Operating Minimum (Random Seeks to Fixed Disks)	
	L WAd (BELS)	7.4
	L pAm (dBA)	58

Smart Array 6i Controller (Ultra320), Integrated	Data Compatible with all Smart Array Controllers	Yes
	Instant Upgrades to other Smart Array Controllers	Yes
	Consistent Software Manageability Tools	Yes
	PCI-X Bus	64-bit up to 133 MHz (integrated on system board)
	Electrical Protocol	Low Voltage Differential (LVD)
	SCSI Protocols Supported	Ultra 320, Ultra3, Ultra2
	SCSI Peak Data Transfer Rate	320 MB/s per channel
	Channels	Two 68-Pin Wide-Ultra SCSI-3 connectors
	SCSI Ports (external/internal)	1/2 NOTE: The HP ProLiant DL380 G4 external SCSI port can only be used if PORT 1 of the system board is NOT connected to the internal SCSI backplane.
	Logical Drives Supported	Supports up to 32 RAID volume
	Cache	64 MB Read Cache
	Battery-Backed Write Cache	Yes, with installation of Battery-Backed Write Cache Enabler, up to 128MB
	RAID Support	0, 1, 1+0, 5
	Online Configuration	Yes
	Online Capacity Expansion	Yes
	Logical Drive Capacity Extension	Yes
	Online Stripe Size Migration	Yes
	Online RAID Level Migration	Yes
	Online Spare Support	Yes
	Automatic Data Recovery	Yes
Drive Roaming	Yes	
Redundant Controllers	No	

Technical Specifications

Smart Array P600 Controller (SAS models only)	Disk Drive and Enclosure Protocol Support Architecture	3 Gbps SAS (Serial Attached SCSI) 1.5 Gbps SATA (Serial AT Attachment) 1.5 Gb SATA
	SAS Connectors	1 internal SFF8484 & 1 external SFF8470 / internal SFF8484 shared x4 Wide SAS Ports 12 Gbps per x4 Wide SAS Port (4 x 3 Gbps)
	Data Transfer Method	64-bit wide, PCI-X 133 MHz (1 GB/s maximum bandwidth)
	PCI Bus Speed	PCI-X-133 and 3.3 volt PCI compatibility only
	Memory Bus Speed	DDR-266 and 72 bit wide bus
	PCI	64-bit, 133-MHz PCI-X (1 GB/s maximum bandwidth)
	Simultaneous Drive Transfer Ports	PCI-X and 3.3 volt PCI compatibility only
	Port Transfer Rate	2 x4 Wide SAS Ports
	Software upgradeable Firmware	12 Gb/s per x4 Wide SAS Port (4 x 3 Gb/s)
	Cache Memory	Yes
	Logical Drives Supported	256 MB Read/Write (512-MB module upgrade available); ECC protection, battery-backed, and removable
	Maximum Capacity	Up to 32 logical drives Up to 2.2 TB per logical drive
	Memory Addressing	2.7 TB (38 x 72 GB) 64-bit, supporting servers memory greater than 4 GB
	RAID Support	RAID 6 (Advanced Data Guarding) RAID 5 (Distributed Data Guarding) RAID 1+0 (Striping & Mirroring) RAID 0 (Striping)
	Upgradeable Firmware	4-MB flashable ROM
	Disk Drive and Enclosure Protocol Support	3 Gb SAS and 1.5 Gb SATA

Technical Specifications

Embedded NC7782 PCI-X Gigabit Server Adapter	Network Interface	10Base-T/100Base-TX/1000Base-TX	
	Compatibility	IEEE 802.3 10Base-T	
		IEEE 802.3ab 1000Base-T	
		IEEE 802.3u 100Base-TX	
	Data Transfer Method	64-bit bus-master PCI-X	
	Network Transfer Rate	10Base-T (Half-Duplex),	10 Mb/s
		10Base-T (Full-Duplex)	20 Mb/s
		100Base-TX (Half-Duplex)	100 Mb/s
		100Base-TX (Full-Duplex)	200 Mb/s
		1000Base-TX (Half and Full-Duplex)	2000 Mb/s
Connector	Two RJ-45		
Cable Support	10Base-T	Categories 3, 4 or 5 UTP; up to 328 ft (100 m)	
	100Base-TX	Category 5 or higher UTP; up to 328 ft (100 m)	
	1000BaseTX	Category 5 or higher UTP; up to 328 ft (100 m)	

© Copyright 2007 Hewlett-Packard Development Company, L.P.

The information contained herein is subject to change without notice.

Microsoft and Windows NT are US registered trademarks of Microsoft Corporation. Intel is a US registered trademark of Intel Corporation.

The only warranties for HP products and services are set forth in the express warranty statements accompanying such products and services. Nothing herein should be construed as constituting an additional warranty. HP shall not be liable for technical or editorial errors or omissions contained herein.

For hard drives, 1 GB = 1 billion bytes. Actual formatted capacity is less.