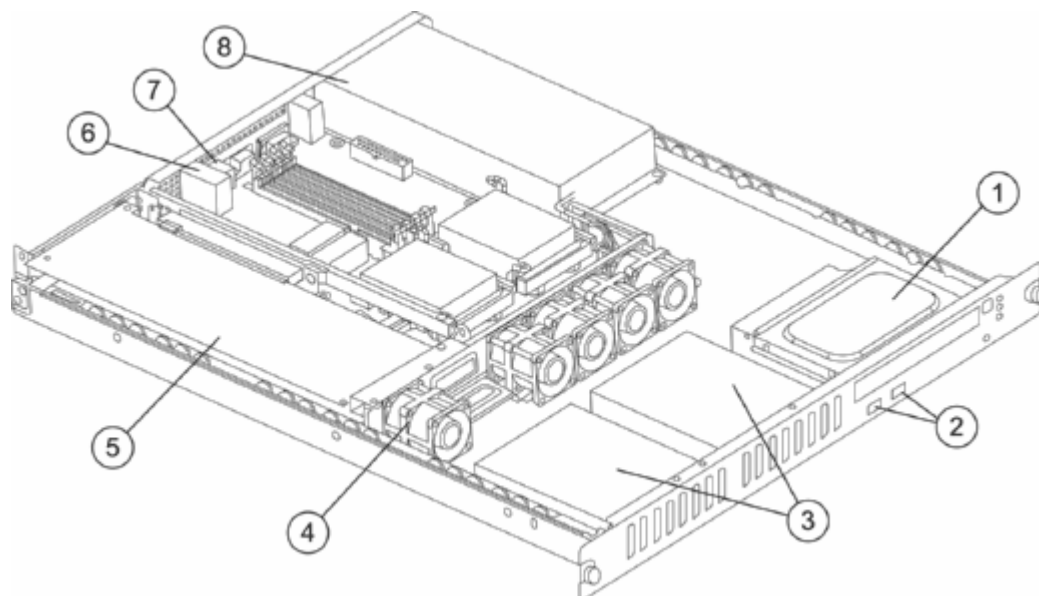


## Overview



1. One CD-ROM (optional)
2. Two front USB1.1 ports
3. Two 1" Non-Hot Plug ATA-100 Hard Drive Bays
4. System Fans
5. One 64-bit/133MHz PCI-X full length Slot (PCI card not included)
6. Two Gigabit Ethernet ports
7. Two rear USB1.1 ports
8. One 325W power supply (PFC, auto-switching, non-redundant, non-hot plug)

## What's New

- Supports 2 or 1 Intel Xeon 3.06 GHz processors with 512-KB second level ECC cache standard, 533MHz front-side-bus supporting Hyper-Threading Technology

## At A Glance

- ServerWorks GC-SL Chipset with 533-MHz FSB
- 1-GB or 512-MB of PC2100 DDR SDRAM running at 266MHz with Advanced ECC capabilities standard, expandable to 4 GB
- Integrated Dual Broadcom 10/100/1000 NICs (Wake on LAN and PXE capable)
- Integrated Dual Channel Ultra ATA/100 Adapter (ATA Models)
- Support for up to two 1" ATA/100 Non Hot Plug hard drives
- One PCI-X 64-bit/133MHz PCI slot operating at 3.3 volts
- Internal storage capacity of up to 320 GB (2 x 160-GB non-hot plug 1" ATA/100 HDDs)
- Integrated ATI Rage XL with 8MB SDRAM video
- 325W Power Supply (Non-Hot Plug, autoswitching)
- Four USB ports (two rear, two front)
- ROM Setup Utility
- Protected by HP Services, including a one-year, limited warranty, Parts only 1 year limited Global warranty - Certain restrictions and exclusions apply.

## Standard Features

<b>Processor</b> <i>One of the following depending on Model:</i>	Intel Xeon 3.06 GHz processor with 512-KB second level ECC cache standard, 533MHz front-side-bus supporting Hyper-Threading Technology		
	Intel Xeon 3.2 GHz processor with 1-MB second level ECC cache standard, 533MHz front-side-bus supporting Hyper-Threading Technology		
	Intel Xeon 2.4 GHz processor with 512-KB second level ECC cache standard, 533MHz front-side-bus supporting Hyper-Threading Technology		
<b>Memory</b> <i>One of the following depending on Model:</i>	Standard	512 MB PC2100 DDR SDRAM running at 266MHz, with Advanced ECC capabilities ( <b>NOTE:</b> Available with 2.4 GHz models.)	
	Maximum	1 GB PC2100 DDR SDRAM running at 266MHz, with Advanced ECC capabilities ( <b>NOTE:</b> Available with 3.06 GHz, 3.2 GHz or 2.4 GHz models.) 4 GB	
<b>Network Controller</b>	Integrated Dual Broadcom 10/100/1000 NICs (Wake on LAN and PXE capable)		
<b>Expansion Slots</b>	I/O	Number of slots	PCI Voltage:
	64-bit/133MHz PCI	1	3.3 volts
<b>Storage Controller</b>	Integrated Dual Channel Ultra ATA-100 IDE		
<b>Storage</b>	Diskette Drives	None	
	CD-ROM	24x IDE (ATAPI) CD-ROM Drive (optional)	
	Hard Drives	80 GB, or 160GB ATA/100 7200 rpm 1"Drive	
	Maximum Internal Storage (ATA Models)	320 GB (2 x 160 GB)	
<b>Interfaces</b>	Parallel	None	
	Serial	1	
	Pointing Device (Mouse)	1	
	Graphics	1	
	Keyboard	1	
	USB	4 (two front, two rear)	
	Network RJ-45 (Ethernet)	2	
<b>Graphics</b>	Integrated ATI RAGE XL Video Controller with 8MB SDRAM Video Memory		
<b>Form Factor</b>	Rack Mount (1U)		

## Standard Features

Industry Standard Compliance	ACPI V1.0b Compliant PCI 2.2 Compliant PXE Support WOL Support Microsoft® Logo certifications
Manageability	BIOS Serial Console Redirect
Security	Power-on password Setup password
Server Power Cords	One Highline IEC Power cord ships standard (for connection to a Power Distribution Unit)
Power Supply	325 Watts, auto-switching, PFC (Power Factor Correcting)
System Fans	5 – Non-hot plug, Non-redundant system fan shipped standard
OS Support	Microsoft Windows® 2000 Server Microsoft Windows 2000 Advanced Server Microsoft Windows 2003 Standard Edition Microsoft Windows 2003 Enterprise Edition Microsoft Windows 2003 Web Edition Red Hat Linux AS/ES/WS 2.1 United Linux 1.0 VMware Virtualization Software <b>NOTE:</b> For an up-to-date listing of the latest OS support matrix, please see: <a href="ftp://ftp.compaq.com/pub/products/servers/os-support-matrix-310.pdf">ftp://ftp.compaq.com/pub/products/servers/os-support-matrix-310.pdf</a> . <b>NOTE:</b> For an up-to-date listing of the latest drivers available for the HP ProLiant DL140, please see: <a href="http://h18023.www1.hp.com/support/files/server/us/index.html">http://h18023.www1.hp.com/support/files/server/us/index.html</a> . <b>NOTE:</b> For more complete and up-to-date information on how to buy server operating systems from HP please visit the OS product site at: <a href="http://h18004.www1.hp.com/products/servers/software/OEM.html">http://h18004.www1.hp.com/products/servers/software/OEM.html</a> <b>NOTE:</b> For more information on HP's Certified and Supported ProLiant Servers, please visit the VMware Server Support Matrix at: <a href="http://h18004.www1.hp.com/products/servers/software/vmware/hpvmwarecert.html">http://h18004.www1.hp.com/products/servers/software/vmware/hpvmwarecert.html</a>

### Standard Features

#### ProLiant Essentials Foundation Pack Software

#### Optional ProLiant Essentials Value Packs

Optional software offerings that selectively extend the functionality of an Adaptive Infrastructure to address specific business problems and needs:

- Intelligent Networking Pack - detects and analyzes network bottlenecks or broken network linkages and steers traffic to the optimum route based on network conditions.
- Vulnerability and Patch Management Pack - identifies and remediates software security vulnerabilities due to missing patches as well operating system configurations that can be exploited by viruses, worms and other blended threats.

**NOTE:** Flexible and volume quantity license kits are available for ProLiant Essentials Value Packs. Refer to <http://www.hp.com/servers/proliantessentials> or the various ProLiant Essentials Value Pack product QuickSpecs for more information.

**NOTE:** For more information regarding ProLiant Essentials Software, please see the following URL: <http://www.hp.com/servers/proliantessentials>.

#### Factory Express Portfolio for Servers and Storage

HP Factory Express offers configuration, customization, integration and deployment services for HP servers and/or storage products. Customers can choose how their factory solutions are built, tested, integrated, shipped and deployed.

Factory Express offers service packages for simple configuration, racking, installation, complex configuration and design services as well as individual factory services, such as image loading, asset tagging, and custom packaging. HP products supported through Factory Express include a wide array of servers and storage: HP Integrity, HP ProLiant, HP ProLiant Server Blades, HP BladeSystem, HP 9000 servers as well as the MSA1000, VA7xxx, EVA3000 & EVA5000, XP, rackable tape libraries and configurable network switches.

For more information on Factory Express services for your specific server model please contact your sales representative or go to [www.hp.com/go/factory-express](http://www.hp.com/go/factory-express).

#### Service and Support

HP Services provides a one-year, limited warranty, fully supported by a worldwide network of resellers and service providers and lifetime toll-free 7 x 24 hardware technical phone support. In addition, available service offerings include:

**NOTE:** one-year limited warranty, Parts only 1 year limited Global warranty.

A full range of HP Care Pack packaged hardware and software services:

- Installation and start up
- Extended coverage hours and enhanced response times
- System management and performance services
- Availability and recovery services

**NOTE:** For more information, visit <http://www.hp.com/services/carepack>.

Please see the following URL regarding Warranty Information For Your HP Products: <http://h18004.www1.hp.com/products/servers/platforms/warranty/index.html>.

For additional information regarding Worldwide Limited Warranty and Technical Support, please see the following URL: <ftp://ftp.compaq.com/pub/supportinformation/ejourney/176738.pdf>.

**NOTE:** Certain restrictions and exclusions apply.

### Models

---

<b>ProLiant DL140 Dual</b> 3.06 GHz Xeon 1-GB, 80GB, ATA 356533-B21	<b>Processor</b>	Dual Intel Xeon 3.06 GHz processors, 533MHz front-side-bus
	<b>Cache Memory</b>	512-KB second level ECC cache
	<b>Memory</b>	1 GB PC2100 DDR SDRAM running at 266MHz, with Advanced ECC capabilities
	<b>Network Controller</b>	Integrated Dual Broadcom 10/100/1000 NICs (Wake on LAN and PXE capable)
	<b>Storage Controller</b>	Integrated Dual Channel Ultra ATA-100 IDE
	<b>Hard Drive</b>	80 GB Ultra ATA/100
	<b>Internal Storage</b>	320 GB maximum (with optional hard drive)
<b>Form Factor</b>	Rack Mount (1U)	

---

<b>ProLiant DL140 Single</b> 3.06 GHz Xeon 1GB, 80GB, ATA 359043-B21	<b>Processor</b>	Intel Xeon 3.06 GHz processor, 533MHz front-side-bus
	<b>Cache Memory</b>	512 KB second level ECC cache
	<b>Memory</b>	1 GB PC2100 DDR SDRAM running at 266MHz, with Advanced ECC capabilities
	<b>Network Controller</b>	Integrated Dual Broadcom 10/100/1000 NICs (Wake on LAN and PXE capable)
	<b>Storage Controller</b>	Integrated Dual Channel Ultra ATA-100 IDE
	<b>Hard Drive</b>	80 GB Ultra ATA/100
<b>Internal Storage</b>	320 GB maximum (with optional hard drive)	
<b>Form Factor</b>	Rack Mount (1U)	

---

<b>ProLiant DL140 Dual 3.2</b> GHz Xeon 1-GB, 80GB, ATA 350533-B21	<b>Processor</b>	Dual Intel Xeon 3.2 GHz processors, 533MHz front-side-bus
	<b>Cache Memory</b>	1-MB second level ECC cache
	<b>Memory</b>	1 GB PC2100 DDR SDRAM running at 266MHz, with Advanced ECC capabilities
	<b>Network Controller</b>	Integrated Dual Broadcom 10/100/1000 NICs (Wake on LAN and PXE capable)
	<b>Storage Controller</b>	Integrated Dual Channel Ultra ATA-100 IDE
	<b>Hard Drive</b>	80 GB Ultra ATA/100
<b>Internal Storage</b>	320 GB maximum (with optional hard drive)	
<b>Form Factor</b>	Rack Mount (1U)	

---

### Models

<b>ProLiant DL140 Dual 2.4 GHz Xeon 1-GB, 80GB, ATA</b> 350535-B21	<b>Processor</b>	Dual Intel Xeon 2.4 GHz processors, 533MHz front-side-bus
	<b>Cache Memory</b>	512 KB second level ECC cache
	<b>Memory</b>	1 GB PC2100 DDR SDRAM running at 266MHz, with Advanced ECC capabilities
	<b>Network Controller</b>	Integrated Dual Broadcom 10/100/1000 NICs (Wake on LAN and PXE capable)
	<b>Storage Controller</b>	Integrated Dual Channel Ultra ATA-100 IDE
	<b>Hard Drive</b>	80 GB Ultra ATA/100
	<b>Internal Storage</b>	320 GB maximum (with optional hard drive)
<b>Form Factor</b>	Rack Mount (1U)	

<b>ProLiant DL140 Single 2.4 GHz Xeon 512MB, 80GB, ATA</b> 350534-B21	<b>Processor</b>	Intel Xeon 2.4 GHz processor, 533MHz front-side-bus
	<b>Cache Memory</b>	512 KB second level ECC cache
	<b>Memory</b>	512 MB PC2100 DDR SDRAM running at 266MHz, with Advanced ECC capabilities
	<b>Network Controller</b>	Integrated Dual Broadcom 10/100/1000 NICs (Wake on LAN and PXE capable)
	<b>Storage Controller</b>	Integrated Dual Channel Ultra ATA-100 IDE
	<b>Hard Drive</b>	80 GB Ultra ATA/100
<b>Internal Storage</b>	320 GB maximum (with optional hard drive)	
<b>Form Factor</b>	Rack Mount (1U)	

<b>Country Code Key</b>	XX=00	NA
	XX=01	Australia
	XX=03	UK
	XX=04	Germany
	XX=05	France
	XX=20	BRZ
	XX=29	Japan
	XX=37	AP
	XX=42	Euro
	XX=AA	PRC

## Options

Processor	3.06GHz/512KB Processor Option Kit	359047-B21
	2.4GHz/512KB Processor Option Kit	349043-B21
Memory (DIMMs)	1024MB of Advanced ECC PC2100 DDR SDRAM DIMM Memory Kit (1 x 1024 MB)	351109-B21
	512MB of Advanced ECC PC2100 DDR SDRAM DIMM Memory Kit (1 x 512 MB)	351108-B21
Optical Drives	24x CD-ROM Option Kit	349046-B21
Communications	HP NC150T PCI 4-port Gigabit 1000T Combo Switch Adapter	367132-B21
	HP NC310F PCI-X 1000SX Gigabit Server Adapter	368169-B21
	HP NC320T PCI Express 1000T Gigabit Server Adapter	367047-B21
	HP NC1020 PCI 1000T Gigabit Server Adapter	353377-B21
	HP NC6170 PCI-X Dual Port 1000SX Gigabit Server Adapter	313879-B21
	HP NC7170 PCI-X Dual Port 1000T Gigabit Server Adapter	313881-B21
	HP NC7771 PCI-X 1000T Gigabit Server Adapter	290563-B21
	HP NC570C PCI-X Dual-port 4x Fabric Adapter	376158-B21
	HP NC571C PCI Express Dual-port 4x Fabric Adapter	376160-B21
	HP 24-Port 4x Fabric Copper Switch	376227-B21
	HP 4x Fabric 1m Copper Cable	376232-B21
	HP 4x Fabric 3m Copper Cable	376232-B22
	HP 4x Fabric 5m Copper Cable	376232-B23
	Myrinet -Fiber/PCI-X interface, M3F-PCIXD-2	257894-006
	Myrinet-Fiber/PCI-X Interface (Dual channel Rev. D card)	360040-B21
Hard Drives	<b>ATA 100 - Non-Hot Plug</b>	
	160-GB ATA/100 7,200 rpm Drive (1")	366486-B21
	80-GB ATA/100 7,200 rpm Drive (1")	278424-B21

## Options

ProLiant Essentials Licensing and Packaging	<b>ProLiant Essentials Intelligent Networking Pack</b>	
	ProLiant Essentials Intelligent Networking Pack, Single Server License <b>NOTE:</b> For use with a single server. Contains one license with a unique license activation key and documentation.	372906-B21
HP KVM Switch Options	<b>ProLiant Essentials Vulnerability and Patch Management Pack</b>	
	ProLiant Essentials Vulnerability and Patch Management Pack, Single-Server License <b>NOTE:</b> For additional ProLiant Vulnerability and Patch Management Pack License Kits, please see the QuickSpecs at: <a href="http://h18000.www1.hp.com/products/quickspecs/12111_div/12111_div.HTML">http://h18000.www1.hp.com/products/quickspecs/12111_div/12111_div.HTML</a> <b>NOTE:</b> Flexible and volume quantity license kits are available for ProLiant Essentials Value Packs. Refer to <a href="http://www.hp.com/servers/proliantessentials">http://www.hp.com/servers/proliantessentials</a> or the various ProLiant Essentials Value Pack product QuickSpecs for more information. <b>NOTE:</b> For more information regarding ProLiant Essentials Software, please see the following URL: <a href="http://www.hp.com/servers/proliantessentials">http://www.hp.com/servers/proliantessentials</a> .	371645-B21
	HP 1x4 USB/PS2 KVM Switch, TT (NA/JPN)	371301-D71
	HP 1x4 USB/PS2 KVM Switch ,TT (AU/NZ)	371301-011
	HP 1x4 USB/PS2 KVM Switch, TT (UK)	371301-031
	HP 1x4 USB/PS2 KVM Switch, TT (EU)	371301-A21
	HP 1x4 USB/PS2 KVM Switch ,RM (ALL)	371302-B21
	HP PS2 KVM Cable with audio, 6', 2-pack	371730-B21
	HP USB KVM Cable with audio, 6', 2-pack	371729-B21
USB Options	USB Optical Scroll Mouse (Carbonite)	DD441B
	USB 1.44-MB External Diskette Drive	DC141B
	256 MB HP Drive Key II (USB 2.0)	PH657A

## Service and Support, HP Care Pack, and Warranty Information

Service and Support Offerings (HP Care Pack Services)	<b>Hardware Services 4-Hour On-site Service</b>	
	13-Hour x 5-Day Coverage, 3 Years, Electronic	U9509E
	24-Hour x 7-Day Coverage, 3 Years, Electronic	U9510E
	<b>Hardware Services Next Business Day On-Site Service</b>	
	9-Hour x 5-Day Coverage, 3 Years, Electronic	U9508E
	<b>Hardware Services 6-Hour Call to Repair On-Site Service</b>	
6-Hour Call to Repair, On-site Service, 7-Day x 24-Hour Coverage, 3 Years, Electronic	U9511E	
Hardware Installation, Electronic	U9520E	
	<b>NOTE:</b> For more information, customer/resellers can contact <a href="http://www.hp.com/services/carepack">http://www.hp.com/services/carepack</a> .	

## Tested Product List

**NOTE:** The Tested Product List (TPL) is a list of HP and standard 3rd party devices (hardware or software) that have been tested by either HP or independent test houses for basic compatibility with the HP ProLiant DL140. HP products are supported by HP, non-HP products are not supported by HP. For non-HP products, you must obtain support from their own manufacturer. Non-HP third party products have been tested only for compatibility with the specified HP server. This level of testing confirms proper device recognition by the HP server and basic compatibility with the identified HP server. HP disclaims all responsibility and liability for the manufacturing, distribution, marketing, licensing, installation, use, performance, maintenance, safety, regulatory certification, and support of these 3rd party products.

---

<b>HPTC Interconnect</b>	<b>Manufacturer</b>	Myricom
	<b>Product</b>	Myrinet -Fiber/PCI-X interface, M3F-PCIXD-2
	<b>Data Transfer Method</b>	64-bit, 133/66MHz PCI-X/PCI Bus Master

## Memory

### HP ProLiant DL140 Dual Processor Models

#### Standard Memory

1-GB of PC2100 DDR SDRAM running at 266MHz, with Advanced ECC capabilities Memory installed. (depending on model)

#### Maximum Memory

Up to 4096-MB memory is available with the optional installation of PC2100 Registered ECC DDR SDRAM DIMM Memory kits.

**NOTE:** Chart does not represent all possible memory configurations.

Memory		Slot			
		1	2	3	4
Standard	1,024 MB	Empty	Empty	Empty	1,024 MB
Maximum	4,096 MB	1,024 MB	1,024 MB	1,024 MB	1,024 MB

Following are memory options available from HP:

- 512MB of Advanced ECC PC2100 DDR SDRAM DIMM Memory Kit (1 x 512 MB) 351108-B21
- 1024MB of Advanced ECC PC2100 DDR SDRAM DIMM Memory Kit (1 x 1024 MB) 351109-B21

### HP ProLiant DL140 Single Processor Models

#### Standard Memory

512-MB of PC2100 DDR SDRAM running at 266MHz, with Advanced ECC capabilities Memory installed. (depending on model)

#### Standard Memory Plus Optional Memory

Up to 3584-MB memory is available with the optional installation of PC2100 Registered ECC DDR SDRAM DIMM Memory kits.

#### Maximum Memory

Up to 4096-MB of memory is available with the removal of the standard 512-MB of memory and the optional installation of PC2100 Registered ECC DDR SDRAM DIMM Memory kits.

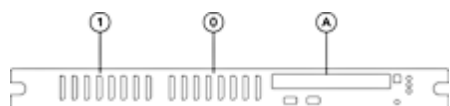
**NOTE:** Chart does not represent all possible memory configurations.

Memory		Slot			
		1	2	3	4
Standard	512 MB	Empty	Empty	Empty	512 MB
Optional	3,584 MB	1,024 MB	1,024 MB	1,024 MB	512 MB
Maximum	4,096 MB	1,024 MB	1,024 MB	1,024 MB	1,024 MB

Following are memory options available from HP:

- 512MB of Advanced ECC PC2100 DDR SDRAM DIMM Memory Kit (1 x 512 MB) 351108-B21
- 1024MB of Advanced ECC PC2100 DDR SDRAM DIMM Memory Kit (1 x 1024 MB) 351109-B21

## Storage



A  
0, 1      24x IDE (ATAPI) CD-ROM (optional)  
Two 1" Non-hot Plug ATA-100 Hard Drive Bays

## Drive Support

### Removable Media

	Quantity Supported	Position Supported	Controller
IDE (ATAPI) CD-ROM Drive	Up to 1	A	Integrated IDE (ATAPI) (optional)

### Hard Drives

#### ATA/100 IDE - Non-Hot Plug

	Quantity Supported	Position Supported	Controller
<u>1-inch</u> 80.0-GB	Up to 2	0, 1	Integrated Dual Channel Ultra ATA-100 Adapter

## Power Specifications

Spare Kit	348796-001
Operational Input Voltage Range (V rms)	90Vac to 264Vac full range
Frequency Range (Nominal) (Hz)	50 Hz to 60 Hz

Nominal Input Voltage (Vrms)	100	115	208	220	230	240
Max Rated Output Wattage Rating	325	325	325	325	325	325
Nominal Input Current (A rms)	4.5	3.9	2.3	2.2	2.1	2.1
Max Rated Input Wattage Rating (Watts)	440	435	420	420	420	420
Max. Rated VA (Volt-Amp)	450	445	470	480	490	500
Efficiency (%)	70	70	72	72	73	73
Power Factor	0.98	0.98	0.88	0.87	0.85	0.80
Leakage Current (mA)	1.0	1.0	1.0	1.0	1.0	1.0
Maximum Inrush Current (A peak)	50	51	70	73	76	78
Maximum Inrush Current duration (mS)	2	2	2	3	3	3

## System Specifications

ProLiant DL140 Fully Configured	Power	
	110V/60Hz	220V/50Hz
Fully Loaded System Input Wattage (W)	442	442
Fully Loaded System Input Current (A rms)	4.1	2.2
Fully Loaded System Thermal (BTU- Hr)	1509	1509
Fully Loaded System VA (Volt-Amp)	450	480
System Leakage with all power supplies loaded (mA)	0.6	0.6
System Inrush Current with all power supplies loaded (A)	50	70
Power cord requirements	Nema 5-15P to IEC320-C13	IEC320-C13 to IEC320-C14
**Power shown is for a fully configured system consisting of (2) CPU, (4) double-sided DIMMs, (2) HDDs, (1) CD-ROM, and (1) PCI card.		
Power Cord Part Number-All Countries	307348-B21	
Power Cord - 12' (US)	227099-B21	

## Technical Specifications

<b>System Unit</b>	<b>Dimensions</b> (HxWxD) (with feet)	1.7 x 16.9 x 23.7 in (4.37 x 43.0 x 60.22 cm)		
	<b>Weight</b> (approximate)	24.2 lb (11.0 kg)		
	<b>Input Requirements</b> (per power supply)	<b>Range Input Voltage</b>	90 to 140 VAC/180 to 264 VAC	
		<b>Normal Line Voltage</b>	115 or 230 VAC	
	<b>Line Frequency</b>	50 to 60 Hz		
	<b>Rated Input Current load</b>	3.9A at 115VAC, 2.1A at 230VAC		
	<b>BTU Rating</b>	1,100 BTU-Hr		
	<b>Power Supply Output Power</b> (per power supply)	<b>Rated Steady-State Power</b>	325W	
		<b>Maximum Peak Power</b>	420W	
	<b>Temperature Range</b>	<b>Operating</b>	50° to 93° F (10° to 35° C)	
		<b>Shipping</b>	-40° to 140° F (-40° to 60° C)	
	<b>Relative Humidity</b> (non-condensing)	<b>Operating</b>	10% to 90%	
		<b>Non-operating</b>	10% to 95%	
	<b>Acoustic Noise</b>	<b>Idle</b> (Fixed Disk Drives Spinning)	L WAd (BELS)	5.9
			L pAm (dBA)	48
<b>Operating</b> (Random Seeks to Fixed Disks)		L WAd (BELS)	6.6	
		L pAm (dBA)	54	

---

<b>Non-Hot Plug ATA/100 Hard Drives</b>	<b>80 GB 7.2K</b> 278424-B21	<b>Capacity</b>	80027 MB		
		<b>Height</b>	1.028 in (2.61 cm)		
		<b>Width</b>	4.0 in (10.16 cm)		
		<b>Interface</b>	ATA 100		
		<b>Transfer Rate Synchronous</b> (Maximum)	100 MB/s		
		<b>Seek Time</b> (typical reads, including settling)	Single Track	0.8 ms	
			Average	9.0 ms	
			Full-Stroke	17.0 ms	
			<b>Rotational Speed</b>	7,200 rpm	
		<b>Physical Configuration</b>	Bytes/Sector	512	
	Logical Blocks		160,086,528		
		<b>Operating Temperature</b>	41° to 131° F (5° to 55° C)		

## Technical Specifications

Integrated Dual Channel Ultra ATA-100 Adapter (ATA Models only)	Drives Supported	Up to 2 IDE devices
	Channels	2 (ATA Drives, CDROM)
	Storage Capacity	160 GB internal storage
	Data Transfer Method	32-bit/33-MHz PCI bus-master
	Maximum ATA Channel Transfer Rate	100 MB/s per channel
	Maximum Transfer Rate per PCI Bus (peak)	266 MB/s per channel
	ATA Protocols	UDMA Mode[0-5] PIO Mode[0-4]
	ATA 100 Cable	80-Conductor Cable
	Internal ATA Connectors	Two 40-Pin Connectors (primary and secondary)

Integrated Dual Broadcom 10/100/1000 NICs (Wake on LAN and PXE capable)	Network Interface	10Base-T/100Base-TX/1000Base-TX		
	Compatibility	IEEE 802.3 10Base-T		
		IEEE 802.3 1000Base-T		
		IEEE 802.3 100Base-TX		
	Data Transfer Method	64-bit, 133MHz PCI(X)1.0		
	Network Transfer Rate	10Base-T (Half-Duplex)	10 Mb/s	
		10Base-T (Full-Duplex)	20 Mb/s	
		100Base-TX (Half-Duplex)	100 Mb/s	
		100Base-TX (Full-Duplex)	200 Mb/s	
		1000Base-TX (Half-Duplex)	1000 Mb/s	
1000Base-TX (Full-Duplex)		2000 Mb/s		
Connector	RJ-45			
Cable Support	10Base-T	Categories 3, 4 or 5 UTP; up to 328 ft (100 m)		
	10/100/1000Base-TX	Category 5 UTP (2 Pair); up to 328 ft (100 m)		

© Copyright 2005 Hewlett-Packard Development Company, L.P.

The information contained herein is subject to change without notice.

Microsoft and Windows NT are US registered trademarks of Microsoft Corporation. Intel is a US registered trademark of Intel Corporation.

The only warranties for HP products and services are set forth in the express warranty statements accompanying such products and services. Nothing herein should be construed as constituting an additional warranty. HP shall not be liable for technical or editorial errors or omissions contained herein.