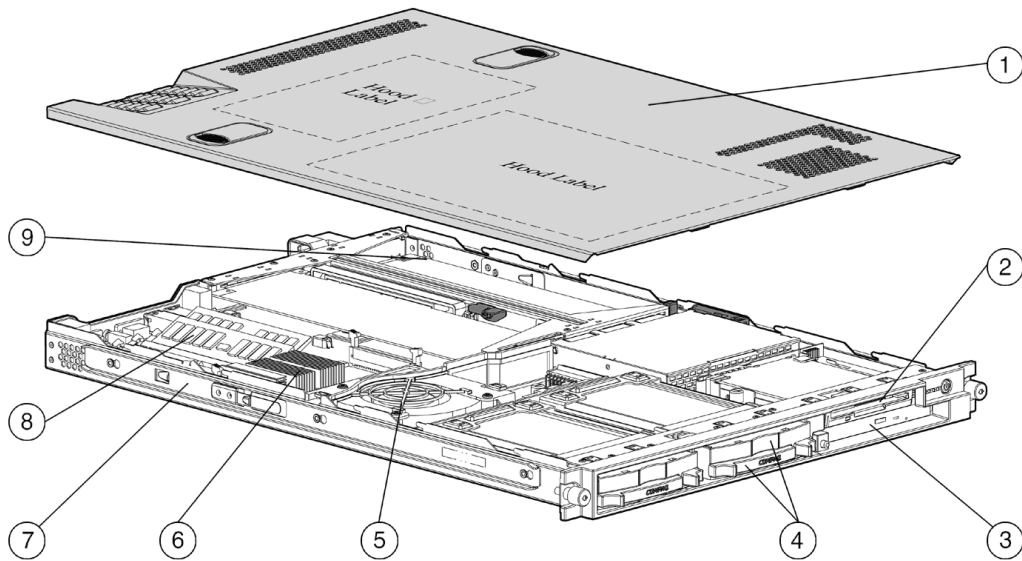


Overview



1. Tool-free cover (for easy internal component access)
2. 1.44-MB Floppy Drive
3. 24x CD-ROM Drive (Low-Profile)
4. Two 1" Wide Ultra3 SCSI Hot Plug Drive Bays
5. High Pressure Blower
6. Processor (one shown, two supported)
7. Rack side rails
8. 2 Full Length PCI Slots
9. Internal components (memory, motherboard, etc.)

What's New

- New DC Power Supply for the DL360 (48 V)

At A Glance

- Continuing to innovate highly manageable, performance driven, rack-optimized server for space constrained, scale-out environments
- Intel® Pentium III FC-PGA 1.40-GHz processor (dual capability)
- 512-KB level 2 ECC cache
- 1U Rack form factor (1.75")
- ServerWorks HE- SuperLite Chipset
- Triple Peer PCI Architecture with 133-MHz Front Side Bus
- Integrated Lights-Out (iLO) Management (ASIC on motherboard)
- Smart Array 5i Controller (integrated on system board)
- Two full length expansion PCI slots: 64-bit/66-MHz
- Two USB ports
- 200-Watt Power Supply
- 256-MB PC133-MHz Registered ECC SDRAM memory, (2 x 1 Interleaved Memory), expandable to 4 GB
- Two Compaq NC7780 PCI-X 10/100/1000-T Server Adapters
- Wide Ultra3 SCSI Drive Cage standard supports up to two 1" Wide Ultra3/Ultra320 hot plug hard drives
- Internal hot plug capacity up to 293.6 GB (2 x 146.8-GB 1" HD)
- Exceptional serviceability with optional sliding rails, cable management and in-rack, tool-free service ability access
- Automatic Server Recovery (ASR), ROM Based Setup Utility (RBSU) Insight Manager7, Status LEDs including system health and UID and SmartStart
- Protected by HP Services, including a three-year, next business day on-site limited global warranty and extended Pre-Failure Warranty which covers processors, memory, and hard drives — Certain restrictions and exclusions apply. Consult the HP Customer Support Center at 1-800-345-1518 for details.

Standard Features

Processor	(1) Intel Pentium III FC-PGA processor 1.40 GHz		
Cache Memory	512-KB second level ECC cache		
Upgradability	Upgradeable to dual processing		
Chipset	ServerWorks HE- SuperLite Chipset NOTE: For more information regarding ServerWorks, please see the following URL: http://www.serverworks.com/products/overview.html . NOTE: This Web site is available in English only.		
Memory	Standard	256 MB (2 x 128-MB, PC133-MHz Registered ECC SDRAM memory)	
	Maximum	4 GB	
Network Controller	Two Compaq NC7780 PCI-X 10/100/1000-T Server Adapter NOTE: The ProLiant DL360 Generation 2 (G2) does not support 64-Bit/133MHz PCI-X bus speeds and will run at 64-Bit/66MHz.		
Expansion Slots	I/O (2 Total)		PCI Voltage
	64-bit, 66MHz	2	3.3 Volt
Manageability	Integrated Lights-Out (iLO) Management (ASIC on motherboard)		
Storage Controllers	Smart Array 5i Controller (integrated on system board) NOTE: The ProLiant DL360 Generation 2 (G2) does not offer an external SCSI port.		
Storage	Diskette Drives	1.44 MB (fixed)	
	CD-ROM	24x IDE CD-ROM Drive (Low-Profile) (ejectable)	
	Hard Drives	None ship standard	
	Maximum Internal Storage	293.6 GB (internal drive cage) (2 x 146.8 GB Ultra320, 1" drives)	
Interfaces	Serial	1	
	Pointing Device (Mouse)	1	
	Graphics	1	
	Hot Plug Keyboard	1	
	USB	2	
		NOTE: Please see the following URL for additional information regarding USB support: http://h18004.www1.hp.com/products/servers/platforms/usb-support.html . NOTE: This Web site is available in English only.	
	Network RJ-45	2	
	iLO remote management port	1	

Standard Features

Graphics Integrated ATI RAGE XL Video Controller with 8-MB SDRAM Video Memory

Form Factor Rack (1U), (1.75 in/4.45 cm)

Product Demo To view the Product Demo, please see the following URL, then click on "PRODUCT DEMO":
<http://h18000.www1.hp.com/products/servers/proliantdl360/index.html>.
NOTE: This Web site is available in English only.

Standard Features

ProLiant Essentials Foundation Pack Software

Insight Manager 7

Insight Manager 7 helps maximize system uptime and performance and reduces the cost of maintaining the IT infrastructure by providing proactive notification of problems before those problems result in costly downtime and reduced productivity. Insight Manager 7 is easy to set up and provides rapid access to detailed fault and performance information gathered by the Management Agents. One-click access to the Integrated Lights-Out or Remote Insight Lights Out Edition board allows systems administrators to take full graphical control of ProLiant servers in remote locations or lights-out data centers. Finally, Insight Manager 7 in concert with the Version Control Agents and Version Control Repository Manager enables systems administrators to version manage and update system software across groups of ProLiant servers.

SmartStart

SmartStart is a tool that simplifies server setup, providing a rapid way to deploy reliable and consistent server configurations. For more information, please visit the SmartStart Web site at <http://www.hp.com/servers/smartstart>.
SmartStart version supported (minimum): SmartStart 5.30.

Management Agents

The Management Agents form the foundation for HP's Intelligent Manageability strategy. They provide direct, browser-based access to in-depth instrumentation built into HP servers, workstations, desktops, and portables, and send alerts to Insight Manager 7 and other enterprise management applications in case of subsystem or environmental failures. For additional information about the Management Agents and other management products from HP, please visit the management Web site at <http://www.hp.com/servers/manage>.

ActiveUpdate

Active Update is a web-based application that keeps IT managers directly connected to HP for proactive notification and delivery of the latest software updates.

ROMPaa, support software, and configuration utilities

The latest software, drivers, and firmware fully optimized and tested for your ProLiant server and options.

Survey Utility and diagnostics utilities

The most advanced configuration analysis, reporting and troubleshooting utilities used by HP and at your fingertips.

Optional ProLiant Essentials Value Packs

Optional software offerings that selectively extend the functionality of an Adaptive Infrastructure to address specific business problems and needs:

- Rapid Deployment Pack – an automated solution for multi-server deployment and provisioning, enabling companies to quickly and easily adapt to changing business demands.
- Workload Management Pack – provides easier management of complex environments, improving overall server utilization and enabling Windows® 2000 customers for the first time to confidently deploy multiple applications on a single multiprocessor ProLiant Server.
- Performance Management Pack – a performance management solution that identifies and explains hardware performance bottlenecks on ProLiant servers and attached options enabling users to better utilize their valuable resources.

NOTE: Flexible and volume quantity license kits are available for ProLiant Essentials Value Packs. Refer to <http://www.hp.com/servers/proliantessentials> or the various ProLiant Essentials Value Pack product QuickSpecs for more information.

NOTE: For more information regarding ProLiant Essentials Software, please see the following URL: <http://www.hp.com/servers/proliantessentials>

Industry Standard Compliance

ACPI 1.0b Compliant

PCI 2.2 Compliant

Microsoft® Logo certifications

USB 1.1

Standard Features

Manageability

Integrated Lights-Out (iLO)*
Virtual Text Remote Console
Virtual Power Button Control
Dedicated LAN Connectivity
Automatic IP Configuration via DHCP/DNS/WINS
Industry Standard 128-bit Secure Sockets Layer (SSL) Security
IML and iLO Event Logging
Support for up to 12 user accounts with customizable access privileges
Automatic Server Recovery (ASR)
Integrated Lights-Out Management
Insight Manager 7
Management Agents
Redundant ROM
Remote ROM Flash
Integrated Management Log
Drive Parameter Tracking (with Smart Array Controllers)
Dynamic Sector Repairing (with Smart Array Controllers)
Hot Spare Boot (**NOTE:** Upon the event of a failed processor or VRM in a multi-processing environment, the system will automatically reboot and use the remaining good processor(s).)
Pre-Failure Warranty (covers processors, hard drives and memory)
*Advanced features such as Graphical Remote Console and Virtual Floppy available as a separate option

Security

Power-on password
Keyboard password
Diskette drive control
Diskette boot control
QuickLock, Network Server Mode
Removable CD/Floppy Drive Assembly
Serial interface control
Administrator's password
Disk configuration lock
Integrated Lights-Out has 12 customizable user accounts and SSL encryption
Integrated Lights-Out can be disabled via a Global Setting

Server Power Cords

One Lowline power cord ships standard.

Power Supply

Dual Input Voltage, Auto-sensing 200-Watt, 308-Watt peak input, 3 integrated fans with failure sensors, CE Mark Compliant

System Fans

1 fan ships standard. 1 total supported internally..

Required Cabling

For required cabling information, refer to the Web site at <http://h18000.www1.hp.com/products/servers/proliantdl360/>.
NOTE: This Web site is available in English only.

Standard Features

OS Support

Microsoft Windows NT® Server
Microsoft Windows 2000
Novell NetWare
LINUX (Red Hat, SuSE)

NOTE: For a more complete and up-to-date listing of supported OSs and versions, please visit our OS Support Matrix page at: <ftp://ftp.compaq.com/pub/products/servers/os-support-matrix-310.pdf>.

NOTE: For a listing of the latest drivers available for the Compaq ProLiant DL360, please see:

<http://h18023.www1.hp.com/support/files/server/us/index.html>.

NOTE: These Web sites are available in English only.

Rack Airflow Requirements

- Rack 9000 and 10000 series Cabinets

The increasing power of new high-performance processor technology requires increased cooling efficiency for rack-mounted servers. The Compaq 9000 and 10000 Series Racks provide enhanced airflow for maximum cooling, allowing these racks to be fully loaded with servers using the latest processors.

- Rack 7000 series Cabinets

When installing a server with processors running at speeds of 550 MHz or greater in Compaq Rack 7000 series racks with glass doors (165753-001 (42U), and 163747-001 (22U)), the new processor technology requires the installation of High Airflow Rack Door Inserts 327281-B21 (42U), 327281-B22 (42U 6 pack), or 157847-B21 (22U) to promote enhanced airflow for maximum cooling.

CAUTION: If a third-party rack is used, observe the following additional requirements to ensure adequate airflow and to prevent damage to the equipment:

- **Front and rear doors:** If your 42U server rack includes closing front and rear doors, you must allow 830 square inches (5,350 sq cm) of hole evenly distributed from top to bottom to permit adequate airflow (equivalent to the required 64 percent open area for ventilation).
- **Side:** The clearance between the installed rack component and the side panels of the rack must be a minimum of 2.75 inches (7 cm).

CAUTION: Always use blanking panels to fill all remaining empty front panel U-spaces in the rack. This arrangement ensures proper airflow. Using a rack without blanking panels results in improper cooling that can lead to thermal damage.

NOTE: For additional information, refer to the Setup and Installation Guide or the Documentation CD provided with the server, or to the server documentation located in the Support section at the following URL:

<http://h18000.www1.hp.com/products/servers/proliantdl360/index.html>.

NOTE: This Web site is available in English only.

Standard Features

Service and Support

HP Services provides a three-year, limited warranty, including Pre-Failure Warranty (coverage of hard drives, memory and processors) fully supported by a worldwide network of resellers and service providers. HP technical assistance is available 7 x 24, toll free in the United States and Canada. Telephone support services may be covered under warranty or available for an additional fee.

NOTE: Limited Warranty includes 3 year Parts, 3 year Labor, 3-year on-site support.

A full range of HP Care Pack packaged hardware and software services:

- Installation and start up
- Extended coverage hours and enhanced response times
- System management and performance services
- Availability and recovery services

NOTE: For more information, customer/resellers can contact <http://www.hp.com/hps/>.

Please see the following URL regarding Warranty Information For Your HP Products:

<http://h18004.www1.hp.com/products/servers/platforms/warranty/index.html>.

For additional information regarding Worldwide Limited Warranty and Technical Support, please see the following URL:

<ftp://ftp.compaq.com/pub/supportinformation/ejourney/176738.pdf>.

NOTE: These Web sites are available in English only.

NOTE: Certain restrictions and exclusions apply. Consult the Customer Support Center at 1-800-345-1518 for details.

Models

<p>DL360R02 P1 400-512KB, 256 MB 233271-xx1</p>	<p>Processor Cache Memory Memory Network Controller</p> <p>Storage Controller</p> <p>Hard Drives Internal Storage Optical Drive Form Factor</p>	<p>(1) Intel Pentium III FC-PGA processor 1.40-GHz standard (up to 2 supported) 512-KB level 2 ECC cache 256-MB (Standard) to 4-GB (Maximum) PC133-MHz Registered ECC SDRAM Two Compaq NC7780 PCI-X 10/100/1000-T Server Adapters NOTE: The ProLiant DL360 Generation 2 (G2) does not support 64-Bit/133MHz PCI-X bus speeds and will run at 64-Bit/66MHz. Smart Array 5i Controller (integrated on system board) NOTE: The ProLiant DL360 Generation 2 (G2) does not offer an external SCSI port. None ship standard Up to 293.6 GB maximum (with optional hard drives) 24x IDE CD-ROM Drive (Low-profile) Rack (1U), (1.75-in/4.45 cm)</p>
--	--	--

<p>DL360R02 P1 400-512KB, 256 MB, 3-Pack 251247-xx1</p> <p>NOTE: Available in North America only.</p> <p>NOTE: 3-Pack includes the following configuration for each DL360 server.</p>	<p>Processor Cache Memory Memory Network Controller</p> <p>Storage Controller</p> <p>Hard Drives Internal Storage Optical Drive Form Factor</p>	<p>(1) Intel Pentium III FC PGA2 processor 1.40-GHz standard (up to 2 supported) 512-KB level 2 ECC cache 256-MB (Standard) to 4-GB (Maximum) PC133-MHz Registered ECC SDRAM Two Compaq NC7780 PCI-X 10/100/1000-T Server Adapters NOTE: The ProLiant DL360 Generation 2 (G2) does not support 64-Bit/133MHz PCI-X bus speeds and will run at 64-Bit/66MHz. Smart Array 5i Controller (integrated on system board) NOTE: The ProLiant DL360 Generation 2 (G2) does not offer an external SCSI port. None ship standard Up to 293.6 GB maximum (with optional hard drives) 24x IDE CD-ROM Drive (Low-profile) Rack (1U), (1.75-in/4.45 cm)</p>
--	--	---

Country Code Key

XX=00
XX=01
XX=03
XX=06
XX=08
XX=11
XX=29
XX=37
XX=42
XX=AA

Rack Code Key

US
Australia
UK
Italy
Denmark
Swiss
Japan
APD
EURO
PRC

Options

ProLiant DL360 G2 Unique Options	Pentium III P1400 512-KB Processor Option Kit	233273-B21
	Battery Backed Write Cache Enabler Option Kit	255514-B21
	Battery Backed Write Cache Enabler Option Kit (Japan)	255514-291
	DL360 G2 Sliding Rail Option Kit	233274-B21
	DL360 G2 Telco Rack Option Kit	251243-B21
	DC Power Supply for the DL360 (48 V)	251244-B21
NOTE: The ProLiant DL360 ships with a 100-240 VAC power supply.		
ProLiant Essentials Value Pack Software	Rapid Deployment Pack, 1 User, V1.x	267196-B21
	NOTE: This license allows 1 server to be managed and deployed via the Deployment Server.	
	Rapid Deployment Pack, 1 User, V1.x (Japan)	267196-291
	NOTE: This license allows 1 server to be managed and deployed via the Deployment Server.	
	Rapid Deployment Pack, 10 Users, V1.x	269817-B21
	NOTE: This license allows 10 servers to be managed and deployed via the Deployment Server.	
	Rapid Deployment Pack, 10 Users, V1.x (Japan)	269817-291
	NOTE: This license allows 10 servers to be managed and deployed via the Deployment Server.	
ProLiant Essentials Workload Management Pack (Featuring Compaq Resource Partitioning Manager version 2.0)	303284-B21	
ProLiant Essentials Performance Management Pack v2.0, Single License	306696-B21	
NOTE: Flexible and volume quantity license kits are available for ProLiant Essentials Value Packs. Refer to http://www.hp.com/servers/proliantessentials or the various ProLiant Essentials Value Pack product QuickSpecs for more information.		
NOTE: For more information regarding ProLiant Essentials Software, please see the following URL: http://www.hp.com/servers/proliantessentials .		
NOTE: These Web sites are available in English only.		
Software	HP digital asset protection	302316-001
Software – Secured Solutions	InterScan/Immunix Secured Solution for hp ProLiant servers	307039-B21
NetServer to ProLiant integrations services	HP NetServer to ProLiant integration and assessment service	304164-002
	NOTE: HP identifies current levels of NetServer support, services, and management. This service helps maximize customer's ability to add ProLiant platforms into their current environment.	
	HP TopTools to Insight Manager 7 installation and startup service	304163-002
	NOTE: Provides on-site review, installation and configuration services for Insight Manager 7. HP will also re-create, as closely as possible, the views and reports from the customer's current TopTools configuration. This service assures a smooth transition to the ProLiant Essentials software.	
HP NetServer to ProLiant Essentials Rapid Deployment Pack installation and startup service	304162-002	
NOTE: Install and configure Rapid Deployment Pack in a test environment, then deploy a server image to a maximum of 250 systems in the production environment. This service helps to assure successful system deployment.		
Processor	Pentium III P1400 512-KB Processor Option Kit	233273-B21

Options

Memory (DIMMs)	2048-MB PC133-MHz Registered ECC SDRAM DIMM Memory Option Kit (2 x 1024 MB)	201695-B21
	1024-MB PC133-MHz Registered ECC SDRAM DIMM Memory Option Kit (2 x 512 MB)	201694-B21
	512-MB PC133-MHz Registered ECC SDRAM DIMM Memory Option Kit (2 x 256 MB)	201693-B21
	256-MB PC133-MHz Registered ECC SDRAM DIMM Memory Option Kit (2 x 128 MB)	201692-B21

Optical Drives	Slimline CD-RW/DVD-ROM 24X Combo Drive Option Kit	331903-B21
----------------	---	------------

Hard Drives	Ultra 320 SCSI – Universal Hot Plug	
	36.4GB 10,000 rpm, U320 Universal Hard Drive, 1"	286713-B22
	72.8GB 10,000 rpm, U320 Universal Hard Drive, 1"	286714-B22
	146.8GB 10,000 rpm, U320 Universal Hard Drive, 1"	286716-B22
	18.2GB 15,000 rpm, U320 Universal Hard Drive, 1"	286775-B22
	36.4GB 15,000 rpm, U320 Universal Hard Drive, 1"	286776-B22
	72.8GB 15,000 rpm, U320 Universal Hard Drive, 1"	286778-B22

NOTE: All U320 Universal Hard Drives are backward compatible to U2 or U3 speeds. U320 drives require an optional U320 Smart Array Controller or U320 SCSI HBA to support U320 transfer rates.

NOTE: Please see the Hard Drive QuickSpecs for Technical Specifications such as capacity, height, width, interface, transfer rate, seek time, physical configuration, and operating temperature:

U320 Hard Drive QS:

http://h18000.www1.hp.com/products/quickspecs/11531_div/11531_div.HTML (Worldwide)

http://h18000.www1.hp.com/products/quickspecs/11531_na/11531_na.HTML (North America)

Options

Storage Controllers	Battery Backed Write Cache Enabler Option Kit	255514-B21
	Battery Backed Write Cache Enabler Option Kit (Japan)	255514-291
	Smart Array 532 Controller	225338-B21
	NOTE: For support of external drives.	
	Smart Array 532 Controller (Japan)	225338-291
	NOTE: For support of external drives.	
	Smart Array 5302/128 Controller	283552-B21
	NOTE: For support of external drives.	
	Smart Array 5302/128 Controller (Japan)	283552-291
	NOTE: For support of external drives.	
	Smart Array 5304/256 Controller	283551-B21
	NOTE: For support of external drives.	
	Smart Array 5304/256 Controller (Japan)	283551-291
	NOTE: For support of external drives.	
	Ultra3 Channel Expansion Module for Smart Array 5300 Controller	153507-B21
	128-MB Cache Module for Smart Array 5302 Controller	153506-B21
	RAID ADG Upgrade for Smart Array 5302	288601-B21
	256-MB Battery-Backed Cache Module	254786-B21
	NOTE: This 256-MB Battery-Backed Cache Module supports the Smart Array 5300 series controllers, MSA 1000 and the Smart Array Cluster Storage.	
	64-bit/66-MHz Single Channel Wide Ultra3 SCSI Adapter	154457-B21
	NOTE: For support of external drives.	
	64-bit/66-MHz Dual Channel Wide Ultra3 SCSI Adapter	129803-B21
NOTE: For support of external drives.		
64-Bit/133-MHz Dual Channel Ultra320 SCSI Adapter	268351-B21	
64-Bit/66-MHz Dual Channel Wide Ultra3 SCSI Adapter, Alternate OS	284688-B21	
NOTE: Please see the following Controller or SCSI Adapter QuickSpecs for Technical Specifications such as PCI Bus, PCI Peak Data Transfer Rate, SCSI Protocols supported, SCSI Peak Data Transfer Rate, Channels, SCSI Ports, Drives supported, Cache, RAID support, and additional information: http://h18000.www1.hp.com/products/quickspecs/11063_div/11063_div.HTML (Smart Array 5i Plus) http://h18000.www1.hp.com/products/quickspecs/10851_div/10851_div.HTML (Smart Array 532) http://h18000.www1.hp.com/products/quickspecs/10640_div/10640_div.HTML (Smart Array 5300 Series) http://h18000.www1.hp.com/products/quickspecs/10429_div/10429_div.HTML (SCSI Adapter) http://h18000.www1.hp.com/products/quickspecs/11555_div/11555_div.HTML (U320 Adapter)		

Communications	Compaq NC3123 Fast Ethernet NIC PCI 10/100 WOL	174830-B21
	Compaq NC3134 Fast Ethernet NIC 64 PCI Dual Port 10/100	138603-B21
	Compaq NC3135 Fast Ethernet Upgrade Module	138604-B21
	Compaq NC6132 Gigabit Module 1000 SX Upgrade Module for NC3134 and NC3131	338456-B23
	Compaq NC6136 Gigabit Server Adapter, 64-bit/66-MHz, PCI, 1000 SX	203539-B21
	HP NC6770 PCI-X Gigabit Server Adapter, 1000-SX	244949-B21
	Compaq NC7132 10/100/1000-T Upgrade Module for NC3134 and NC3131	153543-B21
	Compaq NC7770 PCI-X Gigabit Server Adapter	244948-B21
	NOTE: The ProLiant DL360 Generation 2 (G2) does not support 64-Bit/133-MHz PCI-X bus speeds and will run at 64-Bit/66-MHz.	

Options

DC Power Supply	DC Power Supply for the DL360 (48 V) NOTE: The ProLiant DL360 ships with a 100-240 VAC power supply.	251244-B21
Management Options	Remote Insight Lights-Out Edition II (NA, LA) Remote Insight Lights-Out Edition II (EMEA) Remote Insight Lights-Out Edition II (ROW)	227251-001 227251-021 227251-371
Security	HP/Atalla AXL600L SSL Accelerator Card for ProLiant Servers Compaq AXL300 Accelerator PCI Card (HW SSL Encryption) for ProLiant Servers	524545-B21 227933-B21

Monitors

Essential Series

Compaq S9500 CRT Monitor (19-inch, Carbon/Silver)	261615-XXX
Compaq S7500 CRT Monitor (17-inch, Carbon/Silver)	261606-XXX
Compaq S5500 CRT Monitor (15-inch Carbon/Silver)	261602-XXX
Compaq TFT1501 Flat Panel Monitor (15-inch, Carbon/Silver, North America)	301042-003
Compaq TFT1501 Flat Panel Monitor (15-inch, Carbon/Silver, Outside North America)	P4825D-XXX
Compaq TFT1701 Flat Panel Monitor (17-inch, Carbon/Silver, North America)	292847-003
Compaq TFT1701 Flat Panel Monitor (17-inch, Carbon/Silver, Outside North America)	P9019A-XXX

Advantage Series

Compaq V7550 CRT Color Monitor (17-inch, Carbon/Silver)	261611-XXX
Compaq TFT1720 Flat Panel Monitor (17-inch, Carbon/Silver, North America)	295926-003
Compaq TFT1720 Flat Panel Monitor (17-inch, Carbon/Silver, outside North America)	D5064D-XXX
Compaq FT1720M Flat Panel Monitor (17-inch, Carbon/Silver, includes speaker, USB port, headphone, North America)	301958-003
Compaq TFT1720M Flat Panel Monitor (17-inch, Carbon/Silver, includes speaker, USB port, headphone, outside North America)	D5064P-XXX
Compaq TFT1520 Flat Panel Monitor (15-inch, Carbon/Silver, North America)	295925-003
Compaq TFT1520 Flat Panel Monitor (15-inch, Carbon/Silver, outside North America)	D5063D-XXX
Compaq TFT1520M Flat Panel Monitor (15-inch, Carbon/Silver includes speaker, USB port, headphone, North America)	301957-003
Compaq TFT1520M Flat Panel Monitor (15-inch, Carbon/Silver includes speaker, USB port, headphone, outside North America)	D5063P-XXX

Options

Performance Series

HP P930 CRT Monitor (19-inch, Flat-screen, Carbon/Silver, North America)	302268-003
HP P930 CRT Monitor (19-inch, Flat-screen, Carbon/Silver, Outside North America)	P909W-XXX
HP P1130 CRT Monitor (21-inch, Flat-screen, Carbon/Silver, North America)	302270-003
HP P1130 CRT Monitor (21-inch, Flat-screen, Carbon/Silver, Outside North America)	P4819-XXX
HP L1825 Flat Panel Monitor (18-inch, Carbon/Silver, North America)	303486-003
HP L1825 Flat Panel Monitor (18-inch, Carbon/Silver, Outside North America)	P9021W-XXX
HP L2025 Flat Panel Monitor (20-inch, Carbon/Silver, North America)	303102-003
HP L2025 Flat Panel Monitor (20-inch, Carbon/Silver, Outside North America)	P4831W-XXX
Compaq TFT1825 Flat Panel Monitor (18-inch, Carbon/Silver, North America)	296751-003
Compaq TFT1825 Flat Panel Monitor (18-inch, Carbon/Silver, Outside North America)	P9021A-XXX
Compaq TFT2025 Flat Panel Monitor (20-inch, Carbon/Silver, North America)	285550-003
Compaq TFT2025 Flat Panel Monitor (20-inch, Carbon/Silver, Outside North America)	P4831D-XXX

Rackmount Flat Panel Monitors

TFT5110R Flat Panel Monitor (Carbon) (1U rack mountable)	281683-B21
TFT5010R Flat Panel Monitor (NA) (2U rack mountable)	217248-001
TFT5010R Flat Panel Monitor (Int'l) (2U rack mountable)	217248-B31
TFT5010R Flat Panel Monitor (Japan) (2U rack mountable)	217248-291

NOTE: Monitors larger than 17" may be too heavy for use in rack systems.

Tape Drives

External DAT Tape Drives

HP StorageWorks 20/40-GB DAT DDS-4 Tape Drive, External (Carbon) (NA)	157770-002
HP StorageWorks 20/40-GB DAT DDS-4 Tape Drive, External (Int'l) (Carbon)	157770-B32
HP StorageWorks 20/40-GB DAT DDS-4 Tape Drive, External (Japan)(Carbon)	157770-292

NOTE: Please see the 20/40-GB DAT Tape Drive QuickSpecs for additional options such as host bus adapters, controllers, cassettes, and for an up-to-date listing of the latest O/S Support details, please see the following:

http://h18006.www1.hp.com/products/quickspecs/10426_div/10426_div.html (Worldwide)

http://h18006.www1.hp.com/products/quickspecs/10426_na/10426_na.html
(North America)

HP StorageWorks DAT 72 Tape Drive for ProLiant, External (Carbon)	Q1527A
---	--------

NOTE: Please see the DAT 72 Tape Drive QuickSpecs for additional options such as host bus adapters, controllers, cassettes, and for an up-to-date listing of the latest O/S Support details, please see the following:

http://h18000.www1.hp.com/products/quickspecs/11597_div/11597_div.HTML (Worldwide)

http://h18000.www1.hp.com/products/quickspecs/11597_na/11597_na.HTML (North America)

Options

External AIT Tape Drives

HP StorageWorks External AIT 35-GB, LVD Tape Drive (Carbon)	216885-001
HP StorageWorks External AIT 35-GB, LVD Tape Drive (Carbon) (Int'l)	216885-B31
HP StorageWorks External AIT 35-GB, LVD Tape Drive (Carbon) (Japan)	216885-291

NOTE: Please see the AIT 35 GB, LVD Tape Drive QuickSpecs for additional options such as adapters, controllers, and cassettes, and for an up-to-date listing of the latest O/S Support details, please see the following:

http://h18006.www1.hp.com/products/quickspecs/10712_div/10712_div.html (Worldwide)

http://h18006.www1.hp.com/products/quickspecs/10712_na/10712_na.html
(North America)

HP StorageWorks AIT 50-GB Tape Drive, External (Carbon) (NA)	157767-002
HP StorageWorks AIT 50-GB Tape Drive, External (Int'l) (Carbon)	157767-B32
HP StorageWorks AIT 50-GB Tape Drive, External (Japan) (Carbon)	157767-292
HP StorageWorks Internal AIT 50-GB, Hot Plug (Carbon)	215487-B21
HP StorageWorks AIT 50GB Tape Drive, 3U Rackmount	274333-B21

NOTE: Please see the AIT 50-GB Tape Drive QuickSpecs for additional options such as adapters, controllers, and cassettes, and for an up-to-date listing of the latest O/S Support details, please see the following:

http://h18006.www1.hp.com/products/quickspecs/10425_div/10425_div.html (Worldwide)

http://h18006.www1.hp.com/products/quickspecs/10425_na/10425_na.html
(North America)

HP StorageWorks External AIT 100-GB Tape Drive (Carbon)	249160-001
HP StorageWorks External AIT 100-GB Tape Drive (Carbon) (Int'l)	249160-B31

NOTE: Please see the AIT 100-GB Tape Drive QuickSpecs for additional options such as adapters, controllers, and cassettes, and for an up-to-date listing of the latest O/S Support details, please see the following:

http://h18006.www1.hp.com/products/quickspecs/11062_div/11062_div.html (Worldwide)

http://h18006.www1.hp.com/products/quickspecs/11062_na/11062_na.html
(North America)

External DLT/SDLT Tape Drives

HP StorageWorks 40/80-GB DLT Tape Drive, External (Carbon) (NA)	146197-B22
HP StorageWorks 40/80-GB DLT Tape Drive, External (Carbon) (Japan)	146197-293
HP StorageWorks Rackmount DLT 40/80, 3U (Single Drive)	274332-B21
HP StorageWorks Rackmount DLT 40/80, Dual Drive 3U (Two Drives)	274335-B21
HP StorageWorks Rackmount DLT 40/80, Tape Array III, 5U (Four Drives)	274337-B21

NOTE: Please see the 40/80-GB DLT Drive QuickSpecs for additional options such as host bus adapters, controllers, cassettes, and for an up-to-date listing of the latest O/S Support details, please see the following:

http://h18006.www1.hp.com/products/quickspecs/10658_div/10658_div.html (Worldwide)

http://h18006.www1.hp.com/products/quickspecs/10658_na/10658_na.html
(North America)

Options

External DLT VS Tape Drives

HP StorageWorks DLT VS 40/80 Tape Drive, External (Carbon) (NA)	280129-B22
HP StorageWorks DLT VS 40/80 Tape Drive, External (Carbon) (Int'l)	280129-B31
HP StorageWorks DLT VS 40/80 Tape Drive, External (Carbon) (Japan)	280129-291

NOTE: Please see the DLT VS 40/80 Tape Drive QuickSpecs for additional options such as host bus adapters, controllers, cassettes, and for an up-to-date listing of the latest O/S Support details, please see the following:

http://h18006.www1.hp.com/products/quickspecs/10403_div/10403_div.html (Worldwide)
http://h18006.www1.hp.com/products/quickspecs/10403_na/10403_na.html
 (North America)

HP StorageWorks Rackmount SDLT 110/220, 3U (Single Drive)	274331-B21
HP StorageWorks Rackmount SDLT 110/220, Dual-Drive, 3U (Two Drives)	274334-B21
HP StorageWorks Rackmount SDLT 110/220, Tape Array III, 5U (Four Drives)	274336-B21

NOTE: Please see the SDLT 110/220-GB Tape Drive QuickSpecs for additional options such as adapters, controllers, and media, and for an up-to-date listing of the latest O/S Support details, please see the following:

http://h18000.www1.hp.com/products/quickspecs/10772_div/10772_div.HTML (Worldwide)
http://h18000.www1.hp.com/products/quickspecs/10772_na/10772_na.HTML (North America)

HP StorageWorks SDLT 160/320, External NA (carbon)	257319-001
HP StorageWorks SDLT 160/320, External WW (carbon)	257319-B31
HP StorageWorks SDLT 160/320, External Japan (carbon)	257319-291

NOTE: Please see the SDLT 160/320-GB Tape Drive QuickSpecs for additional options such as adapters, controllers, and media, and for an up-to-date listing of the latest O/S Support details, please see the following:

http://h18006.www1.hp.com/products/quickspecs/10406_div/10406_div.html (Worldwide)
http://h18006.www1.hp.com/products/quickspecs/10406_na/10406_na.html
 (North America)

External SuperLoader

DLT1 1280 SuperLoader	268664-B21
-----------------------	------------

NOTE: Please see the StorageWorks DLT1 1280 SuperLoader QuickSpecs for additional options and for an up-to-date listing of the latest O/S Support details, please see the following:

http://h18006.www1.hp.com/products/quickspecs/11330_div/11330_div.html (Worldwide)
http://h18006.www1.hp.com/products/quickspecs/11330_na/11330_na.html
 (North America)

External LTO Ultrium Tape Drives

HP StorageWorks Ultrium 230 Tape Drive, External (Carbon) NA	Q1516A
HP StorageWorks Ultrium 230 Tape Drive, External (Carbon) Int'l	Q1517A

NOTE: Please see the HP StorageWorks Ultrium Tape Drive QuickSpecs for additional options such as controllers, and other related items, and for an up-to-date listing of the latest O/S Support details, please see the following:

http://h18006.www1.hp.com/products/quickspecs/11415_div/11415_div.html (Worldwide)
http://h18006.www1.hp.com/products/quickspecs/11415_na/11415_na.html
 (North America)

HP StorageWorks Ultrium 460 Tape Drive for ProLiant, External (Carbon) NA	Q1519A
HP StorageWorks Ultrium 460 Tape Drive for ProLiant, External (Carbon) Int'l	Q1520A

NOTE: Please see the HP StorageWorks Ultrium 460 Tape Drives for ProLiant QuickSpecs for additional options such as data and cleaning cartridges, and for an up-to-date listing of the latest O/S Support details, please see the following:

http://h18006.www1.hp.com/products/quickspecs/11530_div/11530_div.html (Worldwide)
http://h18006.www1.hp.com/products/quickspecs/11530_na/11530_na.html
 (North America)

Options

External DAT Autoloader

20/40-GB DAT 8 Cassette Autoloader External (Opal)	166505-001
20/40-GB DAT 8 Cassette Autoloader External (Opal) (Int'l)	166505-B31
20/40-GB DAT 8 Cassette Autoloader External (Opal) (Japan)	166505-291

NOTE: Please see the 20/40-GB DAT DDS-4 8 Cassette Autoloader QuickSpecs for additional options such as adapters, controllers, and cassettes, and for an up-to-date listing of the latest O/S Support details, please see the following:

http://h18000.www1.hp.com/products/quickspecs/10518_div/10518_div.HTML (Worldwide)
http://h18000.www1.hp.com/products/quickspecs/10518_na/10518_na.HTML (North America)

AIT Autoloader

HP StorageWorks AIT 35 GB Autoloader, Rackmount (Carbon) (NA)	280349-001
HP StorageWorks AIT 35 GB Autoloader, Rackmount (Carbon) (Int'l)	280349-B31

NOTE: Please see the AIT 35-GB Autoloader QuickSpecs for additional options such as adapters, controllers, and cassettes, and for an up-to-date listing of the latest O/S Support details, please see the following:

http://h18000.www1.hp.com/products/quickspecs/11404_div/11404_div.HTML (Worldwide)
http://h18000.www1.hp.com/products/quickspecs/11404_na/11404_na.HTML (North America)

HP StorageWorks 1/8 Autoloader

HP StorageWorks 1/8 Autoloader, Tabletop, Ultrium 230	C9572CB
HP StorageWorks 1/8 Autoloader, Tabletop, DLT VS80	C9264CB
HP StorageWorks 1/8 Autoloader, Rackmount kit	C9266R

NOTE: Please see the HP StorageWorks 1/8 Autoloader QuickSpecs for additional accessories and for an up-to-date listing of the latest O/S Support details, please see the following:

<http://h18000.www1.hp.com/products/quickspecs/Division/10809.html> (Worldwide)
http://h18000.www1.hp.com/products/quickspecs/North_America/10809.html (North America)

SSL1016 tape autoloader

SSL1016 DLT1 tape autoloader (includes two 8-cartridge magazines and a barcode reader)	330815-B21
--	------------

NOTE: Please see the SSL1016 DLT1 tape autoloader Quick Specs for additional information:

http://h18000.www1.hp.com/products/quickspecs/11626_div/11626_div.HTML (Worldwide)
http://h18000.www1.hp.com/products/quickspecs/11626_na/11626_na.HTML (North America)

SSL1016 SDLT160/320 tape autoloader (includes 2 8-cartridge magazines and a barcode reader)	330816-B21
---	------------

NOTE: Please see the SSL1016 SDLT160/320 tape autoloader Quick Specs for additional information:

http://h18000.www1.hp.com/products/quickspecs/11609_div/11609_div.HTML (Worldwide)
http://h18000.www1.hp.com/products/quickspecs/11609_na/11609_na.HTML (North America)

Rackmount Tape Drive Kits

3U Rackmount Kit	274338-B21
------------------	------------

NOTE: The 3U Rackmount Kit (PN 274338-B21) can support up to (2) full-height or (4) half-height tape drives and compatible with multiple internal Single-Ended and LVD SCSI Tape Drives including the 12/24-GB DAT, 20/40-GB DAT, 20/40-GB DAT DDS-4 8 Cassette Autoloader, AIT 35-GB LVD, AIT 50 GB, AIT 100 GB, 20/40-GB DLT, 40/80-GB DLT, SDLT 110/220-GB, SDLT 160/320-GB, Ultrium 230, and Ultrium 460 Tape Drives.

5U Rackmount Kit	274339-B21
------------------	------------

NOTE: The 5U Rackmount Kit (PN 274339-B21) can support up to (4) full-height tape drives and is compatible with all HP internal DLT/SDLT/Ultrium tape drives including the 20/40-GB DLT, 35/70-GB DLT, 40/80-GB DLT, SDLT 110/220-GB, SDLT 160/320, Ultrium 230, and Ultrium 460 tape drives.

NOTE: Please see the Rackmount Tape Drive Kits QuickSpecs for additional information regarding these kits, please see the following:

http://h18006.www1.hp.com/products/quickspecs/10854_div/10854_div.html (Worldwide)
http://h18006.www1.hp.com/products/quickspecs/10854_na/10854_na.html (North America)

Options

Rackmount Tape Drive Cable Kits

LVD Cable Kit, VHDCI/HD68 168048-B21

NOTE: For use with the 3U RM Storage Enclosure and DLT Tape Array III only.

LVD Cable Kit, HD68/HD68 242381-B21

NOTE: For use with the 3U RM Storage Enclosure and DLT Tape Array III only.

Tape Automation

Entry Level Tape Libraries

SSL2020 Automated AIT Library

SSL2020 AIT Mini-Library 1 drive, 20 slot Rackmount 175196-B21

SSL2020 AIT Mini-Library 2 drive, 20 slot Rackmount 175196-B22

SSL2020 AIT Library Pass Thru with Transport 175312-B21

SSL2020 AIT Library Pass Thru Extender 175312-B22

AIT 50-GB Drive Add-On LVD Drive for SSL2020 AIT Library 175197-B21

Required Adapters/Controllers for SSL2020 AIT Library

64-Bit/66-MHz Dual Channel Wide Ultra3 SCSI Adapter 129803-B21

SAN Access Module for Smart Array 5302 Controller 216687-B21

SAN Access Module for Smart Array 5302 Controller (Japan) 216687-291

NOTE: Please see the SSL2020 Automated AIT Tape Library Solution QuickSpecs for additional information including Upgrade Kits, Accessories, and SCSI Cable Kits and additional options needed for a complete solution at:

http://h18000.www1.hp.com/products/quickspecs/10580_na/10580_na.HTML

(North America) http://h18000.www1.hp.com/products/quickspecs/10580_div/10580_div.HTML

(Worldwide)

MSL5000 Libraries

Mainstream Tape Library

MSL5026DLX DLT Library

MSL5026DLX, 1 40/80-GB DLT, LVD Rackmount 231891-B21

MSL5026DLX, 2 40/80-GB DLT, LVD Rackmount 231891-B22

MSL5026SL SDLT Library

NOTE: Please see the StorageWorks MSL5026DLX or MSL5026SL Library QuickSpecs for additional information including Upgrade Kits, Accessories, and SCSI Cable Kits and additional options needed for a complete solution at:

http://h18000.www1.hp.com/products/quickspecs/10860_na/10860_na.HTML

(North America)

http://h18000.www1.hp.com/products/quickspecs/10860_div/10860_div.HTML (Worldwide)

MSL5026SL, Tabletop, 1 SDLT Drive (Graphite) 302511-B21

MSL5026SL, Tabletop, 2 SDLT Drives (Graphite) 302511-B22

MSL5026SL, Rackmount, 1 SDLT Drive (Graphite) 302512-B21

MSL5026SL, Rackmount, 2 SDLT Drive (Graphite) 302512-B22

NOTE: Please see the StorageWorks MSL5026SL Library QuickSpecs for additional information including Upgrade Kits, Accessories, and SCSI Cable Kits and additional options needed for a complete solution at:

http://h18000.www1.hp.com/products/quickspecs/11440_na/11440_na.HTML

(North America) http://h18000.www1.hp.com/products/quickspecs/11440_div/11440_div.HTML

(Worldwide)

Options

MSL5026S2 SDLT Library

MSL5026S2, Rackmount, 0 Drive Library	293472-B21
MSL5026S2, Rackmount, 1 Drive, SDLT2 Library	293472-B22
MSL5026S2, Rackmount, 2 Drives, SDLT2 Library	293472-B23
MSL5026S2FC, Rackmount, 1 Drive, SDLT2 Library	293472-B24
MSL5026S2FC, Rackmount, 2 Drives, SDLT2 Library	293472-B25
MSL5026S2, Tabletop, 1 Drive, SDLT2 Library	293473-B21
MSL5026S2, Tabletop, 2 Drives, SDLT2 Library	293473-B22

NOTE: Please see the StorageWorks MSL5026S2 Library QuickSpecs for additional information including Upgrade Kits, Accessories, and SCSI Cable Kits and additional options needed for a complete solution at:

http://h18000.www1.hp.com/products/quickspecs/11453_na/11453_na.HTML
(North America)

http://h18000.www1.hp.com/products/quickspecs/11453_div/11453_div.HTML (Worldwide)

Departmental Tape Library

MSL5052SL SDLT Library

MSL5052, Rackmount, 0 Drive, SDLT ALL	255102-B21
MSL50502SL, SDLT, 110/220, 2 Drives, LVD, Rackmount	249491-B21

NOTE: Please see the StorageWorks MSL5052SL Library QuickSpecs for additional information including Upgrade Kits, Accessories, and SCSI Cable Kits and additional options needed for a complete solution at:

http://h18000.www1.hp.com/products/quickspecs/11061_na/11061_na.HTML
(North America)

http://h18000.www1.hp.com/products/quickspecs/11061_div/11061_div.HTML (Worldwide)

MSL5052S2 SDLT Library

MSL5052S2, Tabletop, 2 Drives, SDLT2 Library	293476-B21
MSL5052S2, Rackmount, 2 Drives, SDLT2 Library	293474-B21
MSL5052S2FC, Rackmount, 2 Drives, SDLT2 Library	293474-B24

NOTE: Please see the StorageWorks MSL5052S2 Library QuickSpecs for additional information including Upgrade Kits, Accessories, and SCSI Cable Kits and additional options needed for a complete solution at:

http://h18000.www1.hp.com/products/quickspecs/11442_na/11442_na.HTML
(North America)

http://h18000.www1.hp.com/products/quickspecs/11442_div/11442_div.HTML (Worldwide)

MSL5030 LTO Library

MSL5030L1, Rackmount, 0 Drive Library	301897-B21
MSL5030L1, Rackmount, 1 Drive, LTO1 Library	301897-B22
MSL5030L1, Rackmount, 2 Drives, LTO1 Library	301897-B23
MSL5030L1FC, Rackmount, 1 Drive, LTO1 Library	301897-B24
MSL5030L1FC, Rackmount, 2 Drives, LTO1 Library	301897-B25
MSL5030L1, Tabletop, 1 Drive, LTO1 Library	301898-B21
MSL5030L1, Tabletop, 2 Drives, LTO1 Library	301898-B22

NOTE: Please see the StorageWorks MSL5030 LTO Library QuickSpecs for additional information including Upgrade Kits, Accessories, and SCSI Cable Kits and additional options needed for a complete solution at:

http://h18000.www1.hp.com/products/quickspecs/11439_na/11439_na.HTML
(North America)

http://h18000.www1.hp.com/products/quickspecs/11439_div/11439_div.HTML (Worldwide)

Options

MSL5060 LTO Library

MSL5060L1, Rackmount, 0 Drive Library	301899-B21
MSL5060L1, Rackmount, 2 Drives, LTO1 Library	301899-B22
MSL5060L1FC, Rackmount, 2 Drives, LTO1 Library	301899-B23
MSL5060L1, Tabletop, 2 Drives, LTO1 Library	301900-B21

NOTE: Please see the StorageWorks MSL5060 LTO Library QuickSpecs for additional information including Upgrade Kits, Accessories, and SCSI Cable Kits and additional options needed for a complete solution at:

http://h18000.www1.hp.com/products/quickspecs/11438_na/11438_na.HTML
(North America)

http://h18000.www1.hp.com/products/quickspecs/11438_div/11438_div.HTML (Worldwide)

MSL5000 series Libraries Options

MSL5K Field Upgrade SDLT 110/220 Drive, LVD	231823-B22
MSL5000 SDLT2 Upgrade Drive	293475-B21
MSL5000 LTO1 Upgrade Drive	301901-B21
MSL5000 Dual Magazine LTO	301902-B21
MSL5000 Dual Magazine DLT	232136-B21

Required Adapters for MSL5000 series Libraries

64-Bit/66MHz Dual Channel Wide Ultra3 SCSI Adapter	129803-B21
--	------------

MSL6000 Libraries

MSL6030 LTO Library

MSL6030, Rackmount, 0 Drive Library	330731-B21
MSL6030, Rackmount, 1 Drive, LTO2 Library	330731-B22
MSL6030, Rackmount, 2 Drive, LTO2 Library	330731-B23
MSL6030, Rackmount, embedded Fibre, 1 Drive, LTO2 Library	330731-B24
MSL6030, Rackmount, embedded Fibre, 2 Drive, LTO2 Library	330731-B25
MSL6030, Tabletop, 1 Drive, LTO2 Library	330788-B21
MSL6030, Tabletop, 2 Drive, LTO2 Library	330788-B22

NOTE: Please see the StorageWorks MSL6030 LTO Library QuickSpecs for additional information including Upgrade Kits, Accessories, and SCSI Cable Kits and additional options needed for a complete solution at:

http://h18000.www1.hp.com/products/quickspecs/11625_na/11625_na.HTML (North America)

http://h18000.www1.hp.com/products/quickspecs/11625_div/11625_div.HTML (Worldwide)

MSL6060 LTO Library

MSL6060, Rackmount, 0 Drive Library	331196-B23
MSL6060, Rackmount, 2 Drive, LTO2 Library	331196-B21
MSL6060, Rackmount, embedded Fibre, 2 Drive, LTO2 Library	331196-B22
MSL6060, Tabletop, 2 Drive, LTO2 Library	331195-B21

NOTE: Please see the StorageWorks MSL6060 LTO Library QuickSpecs for additional information including Upgrade Kits, Accessories, and SCSI Cable Kits and additional options needed for a complete solution at:

http://h18000.www1.hp.com/products/quickspecs/11608_na/11608_na.HTML (North America)

http://h18000.www1.hp.com/products/quickspecs/11608_div/11608_div.HTML (Worldwide)

MSL6000 series Libraries Options

MSL Ultrium 460 upgrade drive in hot plug canister	330729-B21
MSL Universal passthrough mechanism	304825-B21
MSL 10U passthrough extender	231824-B23

Options

Smart Array ClusterStorage	Smart Array Cluster Storage	201724-B21
	Smart Array Cluster Storage Redundant Controller Option Kit	218252-B21
	Smart Array 532 Controller	225338-B21
	Smart Array 532 Controller (Japan)	225338-291
	128-MB Cache Module for Smart Array 5302 Controller	153506-B21
	256-MB Battery Backed Cache Module	254786-B21
	4-Port Shared Storage Module with Smart Array Multipath Software for Smart Array Cluster Storage	292944-B21

NOTE: 128-MB Cache Module for Smart Array 5302 Controller (PN 153506-B21) is an upgrade cache module (128 MB Standard) for Smart Array Cluster Storage Controller.

NOTE: Please see the Compaq Smart Array Cluster Storage QuickSpecs for additional information including configuration steps and additional options needed for a complete solution at:

http://h18000.www1.hp.com/products/quickspecs/11050_na/11050_na.HTML (North America)

http://h18000.www1.hp.com/products/quickspecs/11050_div/11050_div.HTML (Worldwide)

External Storage	StorageWorks Enclosure Model 4314R (rack-mountable)	190209-001
	StorageWorks Enclosure Model 4314R (rack-mountable) (Int'l)	190209-B31
	StorageWorks Enclosure Model 4314R (rack-mountable) (Japan)	190209-291
	StorageWorks Enclosure Model 4354R (rack-mountable)	190211-001
	StorageWorks Enclosure Model 4354R (rack-mountable) (Int'l)	190211-B31
	StorageWorks Enclosure Model 4354R (rack-mountable) (Japan)	190211-291
	NOTE: The StorageWorks Enclosure 4300 Family supports the Wide Ultra3, Ultra320 1" Hot Plug Hard Drives.	
	StorageWorks Enclosure 4200 Redundant Power Supply Option	119826-B21
	StorageWorks Enclosure 4200 Ultra3 Single Bus I/O Module Option	190212-B21
	StorageWorks Enclosure 4200 Ultra3 Dual Bus I/O Module Option	190213-B21
StorageWorks Enclosure 4200 Tower to Rack Conversion Kit	150213-B21	

MSA1000	MSA1000	201723-B22
	MSA1000 Controller	218231-B22
	MSA Fibre Channel I/O Module	218960-B21
	MSA1000 Fabric Switch	218232-B21
	MSA1000 Fibre Channel Adapter (FCA) 2101	245299-B21
	HP StorageWorks msa hub 2/3	286763-B21

NOTE: Please see the StorageWorks Modular SAN Array 1000 QuickSpecs for additional options and configuration information at:

http://h18000.www1.hp.com/products/quickspecs/11033_na/11033_na.HTML (North America)

http://h18000.www1.hp.com/products/quickspecs/11033_div/11033_div.HTML (Worldwide)

Options

StorageWorks Modular Array 8000/Enterprise Modular Array 12000	EMA12000 D14 60Hz	175990-B21
	EMA12000 D14 50Hz	175990-B22
	EMA12000 S14 60Hz	175991-B21
	EMA12000 S14 50Hz	175991-B22
	MA8000 60Hz	175992-B21
	MA8000 50Hz	175992-B22
	EMA12000 Blue 60Hz	175993-B21
	EMA12000 Blue 50Hz	175993-B22

NOTE: Options include controller, solution kits, ACS. MA8000/EMA12000 includes controller shelf, drive shelves, and cabinet. Packaging upgrade to RA8000/ESA12000.

NOTE: Please see the StorageWorks MA8000/EMA12000 QuickSpecs for FC Hubs, FC switches, platform software, host adapters, disks and options for complete solutions at:

http://h18000.www1.hp.com/products/quickspecs/10545_na/10545_na.HTML (North America)

http://h18000.www1.hp.com/products/quickspecs/10545_div/10545_div.HTML (Worldwide)

StorageWorks Enterprise Modular Array 16000 FC	EMA16000 D14 50Hz (opal)	238792-B22
	EMA16000 D14 60Hz (opal)	238792-B21
	EMA16000 S14 50Hz (opal)	238791-B22
	EMA16000 S14 60Hz (opal)	238791-B21

NOTE: Models include: Dual HSG80 controllers in each Model 2200 enclosure (2 pairs per single bus configuration, 4 pairs per dual bus configuration) with 1GB cache per controller pair, and 12 14-bay drive enclosures with redundant power supplies. Configure-to-Order (CTO) builds are available. Options include ACS, platform kits and software by HP.

NOTE: Please see the StorageWorks EMA16000 QuickSpecs for FC switches, platform software, host adapters, disks and options for complete solutions at:

http://h18000.www1.hp.com/products/quickspecs/10812_na/10812_na.HTML (North America)

http://h18000.www1.hp.com/products/quickspecs/10812_div/10812_div.HTML (Worldwide)

StorageWorks Options	StorageWorks SAN Switch 2/8-EL	322120-B21
	StorageWorks SAN Switch 2/8-EL Upgrade	325888-B21
	StorageWorks SAN Switch 2/16	322118-B21
	StorageWorks SAN Switch 2/16-EL Upgrade	288250-B21

Options

Cluster Options

ProLiant Cluster HA/F100 for MSA1000 v2	252408-B22
ProLiant Cluster HA/F100 for MSA1000 v2 (Japan)	252408-292
ProLiant Cluster HA/F200 for MSA1000 v2	252409-B22
ProLiant Cluster HA/F200 for MSA1000 v2 (Japan)	252409-292
NOTE: For additional information regarding the Compaq ProLiant Cluster for HA/F100, HA/F200 for MSA1000 please see the following QuickSpecs at: http://h18000.www1.hp.com/products/quickspecs/11035_na/11035_na.html (North America) http://h18000.www1.hp.com/products/quickspecs/11035_div/11035_div.html (Worldwide)	
Compaq ProLiant Cluster HA/F100 for Windows NT and 2000 Advanced Server	309816-B21
Compaq ProLiant Cluster HA/F200 Upgrade Kit (NT 4.0EE to W2K AS)	176848-B22
Compaq ProLiant Cluster HA/F200 for Windows NT and 2000 Advanced Server	380357-B23
Compaq ProLiant Cluster HA/F200 for Windows NT and 2000 Advanced Server (Japan)	380357-293
NOTE: For additional information regarding the Compaq ProLiant Cluster for HA/F100, HA/F200 for Windows NT and 2000 Advanced Server please see the following QuickSpecs at: http://h18000.www1.hp.com/products/quickspecs/10777_na/10777_na.html (North America) http://h18000.www1.hp.com/products/quickspecs/10777_div/10777_div.html (Worldwide)	
ProLiant Cluster HA/F500 Basic Kit for MA8000/EMA16000	103250-B25
ProLiant Cluster HA/F500 Enhanced Kit for MA8000/EMA16000	379937-B25
ProLiant Cluster HA/F500 Enhanced DT Kit for MA8000/EMA16000	164227-B23
NOTE: For additional information regarding the Compaq ProLiant Cluster for HA/F500 please see the following QuickSpecs at: http://h18000.www1.hp.com/products/quickspecs/10232_na/10232_na.html (North America) http://h18000.www1.hp.com/products/quickspecs/10232_div/10232_div.html (Worldwide)	
ProLiant Cluster HA/F500 Basic Kit for MA8000/EMA16000	103250-B25
NOTE: For additional information regarding the Compaq ProLiant Cluster HA/F500 for Enterprise Virtual Array please see the following QuickSpecs at: http://h18000.www1.hp.com/products/quickspecs/11055_na/11055_na.html (North America) http://h18000.www1.hp.com/products/quickspecs/11055_div/11055_div.html (Worldwide)	
ProLiant Cluster HA/L100 – LifeKeeper for Linux	303523-B22
NOTE: For additional information regarding the ProLiant Cluster HA/L100 LifeKeeper for Linux, please see the following QuickSpecs at: http://h18000.www1.hp.com/products/quickspecs/11533_na/11533_na.html (North America) http://h18000.www1.hp.com/products/quickspecs/11533_div/11533_div.html (Worldwide)	

UPS and PDU Power Cord Matrix

Please see the UPS and PDU cable matrix that lists cable descriptions, requirements, and specifications for UPS and PDU units:

<ftp://ftp.compaq.com/pub/products/servers/ProLiantstorage/power-protection/powercordmatrix.pdf>.

NOTE: This Web site is available in English only.

Options

Uninterruptible Power Systems – Rack Mountable	Compaq UPS R1500 XR (1440VA, 1340 Watt), Low Voltage (NA)	204404-001
	Compaq UPS R1500 XR (1500VA, 1340 Watt), High Voltage (Int'l)	204404-B31
	Compaq UPS R1500 XR (1500VA, 1340 Watt), Low Voltage (Japan)	204404-291
	Compaq UPS R3000 XR (2880VA, 2700 Watt), Low Voltage (NA)	192186-001
	Compaq UPS R3000 XR (3000VA, 2700 Watt), High Voltage (NA)	192186-002
	Compaq UPS R3000 XR (2400VA, 2250 Watt), Low Voltage (Japan)	192186-291
	Compaq UPS R3000 XR (3000VA, 2700 Watt), High Voltage (Japan)	192186-292
	Compaq UPS R3000 XR (3000VA, 2700 Watt), High Voltage (Int'l - detachable cord)	192186-B31
	Compaq UPS R3000 XR (3000VA, 2700 Watt), High Voltage (16A IEC309 Plug)	192186-B32
	Compaq UPS R3000 XR (3000VA, 2700 Watt), High Voltage (16A CEE 7/7 SCHUKO Plug)	192186-B33
	Compaq UPS R3000 XR (3000VA, 2700 Watt), High Voltage (16A BS-546 Plug)	192186-AR1
	Rack-Mountable UPS R6000 (6000VA, 6000 Watt) High Voltage (NA)	347207-001
	NOTE: The UPS R6000 has a hardwired input.	
	Rack-Mountable UPS R6000 (6000VA, 6000 Watt) High Voltage (Int'l)	347207-B31
	NOTE: The UPS R6000 has a hardwired input.	
	Rack-Mountable UPS R6000 (6000VA, 6000 Watt) High Voltage (Japan)	347207-291
	NOTE: The UPS R6000 has a hardwired input.	
UPS R12000 XR N+x (200-240V) (WW-hardwired)	207552-B22	
NOTE: The UPS R12000 XR has a hardwired input and output; requires a 100A circuit.		

UPS Options

SNMP Serial Port Card	192189-B21
NOTE: Supports tower and rack UPS XR models ranging from 1000 – 3000VA.	
Six Port Card	192185-B21
NOTE: Supports tower and rack UPS XR models ranging from 1000 – 3000VA.	
High to Low Voltage Transformer (250VA)	388643-B21
NOTE: Supports R6000 UPS series only. 2.5 amps @ 125 Volts max output across two NEMA 5-15.	
Extended Runtime Module, R1500 XR	218971-B21
NOTE: 2U each, two ERM maximum.	
Extended Runtime Module, R3000 XR	192188-B21
NOTE: 3U each, one ERM maximum.	
Extended Runtime Module, R6000	347224-B21
NOTE: 3U each, two ERM maximum.	
Extended Runtime Module, R12000 XR, 4U	217800-B21
NOTE: 4U each, two ERM maximum.	
R1200 XR Backplate Receptacle Kit, (2) L6-30R	325361-001
NOTE: The R12000 XR Backplate Kit has a hardwired input.	
R1200 XR Backplate Receptacle Kit, (2) IEC-309R	325361-B21
NOTE: The R12000 XR Backplate Kit has a hardwired input.	
SNMP-EN Adapter	347225-B21
NOTE: Supports R6000 UPS series only.	
Multi-Server UPS Card	123508-B21
NOTE: Supports R6000 UPS series only.	
Scalable UPS Card	123509-B21
NOTE: Supports R6000 UPS series only.	

Options

Modular PDUs 1U/0U (Up to 32 outlets) NOTE: 1U/0U mounting brackets shipped with the unit (optimized for 10000 and 9000 series racks).	HP Modular Power Distribution Units (mPDU), Low Volt Model, 24A (100-127 VAC) (NA, Japan)	252663-D71
	NOTE: This mPDU (252663-D71) may also be used to connect the low volt model of the UPS R3000 XR.	
	HP Modular Power Distribution Units (mPDU), High Volt Model, 24A (200-240 VAC) (NA, Japan)	252663-D72
	HP Modular Power Distribution Units (mPDU), High Volt Model, 32A (200-240 VAC) (Int'l)	252663-B31
	HP Modular Power Distribution Units (mPDU), High Volt Model, 40A (200-240 VAC) (WW) NOTE: This mPDU (252663-B21), 40A model has a hardwired input.	252663-B21
	HP Modular Power Distribution Units (mPDU), High Volt Model, 16A (200-240 VAC) (WW) NOTE: This PDU has a detachable input power cord and allows for adaptability to country specific power requirements. This model may also be used with the high volt UPSs R3000 XR and R6000 For North America, need to order cable PN 340653-001. NOTE: Please see the following Modular Power Distribution Unit (Zero-U/1U Modular PDUs) QuickSpecs for additional options including shorter jumper cables and country specific power cords: http://h18000.www1.hp.com/products/quickspecs/11041_na/11041_na.HTML (North America) http://h18000.www1.hp.com/products/quickspecs/11041_div/11041_div.HTML (Worldwide)	252663-B24
PDU Options	Third Party Modular PDU Mounting Kit	310777-B21
	NOTE: This kit allows you to mount the Modular PDUs in racks other than the 9000/10000 Series racks (any racks using the standard 19" rail). For more details please refer the Modular PDU QuickSpecs.	
	4.5' IEC C 13 to IEC C14 PDU Jumper Cable (1 per pack)	142257-006
	4.5' IEC C 13 to IEC C14 PDU Jumper Cable (15 per pack)	142257-007
Rack Builder	Please see the Rack Builder for configuration assistance at http://www8.compaq.com/RackBuilderOnline/pages/pg_main.html . NOTE: This Web site is available in English only.	
ProLiant DL360 G2 Deployment Options	DL360 G2 Sliding Rail Option Kit	233274-B21
	DL360 G2 Telco Rack Option Kit	251243-B21

Options

HP Rack 10000 Series (Graphite Metallic)	HP Rack S10614 (14U) Rack Cabinet – Shock Pallet	292302-B22
	HP Rack 10842 (42U, 800mm wide) – Pallet	257415-B21
	HP Rack 10842 (42U, 800mm wide) – Shock Pallet	257415-B22
	HP Rack 10647 (47U) – Pallet	245160-B21
	HP Rack 10647 (47U) – Crated	245160-B23
	HP Rack 10642 (42U) – Pallet	245161-B21
	HP Rack 10642 (42U) – Shock Pallet	245161-B22
	HP Rack 10642 (42U) – Crated	245161-B23
	HP Rack 10636 (36U) – Pallet	245162-B21
	HP Rack 10636 (36U) – Shock Pallet	245162-B22
	HP Rack 10636 (36U) – Crated	245162-B23
	HP Rack 10622 (22U) – Pallet	245163-B21
	HP Rack 10622 (22U) – Shock Pallet	245163-B22
	HP Rack 10622 (22U) – Crated	245163-B23

NOTE: -B21 (pallet) used to ship empty racks shipped on a truck

-B22 (shock pallet) used to ship racks with equipment installed (by custom systems, VARs and Channels)

-B23 (crated) used for air shipments of empty racks

NOTE: It is mandatory to use a shock pallet in order to ship racks with equipment installed. Not all Compaq equipment is qualified to be shipped in the Rack 10000 series

NOTE: Please see the Rack 10000 QuickSpecs for Technical Specifications such as height, width, depth, weight, and color:

http://h18000.www1.hp.com/products/quickspecs/10995_div/10995_div.HTML (Worldwide)

http://h18000.www1.hp.com/products/quickspecs/10995_na/10995_na.HTML

(North America)

NOTE: For additional information regarding Rack Cabinets, please see the following URL:

<http://h18000.www1.hp.com/products/servers/proliantstorage/racks/index.html>.

NOTE: This Web site is available in English only.

Compaq Rack 9000 Series (opal)	Compaq Rack 9142 (42U) – Shock Pallet	120663-B22
	Compaq Rack 9142 (42U) – Crated	120663-B23
	Compaq Rack 9122 (22U) – Pallet	120665-B21
	Compaq Rack 9122 (22U) – Shock Pallet	120665-B22
	Compaq Rack 9122 (22U) – Crated	120665-B23

NOTE: -B21 (pallet) used to ship empty racks shipped on a truck

-B22 (shock pallet) used to ship racks with equipment installed (by custom systems, VARs and Channels)

-B23 (crated) used for air shipments of empty racks

NOTE: Please see the Rack 9000 QuickSpecs for Technical Specifications such as height, width, depth, weight, and color:

http://h18000.www1.hp.com/products/quickspecs/10366_div/10366_div.HTML (Worldwide)

http://h18000.www1.hp.com/products/quickspecs/10366_na/10366_na.HTML

(North America)

NOTE: For additional information regarding Rack Cabinets, please see the following URL:

<http://h18000.www1.hp.com/products/servers/proliantstorage/racks/index.html>.

NOTE: This Web site is available in English only.

Options

<p>Rack Options for HP Rack 10000 Series</p>	<p>Rack Blanking Panels – Graphite (Multi) 253214-B26</p> <p>NOTE: Contains one each of 1U, 2U, 4U and 8U.</p> <p>Rack Blanking Panels – Graphite (1U) 253214-B21</p> <p>NOTE: The Rack Blanking Panels (PN 253214-B21) contains 10 each of (1U).</p> <p>Rack Blanking Panels – Graphite (2U) 253214-B22</p> <p>NOTE: The Rack Blanking Panels (PN 253214-B21) contains 10 each of (2U).</p> <p>Rack Blanking Panels – Graphite (3U) 253214-B23</p> <p>NOTE: The Rack Blanking Panels (PN 253214-B21) contains 10 each of (3U).</p> <p>Rack Blanking Panels – Graphite (4U) 253214-B24</p> <p>NOTE: The Rack Blanking Panels (PN 253214-B21) contains 10 each of (4U).</p> <p>Rack Blanking Panels – Graphite (5U) 253214-B25</p> <p>NOTE: The Rack Blanking Panels (PN 253214-B21) contains 10 each of (5U).</p> <p>800mm Wide Stabilizer Kit (Graphite) 255488-B21</p> <p>NOTE: Supported by the Rack 10842 cabinet only.</p> <p>600mm Stabilizer Kit – Graphite 246107-B21</p> <p>Baying Kit for Rack 10000 series (Carbon) 248929-B21</p> <p>42U Side Panel – Graphite Metallic 246099-B21</p> <p>110V Fan Kit (Graphite) 257413-B21</p> <p>NOTE: Roof Mount Includes power cord with IEC320-C13 to Nema 5-15P.</p> <p>220V Fan Kit (Graphite) 257414-B21</p> <p>NOTE: Roof Mount Includes power cord with IEC320-C13 to Nema 6-15P.</p> <p>36U Side Panel – Graphite Metallic 246102-B21</p> <p>47U Side Panel – Graphite Metallic 255486-B21</p> <p>9000/10000 Series Offset Baying Kit (42U) 248931-B21</p> <p>NOTE: This kit can be used to connect 9000 and 10000 series racks of the same U height together. Kit contents include hardware for connecting racks and a panel to cover the 100mm gap at the rear of the two racks.</p> <p>NOTE: For additional information regarding Rack Cabinets, please see the following URL: http://h18000.www1.hp.com/products/servers/proliantstorage/racks/index.html.</p> <p>NOTE: This Web site is available in English only.</p>
---	---

Options

Rack Options for	Baying/Coupling Kit	120669-B21
Compaq Rack 9000 Series	42U Side Panel	120670-B21
	NOTE: The 42U Side Panel (PN 120670-B21) supports the Compaq Rack 9142 and Compaq Rack 9842.	
	36U Side Panel	120671-B21
	NOTE: The 36U Side Panel (PN 120671-B21) supports the Compaq Rack 9136.	
	600-mm Stabilizer Option Kit	120673-B21
	800-mm Stabilizer Option Kit (Opal)	234493-B21
	NOTE: The 800-mm Stabilizer Kit (PN 234493-B21) supports the Rack 9842 only.	
	9142 Extension Kit	120679-B21
	NOTE: The 9142 Extension Kit (PN 120679-B21) supports the Compaq Rack 9142 only.	
	9142 Split Rear Door (Opal)	254045-B21
	NOTE: The Split Rear Door (PN 254045-B21) supports the 600 mm wide, 42U 9000 series rack.	
	9136 Extension Kit	218216-B21
	9142 Short Rear Door	218217-B21
	NOTE: The 9142 Short Rear Door (PN 218217-B21) supports the Compaq Rack 9142 only.	
	9136 Short Rear Door	218218-B21
	Rack Blanking Panel (Multi)	169940-B21
	NOTE: Kit includes four panels in 1U, 2U, 4U, and 8U.	
	Rack Blanking Panels (1U)	189453-B21
	NOTE: The Rack Blanking Panels (PN 189453-B21) contains 10 each of (1U).	
	Rack Blanking Panels (2U)	189453-B22
	NOTE: The Rack Blanking Panels (PN 189453-B22) contains 10 each of (2U).	
	Rack Blanking Panels (3U)	189453-B23
	NOTE: The Rack Blanking Panels (PN 189453-B23) contains 10 each of (3U).	
	Rack Blanking Panels (4U)	189453-B24
	NOTE: The Rack Blanking Panels (PN 189453-B24) contains 10 each of (4U).	
	Rack Blanking Panels (5U)	189453-B25
	NOTE: The Rack Blanking Panels (PN 189453-B25) contains 10 each of (5U).	
	9136 Extension Kit	218216-B21
	9000/10000 Series Offset Baying Kit (42U)	248931-B21
	NOTE: This kit can be used to connect 9000 and 10000 series racks of the same U height together. Kit contents include hardware for connecting racks and a panel to cover the 100-mm gap at the rear of the two racks.	
	NOTE: For additional information regarding Rack Cabinets, please see the following URL: http://h18000.www1.hp.com/products/servers/proliantstorage/racks/index.html .	
	NOTE: This Web site is available in English only.	

Rack Options for	High Air Flow Rack Door Insert for the 7122 Rack	157847-B21
Compaq Rack 7000 Series	High Air Flow Rack Door Insert for the 7142 Rack (single)	327281-B21
	High Air Flow Rack Door Insert for the 7142 Rack (6-pack)	327281-B22
	Compaq Networking Cable Management Kit	292407-B21
	Compaq Rack Extension Kit for 7142	154392-B21
	NOTE: For additional information regarding Rack Cabinets, please see the following URL: http://h18000.www1.hp.com/products/servers/proliantstorage/racks/index.html .	
	NOTE: This Web site is available in English only.	

Rack Options for Rack	Monitor Utility Shelf	303606-B21
7000, 9000 and 10000	Ballast Option Kit	120672-B21
Series	100-kg Sliding Shelf	234672-B21
	Rack Rail Adapter Kit (25" depth)	120675-B21
	Cable Management D-Rings Kit	168233-B21

Options

Monitor/Utility Shelf - Graphite	253449-B21
Depth Adjustable Fixed Rail	332558-B21
Console Management Controller (CMC) Option Kit	203039-B21
Console Management Controller (CMC) Sensors Option Kit	203039-B22
Console Management Controller (CMC) Locking Option Kit	203039-B23
Console Management Controller (CMC) Smoke Sensors Option Kit	203039-B24
Server Console Switch 1 x 2-port (100 to 230 VAC)	120206-001
Server Console Switch 1 x 2-port (100 to 230 VAC) (Int'l)	120206-B31
Server Console Switch 1 x 2-port (100 to 230 VAC) (Japan)	120206-291
Server Console Switch 1 x 4-port (100 to 230 VAC)	400336-001
Server Console Switch 1 x 4-port (100 to 230 VAC) (Int'l)	400336-B31
Server Console Switch 1 x 4-port (100 to 230 VAC) (Japan)	400336-291
Server Console Switch 1 x 8-port (100 to 230 VAC)	400337-001
Server Console Switch 1 x 8-port (100 to 230 VAC) (Int'l)	400337-B31
Server Console Switch 1 x 8-port (100 to 230 VAC) (Japan)	400337-291
Server Console Switch 2 x 8-port (100 to 230 VAC)	400338-001
Server Console Switch 2 x 8-port (100 to 230 VAC) (Int'l)	400338-B31
Server Console Switch 2 x 8-port (100 to 230 VAC) (Japan)	400338-291
Server Console Switch 2 x 8-port (48 VDC)	400542-B21
Server Console Switch 2 x 8-port (48 VDC)	400542-B21
IP Console Switch Box, 1x1x16	262585-B21
IP Console Switch Box, 3x1x16	262586-B21
IP Console Interface Adapter, 8 pack	262587-B21
IP Console Interface Adapter, 1 pack	262588-B21
IP Console Expansion Module	262589-B21
KVM 9 PIN Adapter (4 Pack)	149361-B21
CPU to Server Console Cable, 12'	110936-B21
CPU to Server Console Cable, 20'	110936-B22
CPU to Server Console Cable, 40'	110936-B23
CPU to Server Console Cable, 3'	110936-B24
CPU to Server Console Cable, 7'	110936-B25
CPU to Server Console Cable (Plenum Rated) 20'	149363-B21
CPU to Server Console Cable (Plenum Rated) 40'	149364-B21
IP CAT5 Cable 3', 4 pack	263474-B21
IP CAT5 Cable 6', 8 pack	263474-B22
IP CAT5 Cable 12', 8 pack	263474-B23
IP CAT5 Cable 20', 4 pack	263474-B24
Switch Box Connector Kit (115 V)	144007-001
Switch Box Connector Kit (230 V)	144007-002
Switch Box Connector Kit (high voltage) (Int'l)	144007-B33
1U Rack Keyboard & Drawer (Carbon)	257054-xx1

NOTE: The 1U Rack Keyboard & Drawer (PN 257054-xx1) is to be used with the Keyboards for Racks with Trackball (PN 158649-xxx).

Country Code Key (for 1U Rack Keyboard & Drawer (PN 257054-xx1))

Options

XX = 001	US	XX = 091	Norway	
XX = 031	UK	XX = 101	Sweden/Finland	
XX = 041	Germany	XX = 111	Switzerland	
XX = 051	France	XX = 131	Portugal	
XX = 061	Italy	XX = 181	Belgium	
XX = 071	Spain	XX = 291	Japan	
XX = 081	Denmark	XX = B31	International	
TFT5600 Rack Keyboard Monitor				221546-xx1
Country Code Key (for TFT5600RKM 221546-xx1)				
XX = 001	US	XX = 091	Norway	
XX = 031	UK	XX = 101	Sweden/Finland	
XX = 041	Germany	XX = 111	Switzerland	
XX = 051	France	XX = 131	Portugal	
XX = 061	Italy	XX = 181	Belgium	
XX = 071	Spain	XX = 291	Japan	
XX = 081	Denmark	XX = B31	International	
Input Device Adjustable Rails				287139-B21
NOTE: Input Device Adjustable Rails (287139-B21) are for use ONLY with the TFT5110R, TFT5600RKM and integrated keyboard/drawer which is used in mounting into third party racks.				
Input Device Telco Rail				287138-B21
NOTE: Input Device Telco Rails (287138-B21) are for use ONLY with the TFT5110R, TFT5600RKM and integrated keyboard/drawer which is used in mounting into third party racks.				
Keyboard/Monitor/Mouse extension cables				169989-001
NOTE: For additional information regarding Rack Cabinets, please see the following URL: http://h18000.www1.hp.com/products/servers/proliantstorage/racks/index.html .				
NOTE: This Web site is available in English only.				

Power Cords

NOTE: The Compaq ProLiant DL360 G2 ships with an IEC-IEC power cord used for rack mounting with Power Distribution Units (PDUs). For stand-alone deployments or installation without a rack, country-specific power cord options are available. U.S. & Japan models will ship with two power cords: IEC-IEC (142257-002) and North American C13-Nema 5-15P (103541-001) cords.				
Power Cord, Euro, 10A 250 V Straight (12 ft/3.7 m)				157215-021
Power Cord, UK, 10A 250 V Straight (12 ft/3.7 m)				157216-031
Power Cord, Danish, 10A 250 V Straight (12 ft/3.7 m)				157218-081
Power Cord, Swiss, 10A 250 V Straight (12 ft/3.7 m)				157219-111
Power Cord, Italian, 10A 250 V Straight (12 ft/3.7 m)				157217-061
Power Cord, South Africa, 10A 250 V Straight (12 ft/3.7 m)				157220-AR1

Service and Support Offerings

(HP Care Pack Services)

Hardware Services 4-Hour On-site Service

5 x 9 Coverage, 3 Years (6-3 Part Number for U.S.)	162676-002
5 x 9 Coverage, 3 Years (6-3 Part Number for Canada)	162676-122
5 x 9 Coverage, 3 Years (6-3 Part Number for EMEA)	324416-002
7 x 24 Coverage, 3 Years (6-3 Part Number for U.S.)	162675-002
7 x 24 Coverage, 3 Years (6-3 Part Number for Canada)	162675-122
7 x 24 Coverage, 3 Years (6-3 Part Number for EMEA)	376910-022

Installation & Start-up Services

Hardware Installation (6-3 Part Number for U.S.)	401791-002
Hardware Installation (6-3 Part Number for Canada)	401791-122

Options

	Quote
Hardware Installation (6-3 Part Number for EMEA)	204563-022
Server Installation and Set-Up (Installation of the server, installation of the appropriate service tools, check to ensure device SW and firmware is loaded and installation of the operating system software (6-3 Part Number for EMEA)	240013-002
Pre-installation planning; unpack equipment, install most current Compaq HW options internal to server at same time of server installation; assemble & test; basic user information provided; Install & configure basic functionality of Win NT Operating System plus up to 1 day start-up activity, configure print & network access services, and orientation (6-3 Part Number for U.S.)	240008-002
Pre-installation planning; unpack equipment, install most current Compaq HW options internal to server at same time of server installation; assemble & test; basic user information provided; Install & configure basic functionality of Novell NetWare Operating System plus up to 1 day start-up activity, configure print & network access services, and orientation (6-3 Part Number for U.S.)	
HP Care Pack Priority Services for ProLiant Servers – Priority Level	
9 x 5 HW, 4-hr response, Next Available HW engineer; 9 x 5 Bronze Software Support 2-hr response for Windows NT, Windows 2000, Professional, Server or Advanced Server Operating System, Next Available Specialist (6-3 Part Number for U.S.)	239928-002
9 x 5 HW, 4-hr response, Next Available HW engineer; 9 x 5 Bronze Software Support 2-hr response for Novell NetWare Operating System, Next Available Specialist (6-3 Part Number for U.S.)	239968-002
5 x 9 4-hour H/W, 5 x 9 2-hour O/S (NT & NetWare), Three Years (2-5-2 Part Number for Canada)	FP-CZ101-36
5 x 9 4-hour H/W, 5 x 9 2-hour O/S (NT & NetWare), Three Years (2-5-2 Part Number for Canada)	FP-CZ101-36
5 x 9 4-hour H/W, 5 x 9 2-hour O/S (NT & NetWare), Three Years (6-3 Part Number for Canada)	155323-122
5 x 9 4-hour H/W, 5 x 9 2-hour O/S (NT & NetWare), Three Years (6-3 Part Number for EMEA)	179834-022
HP Care Pack Priority Services for ProLiant Servers – Priority 24 Level	
24 x 7 HW, 4-hr response, Named HW engineer; 24 x 7 Bronze Software Support, 2-hr response for Windows NT, Windows 2000, Professional, Server or Advanced Server Operating System, Next Available Specialist (6-3 Part Number for U.S.)	239930-002
24 x 7 HW, 4-hr response, Named HW engineer; 24 x 7 Bronze Software Support, 2-hr response for Novell NetWare Operating System, Next Available Specialist (6-3 Part Number for U.S.)	239970-002
7 x 24 4-hour H/W, 7 x 24 2-hour O/S (NT & NetWare), Three years (6-3 Part Number for EMEA)	179839-022
HP Care Pack Priority Services for ProLiant Servers – Priority Plus Level	
7 x 24 4-hour H/W, 7 x 24 1-hour O/S (NT & NetWare), SPS account review, Three Years (6-3 Part Number for Canada)	155331-122
CarePaaS Priority Services for ProLiant Servers – Priority Silver	
24 x 7 HW, 4-hr response, Named HW engineer; 24 x 7 Silver Software Support, 1-hr response, Monday – Friday, 8AM – 5PM local time, 2-hr response after hours for Windows NT, Windows 2000, Professional, Server or Advanced Server Operating System, Technical Account Manager, Technical Newsletter, SW activity review, proactive patch notification, 1 System Healthcheck per year (6-3 Part Number for U.S.)	239932-002
24 x 7 HW, 4-hr response, Named HW engineer; 24 x 7 Silver Subsequent System Support for Windows NT, Windows 2000, Professional, Server or Advanced Server Operating System (6-3 Part Number for U.S.)	239934-002
24 x 7 HW, 4-hr response, Named HW engineer; 24 x 7 Silver Software Support, 1-hr response, Monday – Friday, 8AM – 5PM local time, 2-hr response after hours for Novell NetWare Operating System, Technical Account Manager, Technical Newsletter, SW activity review (6-3 Part Number for U.S.)	239972-002
24 x 7 HW, 4-hr response, Named HW engineer; 24 x 7 Silver Software Support, 1-hr response, Monday – Friday, 8AM – 5PM local time, 2-hr response after hours for Novell NetWare Operating System, Technical Account Manager, Technical Newsletter, SW activity review (6-3 Part Number for U.S.)	239972-002
24 x 7 HW, 4-hr response, Named HW engineer; 24 x 7 Silver Subsequent System Support for Novell NetWare Operating System (6-3 Part Number for U.S.)	239974-002
HP Care Pack Priority Services for ProLiant Servers – Priority Premier Level	
7 x 24 2-hour H/W, 7 x 24 1-hour O/S (NT & NetWare), SPS Account Review, Proactive Management Review, named S/w rep, Three Years (6-3 Part Number for Canada)	155335-122
HP Care Pack Priority Services for ProLiant Servers – Priority Executive Premier Level	

Options

7 x 24 2-hour H/W, 7 x 24 30-minutes O/S (NT & NetWare), SPS Account Review, Proactive Management Review, named S/w rep, Three Years (6-3 Part Number for Canada)

155339-122

NOTE: For more information, customer/resellers can contact <http://www.hp.com/hps/>.

Memory

Compaq ProLiant DL360 G2 All Models

Standard Memory

256-MB PC133-MHz Registered ECC SDRAM DIMM installed (2 x 128-MB SDRAM DIMM)

Standard Memory Plus Optional Memory

Up to 2304-MB memory is available with the optional installation of PC133-MHz Registered ECC SDRAM DIMM memory kits.

Standard Memory Replaced with Optional Memory

Up to 4096-MB of memory is available with the removal of the standard 256-MB of memory and the optional installation of PC133-MHz Registered ECC SDRAM DIMM memory kits.

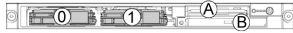
NOTE: Chart does not represent all possible configurations.

Memory		Slot			
		1	2	3	4
Standard	256 MB	128 MB	128 MB	Empty	Empty
Optional	2304 MB	128 MB	128 MB	1024 MB	1024 MB
Maximum	4096 MB	1024 MB	1024 MB	1024 MB	1024 MB

Following are memory options available from Compaq:

- 2048-MB (PC133-MHz) Registered ECC SDRAM DIMM Memory Option Kit (2 x 1024 MB) 201695-B21
- 1024-MB (PC133-MHz) Registered ECC SDRAM DIMM Memory Option Kit (2 x 512 MB) 201694-B21
- 512-MB (PC133-MHz) Registered ECC SDRAM DIMM Memory Option Kit (2 x 256 MB) 201693-B21
- 256-MB (PC133-MHz) Registered ECC SDRAM DIMM Memory Option Kit (2 x 128 MB) 201692-B21

Storage



0,1	2 x 1 Inch Wide Ultra2/Ultra3 SCSI Hot Pluggable Hard Drive Bays
A	1.44-MB Diskette Drive (fixed)
B	Low-Profile 24x IDE CD-ROM (ejectable)

Drive Support

	Quantity Supported	Position Supported	Controller
Removable Media			
1.44-MB Diskette Drive	Up to 1	A	Integrated
Low-profile 24x IDE CD-ROM Drive	Up to 1	B	Integrated IDE
Slim Line DVD-Rom Drive (8x/24x) Option Kit (Servers)	Up to 1	B	Integrated IDE

Hard Drives

Ultra320 Hot Pluggable Drives

	Quantity Supported	Position Supported	Controller
1-inch	Up to 4	0-1	
146.8-GB 10,000 rpm			Smart Array 5i Controller (integrated on system board)
72.8-GB 10,000 rpm			NOTE: The ProLiant DL360 Generation 2 (G2) does not offer an external SCSI port.
36.4-GB 10,000 rpm			64-bit/66-MHz Single Channel Wide Ultra3 SCSI
72.8-GB 15,000 rpm			64-bit/66-MHz Dual Channel Wide Ultra3 SCSI Adapter
36.4-GB 15,000 rpm			64-Bit/133-MHz Dual Channel Ultra320 SCSI Adapter
18.2-GB 15,000 rpm			

NOTE: All U320 Universal Hard Drives are backward compatible to U2 or U3 speeds. U320 drives require an optional U320 Smart Array Controller or U320 SCSI HBA to support U320 transfer rates.

External Storage

	Quantity Supported	Position Supported	Controller
StorageWorks Enclosure 4300 Family (supports Ultra2/Ultra3 drives)	Up to 8	External	Smart Array 532 Controller Smart Array 5302/128 Controller Smart Array 5304/256 Controller 64-bit/66-MHz Single Channel Wide Ultra3 SCSI 64-bit/66-MHz Dual Channel Wide Ultra3 SCSI Adapter 64-Bit/133-MHz Dual Channel Ultra320 SCSI Adapter
MSA 1000	Please see the MSA 1000 QuickSpecs below to determine configuration requirements	External	Please see the MSA 1000 QuickSpecs (URL below) for the latest list of supported HBAs

MSA 1000: http://h18000.www1.hp.com/products/quickspecs/11033_div/11033_div.HTML

Storage

Maximum Storage Capacity – (StorageWorks Enclosure 4300 SCSI Attached)

Internal	293.6 GB (2 x 146.8 GB Ultra320 1")
External	16.441TB (8 x (14 x 146.8 GB Ultra320 1"Drives))
Total	16.735 TB

Tape Drives

NOTE: For an up-to-date listing of the latest O/S Support details for each of the Tape Drives listed below, please see the following:

http://h18000.www1.hp.com/products/quickspecs/North_America/10233.html (North America)

<http://h18000.www1.hp.com/products/quickspecs/Division/10233.html> (Worldwide)

NOTE: For an up-to-date listing of the latest O/S Support details for each of the Tape Storage Systems listed below, please see the following:

http://h18000.www1.hp.com/products/quickspecs/North_America/10809.html (North America)

<http://h18000.www1.hp.com/products/quickspecs/Division/10809.html> (Worldwide)

	Quantity Supported	Position Supported	Controller
20/40-GB DAT 8 Cassette Autoloader	Up to 4	External	64-bit/66-MHz Dual Channel Wide Ultra3 SCSI Adapter 64-bit/66-MHz Single Channel Wide Ultra3 SCSI Adapter 64-Bit/133-MHz Dual Channel Ultra320 SCSI Adapter
AIT 35-GB LVD Tape Drive AIT 50-GB Tape Drive AIT 100-GB Tape Drive	Up to 3 (for AIT 35 GB) Up to 2 (for AIT 50 GB, AIT 100 GB)	External	64-bit/66-MHz Dual Channel Wide Ultra3 SCSI Adapter 64-bit/66-MHz Single Channel Wide Ultra3 SCSI Adapter 64-Bit/133-MHz Dual Channel Ultra320 SCSI Adapter
External 40/80-GB DLT Enhanced External DAT 72 Tape Drive	Up to 3	External	64-bit/66-MHz Dual Channel Wide Ultra3 SCSI Adapter 64-bit/66-MHz Single Channel Wide Ultra3 SCSI Adapter 64-Bit/133-MHz Dual Channel Ultra320 SCSI Adapter
HP StorageWorks AIT 35 GB Autoloader	Up to 1 (for a single HBA) Up to 2 (for a dual HBA)	External	64-bit/66-MHz Dual Channel Wide Ultra3 SCSI Adapter 64-bit/66-MHz Single Channel Wide Ultra3 SCSI Adapter 64-Bit/133-MHz Dual Channel Ultra320 SCSI Adapter
SDLT 110/220-GB, External	Up to 2	External	64-bit/66-MHz Dual Channel Wide Ultra3 SCSI Adapter 64-bit/66-MHz Single Channel Wide Ultra3 SCSI Adapter 64-Bit/133-MHz Dual Channel Ultra320 SCSI Adapter
SSL2020 AIT Library	2 drives per SCSI channel	External	64-Bit/66MHz Dual Channel Wide Ultra3 SCSI Adapter SAN Access Module for Smart Array 5302 Controller 64-Bit/133-MHz Dual Channel Ultra320 SCSI Adapter
SSL1016 tape autoloader	Up to 2 drives	External	64-Bit/66-MHz Dual Channel Wide Ultra3 SCSI Adapter 64-Bit/133-MHz Dual Channel Ultra320 SCSI Adapter
MSL5026DLX (40/80GB DLT-based) MSL5026SL (SDLT-based) Library MSL5052SL (SDLT-based) Library MSL5052S2 (SDLT-based) Library MSL5030L1 (LTO-based) Library MSL5060L1 (LTO-based) Library MSL6030 (LTO-based) Library MSL6060 (LTO-based) Library	2 drives per SCSI channel	External	64-Bit/66-MHz Dual Channel Wide Ultra3 SCSI Adapter
DLT1 1280 SuperLoader	Up to 2	External	64-bit/66-MHz Dual Channel Wide Ultra3 SCSI Adapter 64-bit/66-MHz Single Channel Wide Ultra3 SCSI Adapter 64-Bit/133-MHz Dual Channel Ultra320 SCSI Adapter

TechSpecs

System Unit	Dimensions (HxWxD)	1.65 x 16.75 x 25 in (4.19 x 42.55 x 63.5 cm)
	Weight	No hard drives installed, one power supply 26 lb (11.81 kg) Hard drives installed, one power supply 28.6 lb (13 kg)
	Input Requirements	Range Line Voltage 100 to 240 VAC Voltage 220 to 240 VAC Rated Input Current 2.80A (110 V) to 1.40A (220 V) Rated Input Frequency 50 to 60 Hz Rated Input Power 200 W NOTE: 308 W of Rated Input Power is for the Maximum Peak Output Power of 200 W.
	BTU Rating	1050 BTUs/hr NOTE: The BTU Rating listed is for the Rated Input Power of 200 W.
	Power Supply Output Power (per power supply)	Maximum Peak Power 200 W
	Temperature Range	Operating 50° to 95° F (10° to 35° C) Shipping -22° to 122° F (-30° to 50° C)
	Relative Humidity (non-condensing)	Operating 8% to 90% Shipping 5% to 95%
	Maximum Wet Bulb Temperature	
	Acoustic Noise	Idle (Fixed Disk Drives Spinning) L_{wAd} (BELS) 6.5 L_{pAm} (dBA) 51 Operating (Random Seeks to Fixed Disks) L_{wAd} (BELS) 6.6 L_{pAm} (dBA) 52

TechSpecs

1.44-MB Diskette Drive	Diskette Size	3.5 in		
	LED Indicators (front panel)	Green		
	Read/Write Capacity per Diskette (high/low density)	1.44 MB/720 KB		
	Drive Supported	One		
	Drive Height	11 mm		
	Drive Rotation	300 rpm		
	Transfer Rate (high/low)	500 K/250 K bits/s		
	Bytes/Sector	512		
	Sectors/Track (high/low)	18/9		
	Tracks/Side (high/low)	80/80		
	Access Times	Track-to-Track (high/low)	3/6 ms	
		Average (high/low)	94/169 ms	
		Settling Time	15 ms	
		Latency Average	100 ms	
	Cylinders (high/low)	80/80		
	Read/Write Heads	Two		

Multibay 24X Max IDE CD-ROM Drive (Low Profile)	Disk	Applicable Disk	CD-DA, CD-ROM (Mode 1 and 2) CD-XA, CD-I (Mode 2, Form 1 and 2) CD-I Ready, CD Extra, Video CD, CD-Bridge Photo CD (Single and Multi-session) CD-WO
		Capacity	550 MB (Mode 1, 12 cm) 640 MB (Mode 2, 12 cm)
		Diameter	4.7 x 3.15 in/12 x 8 cm
		Rotational Speed	4200 rpm maximum
		Center Hole	0.6 in/15 mm diameter
		Thickness	1.2 mm
		Track Pitch	1.6 μ m
	Block Size	Mode 0	2,368, 2,352 bytes
		Mode 1	2,352, 2,340, 2,336, 2,048 bytes
		Mode 2	2,352, 2,340, 2,336, 2,048 bytes
	Interface	IDE (ATAPI)	
	Access Times (typical)	Random	< 140 ms
		Full-Stroke	< 300 ms
	Data Transfer Rate	Sustained	150 KB/s (sustained 1X)
		Burst	2100 to 4800 KB/s
	Cache Buffer	128 KB	
	Start-up Time (typical)	< 10 seconds	
	Stop Time	< 5 seconds	
	Operating Conditions	Temperature	41° to 120° F 95° to 55° C
		Humidity	10% to 80%
Dimensions	(HxWxD, maximum)	0.5 x 5.16 x 5.12 in (1.27 x 13.1 x 13 cm)	
	Weight	< 0.75 lb (< 340 g)	

TechSpecs

Slim Line CD-RW/DVD-ROM 24X Combo Drive (Multibay)	Shipping Dimensions Shipping Weight Disk	13.88 x 11.38 x 9.25 in (35.26 x 28.91 x 23.50 cm) 5 lb (2.27 kg) Applicable Disk	DVD-ROM DVD-R (Read Only) 2.6 GB/side DVD-RAM (Read Only) 5.2 GB/side DVD-RAM (Read Only) CD-ROM Mode-1 data disc CD-ROM Mode-2 data disc CD Audio disc CD-Extra CD-RW CD-R CD Text PhotoCD CD-I (mode 2) CD-I Ready CD-Bridge														
	Capacity	DVD-ROM	<table border="0"> <tr> <td>DVD-SL</td> <td>4.7 GB/side</td> </tr> <tr> <td>DVD-DL</td> <td>8.5 GB/side</td> </tr> <tr> <td>Double Sided</td> <td>9.40 GB/side</td> </tr> <tr> <td>DVD-R</td> <td>3.95 GB/side</td> </tr> <tr> <td>DVD-RAM</td> <td>2.6 GB/side and 5.2 GB/</td> </tr> <tr> <td>CD-ROM Mode-1</td> <td>650 MB (550 MB)</td> </tr> <tr> <td>Mode-2</td> <td>742 MB (640 MB)</td> </tr> </table>	DVD-SL	4.7 GB/side	DVD-DL	8.5 GB/side	Double Sided	9.40 GB/side	DVD-R	3.95 GB/side	DVD-RAM	2.6 GB/side and 5.2 GB/	CD-ROM Mode-1	650 MB (550 MB)	Mode-2	742 MB (640 MB)
DVD-SL	4.7 GB/side																
DVD-DL	8.5 GB/side																
Double Sided	9.40 GB/side																
DVD-R	3.95 GB/side																
DVD-RAM	2.6 GB/side and 5.2 GB/																
CD-ROM Mode-1	650 MB (550 MB)																
Mode-2	742 MB (640 MB)																
	Block Size	DVD CD	<table border="0"> <tr> <td>DVD</td> <td>2,048 bytes</td> </tr> <tr> <td>CD</td> <td>2,352 (Mode-0) 2352, 2340, 2336, 2048 bytes (Mode-1) 2352, 2340, 2336, 2048 bytes (Mode-2)</td> </tr> </table>	DVD	2,048 bytes	CD	2,352 (Mode-0) 2352, 2340, 2336, 2048 bytes (Mode-1) 2352, 2340, 2336, 2048 bytes (Mode-2)										
DVD	2,048 bytes																
CD	2,352 (Mode-0) 2352, 2340, 2336, 2048 bytes (Mode-1) 2352, 2340, 2336, 2048 bytes (Mode-2)																
	Diameter	120 mm, 80 mm (with adapter at vertical mounting mode)															
	Loading Mechanism	Tray type															
	Interface	EIDE (ATAPI)															
	Access Times (typical)	Random Full-Stroke	DVD-ROM < 120 ms, CD-ROM < 110 ms DVD-ROM < 240 ms, CD-ROM < 160 ms														
	Audio Output Level (typical)	Line-out	CD 0.7 Vrms at 47 Kohms Load														
	Data Transfer Rate (sustained)	DVD-ROM DVD-RAM CD-ROM	Single Layer 10.8 MB/sec. Max. 2.77 MB/sec. Max 7.2 MB/sec. Max.														
	Cache Buffer	2 MB															
	Spin-up Time (typical)	less than 10 seconds															
	MTBF	120,000 Power On Hours (POH)															
	Ambient Temperature	Operating	-22° to 140° F (-30° to 60° C)														

TechSpecs

Relative Humidity	Operating	10% to 80%
	Storage/Transportation	5% to 95%
Dimensions	(HxWxD, maximum)	0.5 x 5.04 x 5.1 in (12.7x128x129.4 mm)
Option Kit Contents	DVD-ROM drive with installation guide, warranty card, registration card	

Integrated Lights-Out (integrated on system board)

Architecture	32-bit PCI-based health and remote management ASIC (Application Specific Integrated Circuit)
Processor	32-bit RISC processor core running at 66MHz
Upgradability	Option firmware upgradable via flash ROM.
Video Support	Utilizes the host server's embedded video chip. Supports VGA/SVGA, 640 x 480 (256 to 16.7 M colors), 800 x 600 (256 to 16.7 M colors), 1024 x 768 (256 to 65K colors), 1280 x 1024 (256 colors)
Interfaces	One Ethernet network connection (10/100 Mb/s)
Memory	2-MB Flash ROM 8-MB SDRAM
Operating System Support	Microsoft Windows NT 4.0 Server Windows NT 4.0 Enterprise Edition Windows 2000 Server Windows 2000 Advanced Server Windows .NET Server Windows .NET Advanced Server Red Hat 7.x SuSE 7.0 Caldera Open Linux Server 3.1 Novell NetWare 5.x, 6.x NOTE: The ProLiant DL360 Generation 2 (G2) does not offer an external SCSI port.
Client Browser Support	Microsoft Internet Explorer 5.0 or later.
iLO Standard Features	Virtual Text Remote Console Virtual Power Button Control Dedicated LAN Connectivity Automatic IP Configuration via DHCP/DNS/WINS Industry Standard 128-bit Secure Sockets Layer (SSL) Security IML and iLO Event Logging Support for up to 12 user accounts with customizable access privileges
iLO Advanced Features	Virtual Graphical Remote Console Virtual Floppy Drive Virtual CD Drive (free upgrade for systems with licensed iLO Advanced)

TechSpecs

Smart Array 5i Controller (integrated on system board)	Protocol	Wide Ultra3 SCSI
	Processor	32-bit RISC
	XOR engine	Hardware RAID
	Electrical interface	Low Voltage Differential (LVD)
	Simultaneous Drive Transfer Channels	2
	Channel Transfer Rate	320 MB/s total; 160 MB/s per channel
	SCSI Port Connectors	One external and one internal SCSI port NOTE: The ProLiant DL360 Generation 2 (G2) does not offer an external SCSI port.
	Memory	32 MB of DRAM used for code, transfer buffers, and non-battery-backed read cache
	Peak transfer rate	160 MB/s
	Logical Drives Supported	32
	Software Upgradeable Firmware	YES
	RAID Support	RAID 5 (Distributed Data Guarding) NOTE: A minimum of 3 hard drives are required for RAID 5 and only 2 are supported on the ProLiant DL360 Generation 2 (G2). Therefore RAID 5 is not supported on the ProLiant DL360 Generation 2 (G2). RAID 1+0 (Striping and Mirroring) RAID 1 (Mirroring) RAID 0 (Stripping)
	Disk Drive and Enclosure Protocol Support	Ultra2 and Ultra3

Two Compaq NC7780 PCI-X 10/100/1000-T Server Adapters	Network Interface	10/100/1000-T	
	Compatibility	EEE 802.3 10Base-T	
		IEEE 802.3ab 1000Base-T	
		IEEE 80.3u 100Base-TX	
	Data Transfer Method	64-bit/66MHz PCI-X	
	Network Transfer Rate	10Base-T (Half-Duplex), 10Base-2	10 Mb/s
		10Base-T (Full-Duplex)	20 Mb/s
		100Base-TX (Half-Duplex)	100 Mb/s
		100Base-TX (Full-Duplex)	200 Mb/s
		1000Base-TX	1000 Mb/s
Connector	RJ-45		
Cable Support	10Base-T	Categories 3, 4 or 5 UTP up to 328 ft (100 m)	
	100Base-TX	Category 5 UTP up to 328 ft (100 m)	

TechSpecs

Video Controller	Controller Chip	ATI RAGE XL		
	Video DRAM	8-MB Video SDRAM		
	Data Transfer Method	32-bit PCI		
	Support Resolution	Supported Color Depths		
		640 x 480	16.7, 64K, 256, 1	
		800 x 600	16.7, 64K, 256, 16	
		1024 x 768	16.7, 64K, 256, 16	
1152 x 864		16.7, 64K, 256, 16		
1280 x 1024	16.7, 64K, 256, 16			
	1600 x 1200	64K, 256, 16		
Connector	VGS			

© Copyright 2003 Hewlett-Packard Development Company, L.P.

The information contained herein is subject to change without notice.

Microsoft and Windows NT are US registered trademarks of Microsoft Corporation. Intel is a US registered trademark of Intel Corporation.

The only warranties for HP products and services are set forth in the express warranty statements accompanying such products and services. Nothing herein should be construed as constituting an additional warranty. HP shall not be liable for technical or editorial errors or omissions contained herein.