



Hewlett Packard
Enterprise

Battery Replacement Guide for the HPE ProLiant XL450 Gen10 Server

Part Number: 881302-001
Published: September 2017
Edition: 1

Removing and replacing the system battery

If the server no longer automatically displays the correct date and time, then replace the battery that provides power to the real-time clock. Under normal use, battery life is 5 to 10 years.



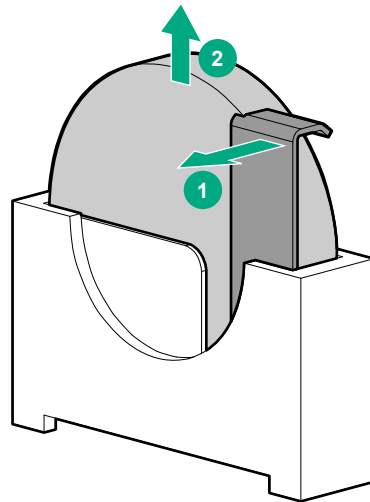
WARNING:

The computer contains an internal lithium manganese dioxide, a vanadium pentoxide, or an alkaline battery pack. A risk of fire and burns exists if the battery pack is not properly handled. To reduce the risk of personal injury:

- Do not attempt to recharge the battery.
- Do not expose the battery to temperatures higher than 60°C (140°F).
- Do not disassemble, crush, puncture, short external contacts, or dispose of in fire or water.
- Replace only with the spare designated for this product.

Procedure

1. **Power down the server** on page 2.
2. **Remove the server from the chassis** on page 3.
3. Place the server on a flat, level work surface.
4. Identify the battery location (**Server components** on page 4).
5. Remove the battery.



IMPORTANT:

Replacing the system board battery resets the system ROM to its default configuration. After replacing the battery, reconfigure the system through UEFI System Utilities.

To replace the component, reverse the removal procedure.

For more information about battery replacement or proper disposal, contact an authorized reseller or an authorized service provider.

Power down the server

Before powering down the server for any upgrade or maintenance procedures, perform a backup of critical server data and programs.

-
- ❗ **IMPORTANT:**
When the server is in standby mode, auxiliary power is still being provided to the system.
-

To power down the server, use one of the following methods:

- Press and release the Power On/Standby button.
This method initiates a controlled shutdown of applications and the OS before the server enters standby mode.
- Press and hold the Power On/Standby button for more than 4 seconds to force the server to enter standby mode.
This method forces the server to enter standby mode without properly exiting applications and the OS. If an application stops responding, you can use this method to force a shutdown.
- Use a virtual power button selection through iLO.
This method initiates a controlled remote shutdown of applications and the OS before the server enters standby mode.

Before proceeding, verify that the server is in standby mode by observing that the system power LED is amber.

Remove the server from the chassis

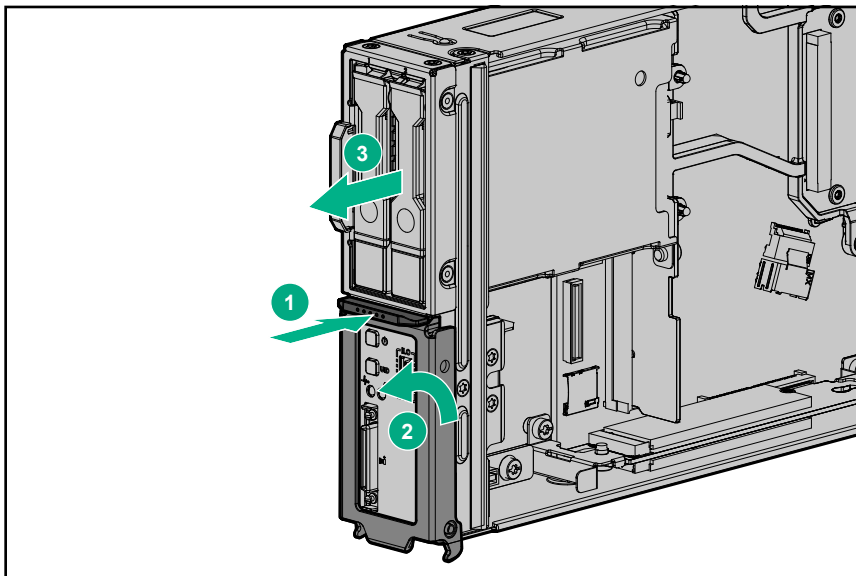
-
- ⚠ **CAUTION:**
Before removing the server, verify that the server backup LED is not flashing.
-

Procedure

1. **Power down the server** on page 2.

-
- ⚠ **CAUTION:**
To avoid damage to the server, always support the bottom of the server when removing it from the chassis.
-

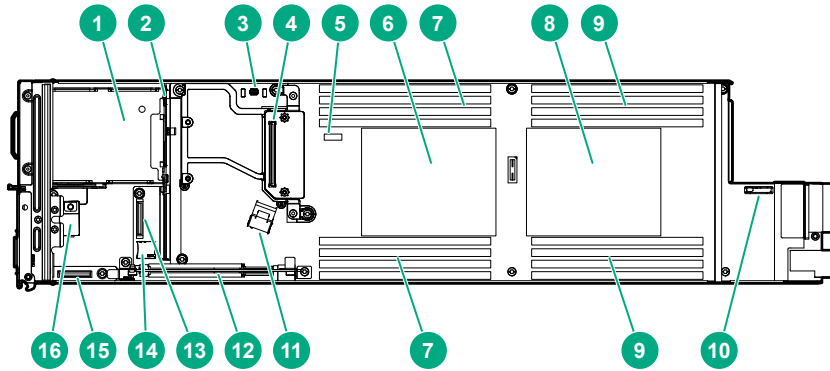
2. Remove the server from the chassis.



NOTE: To avoid damage to the device, do not use the removal handle to carry it.

3. Place the server on a flat, level work surface.

Server components



Item	Description
1	Drive cage
2	Drive backplane
3	TPM 2.0 connector
4	Controller connector
5	System maintenance switch
6	Processor 1
7	Processor 1 DIMMs (8)
8	Processor 2
9	Processor 2 DIMMs (8)
10	System battery
11	SFF drive cage data cable connector
12	M.2 riser board
13	Front panel I/O board cable connector
14	microSD card slot
15	Front panel I/O board
16	iLO Service Port board