



This mount kit supports multiple AP models. All installation images show the 225 AP.

Package Contents

- RJ45 Ethernet adapter cables (3)
- Plastic wall mount adapter
- Metal wall plate

Optional Materials

- Screwdriver
- Screws

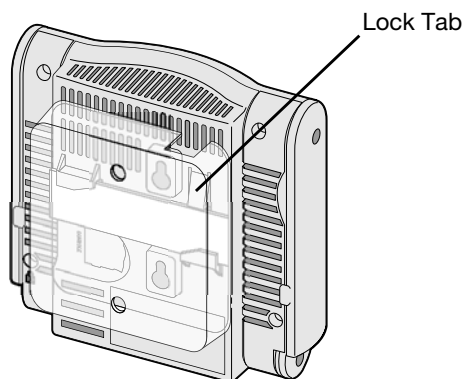
Introduction

The AP-220-MNT-120 mount adapter simplifies AP installation by allowing newer AP models to attach directly to existing 120 Series AP mounting brackets when replacing 802.11n APs with those supporting 802.11ac.

Using the 120 Series AP Wall Plate

1. Removing Existing AP from Wall Mount
 - a. Ensure that all cables are disconnected from the AP before removal.
 - b. Insert a flathead screwdriver into the slot on the wall mount. Press down on the lock tab indicated in Figure 1 to release the AP from the wall mount.

Figure 1 *Releasing the Lock Tab*

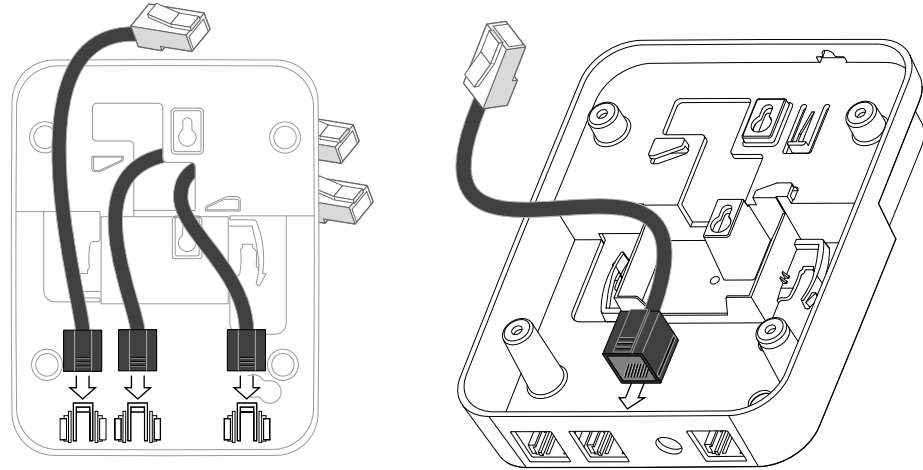


- c. Rotate the AP counterclockwise and pull away from the wall to remove.

2. Installing Adapter Cables

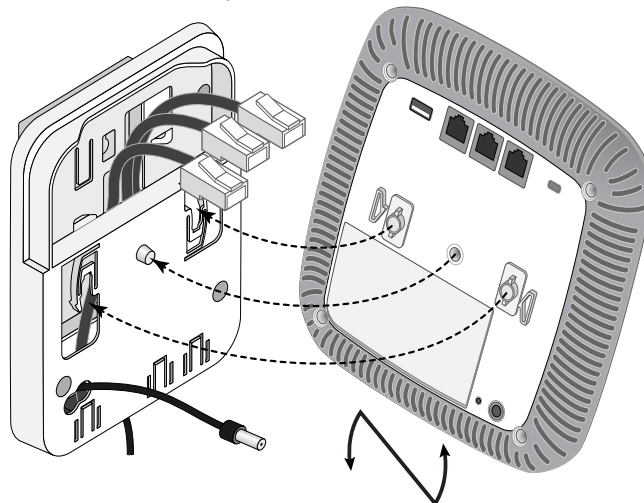
- a. Remove adapter cables from their bag and match female connector to their corresponding housings inside the wall adapter.
- b. Press each cable ending into its appropriate track and slide until they lock into place, shown in Figure 2.

Figure 2 Routing RJ45 Ethernet Cables



- c. Route the male connectors of the Ethernet cables through the top-center bracket of the wall adapter. Refer to Figure 2 (left).
 - d. (Optional): If your AP is powered from a non-PoE source, route the power cable through the bottom left opening of the wall adapter.
- ## 3. Installing the Wall Adapter
- a. Once the Ethernet cables are in place, align the wall adapter at a 30 degree angle to the wall mount.
 - b. Press the adapter against wall mount, then rotate clockwise until the adapter is locked into position.
- ## 4. Mounting an AP to the Wall Mount
- a. Plug in power cable and Ethernet cables to their corresponding ports on the AP.
 - b. Hold the AP so that it is a 30 degree angle from the adapter and the center peg of the wall mount is aligned with the mounting hole on the back of the AP. Refer to Figure 3.
 - c. Push AP against adapter, then rotate clockwise until the mounting pins have locked into the slots on the wall adapter.

Figure 3 Attaching the AP to the Wall Adapter



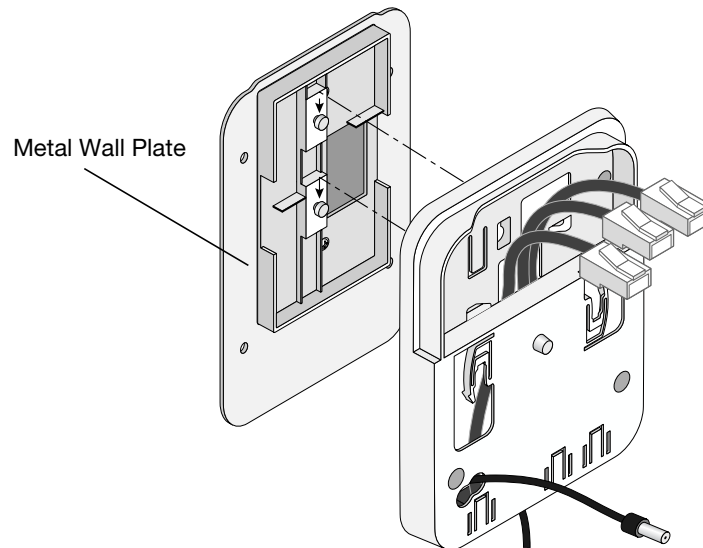
Using the 120 Series AP Junction Box Mounting Plate



If you are routing the Ethernet cables from the wall directly to the AP, the RJ45 Ethernet adapter cables will not be used.

1. Removed AP from Wall Mount
 - a. Ensure that all cables are unplugged from the AP before removal.
 - b. Lift up and pull the AP away from the wall to release mounting pins.
2. Mounting the Wall Plate (Optional)
 - a. After the AP has been removed, fit the metal wall plate around the wall mount and press it flat against the wall.

Figure 4 Attaching Adapter to Wall Mount



- b. Make sure that the wall plate is flush against the wall and that the orientation of the plate matches with the image shown in Figure 4.



Installing the metal wall plate increases stability and is recommended for heavier APs, such as the 220 series.

3. Installing the Wall Adapter
 - a. Route the Ethernet cables from the wall, through the top-center bracket of the wall adapter.
 - b. Route the power cable through the bottom-left opening of the wall adapter.
 - c. After all of the cables are in place, align the mounting pins on the wall mount with the holes on the adapter.
 - d. Push the wall adapter onto the pins and pull down to lock the AP in place.
 - e. (Optional) Once locked into the wall mount, check that the holes on the wall adapter are aligned with those on the metal wall plate, then secure the adapter to the wall using appropriate screws.
4. Mounting AP to Wall Mount
 - a. Plug in the power cable and Ethernet cables to their corresponding ports on the AP.
 - b. Hold the AP so that it is a 30 degree angle from the adapter and the center peg of the wall mount is aligned with the mounting hole on the back of the AP. Refer to Figure 3.
 - c. Push AP against adapter, then rotate clockwise until the mounting pins have locked into slots on the wall adapter.

Uninstalling the Wall Adapter

1. Removing the AP
 - a. Ensure that all cables are disconnected from the AP before removal.
 - b. Rotate the AP counterclockwise and pull away from the wall.
2. Removing the Wall Adapter from Wall Mount
 - a. If you are using the 120 Series AP Wall Plate, refer to step 1 under “Using the 120 Series AP Wall Plate” on page 1.
 - b. If you are using the 120 Series AP Junction Box Mounting Plate, refer to step 1 under “Using the 120 Series AP Junction Box Mounting Plate” on page 3.

© 2014 Aruba Networks, Inc. All rights reserved.



www.arubanetworks.com

1344 Crossman Avenue
Sunnyvale, California 94089

Phone: 408.227.4500
Fax 408.227.4550



0511646-01