

### Overview

#### AMD FirePro Accelerators for HPE ProLiant Servers

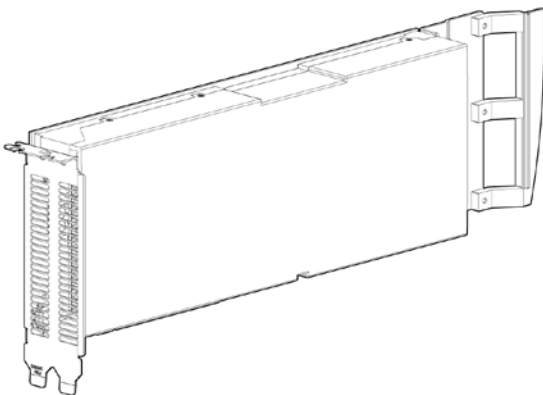
Hewlett Packard Enterprise supports, on select HPE ProLiant servers, computational accelerator modules based on AMD® FirePro™ Graphical Processing Unit (GPU) technology.

The following AMD FirePro accelerator is available from HPE, for use in the ProLiant DL380 Gen9 server

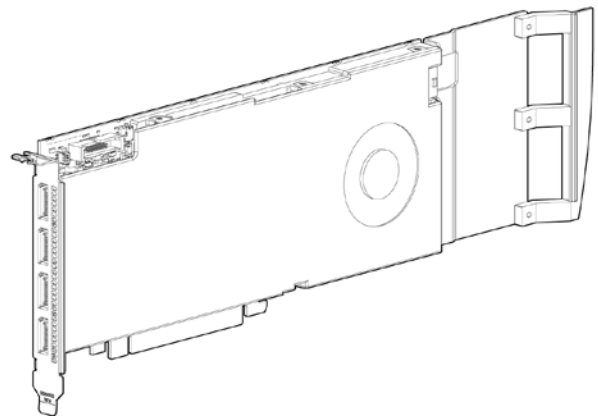
- HPE AMD FirePro S9150 Accelerator Kit
- HPE AMD FirePro W7100 Accelerator Kit

Based on AMD's Graphics Core Next (GCN) technology, the AMD FirePro GPUs enable seamless integration of accelerated computing and digital rendering with HPE ProLiant servers for high-performance computing and large data center, scale-out deployments.

The AMD FirePro GPUs support AMD STREAM technology, a set of GPU hardware and software features designed specifically to address high-performance workloads and workflows, including application requirements for high single and double floating point performance, ECC Memory support for increased computational accuracy, bi-directional low latency data transfers, and more. AMD FirePro cards are optimized for OpenCL™, an open and cross-platform programming standard used for general-purpose computations. When combined with the AMD APP Acceleration Software Development Kit and AMD supported development tools such as compilers and libraries, developers and customers can take full advantage of AMD FirePro for GPU compute. The AMD FirePro cards also support OpenGL and other rendering applications for full graphics processing of complex 3D models. The AMD FirePro accelerators provide all of the standard benefits of GPU computing while enabling maximum reliability and tight integration with system monitoring and management tools such as HPE Insight Cluster Management Utility. The HPE accelerator ecosystem includes HPE Cluster Platform specification and qualification, HPE-supported accelerator-aware cluster software, and also third-party accelerator-aware cluster software for AMD FirePro GPUs on HPE ProLiant Servers. In particular, the HPE Insight Cluster Management Utility (CMU) will monitor and display AMD FirePro GPU health sensors such as temperature. Insight CMU is integrated with popular schedulers such as Adaptive Moab, Altair PBS Professional, UNIVA Grid Engine and IBM Platform LSF - all of which have the capability of scheduling jobs based on GPU requirements.



**AMD FirePro S9150 GPU**



**AMD FirePro W7100 GPU**

#### What's New

- Introducing a new AMD FirePro GPU

## Models

### AMD Accelerators

HPE AMD FirePro S9150 Accelerator Kit

J0H11A

HPE AMD FirePro W7100 Accelerator Kit

J0H10A

**NOTE:** Please see the HPE ProLiant DL380, ML150, ML350, XL190r, XL250a Gen9 and SL270s SE Gen8 server QuickSpecs for configuration rules including requirements, if any, for enablement kits.

---

## Standard Features

### AMD FirePro Accelerators

#### Performance of the HPE AMD FirePro S9150 GPU

- 2816 STREAM processors (44 compute units)
- 206 GFlops of double-precision peak performance
- 3.3 Tflops of single-precision peak performance
- GDDR5 memory optimizes performance and reduces data transfers by keeping large data sets in 16 GB of local memory  
The high speed PCIe Gen 3.0 data transfer maximizes bandwidth between the HPE ProLiant server and the FirePro GPU.

#### Performance of the HPE AMD FirePro W7100 GPU

- 1792 STREAM processors (28 compute units)
- 2.53 TFlops of double-precision peak performance
- 5.07 Tflops of single-precision peak performance
- GDDR5 memory optimizes performance and reduces data transfers by keeping large data sets in 8 GB of local memory  
The high speed PCIe Gen 3.0 data transfer maximizes bandwidth between the HPE ProLiant server and the FirePro GPU.

### Reliability

- ECC Memory meets a critical requirement for computing accuracy and reliability for datacenters and supercomputing centers. It offers protection of data in memory to enhance data integrity and reliability for applications.
- Passive heatsink design eliminates moving parts and cables reduces mean time between failures.

---

#### Supported Operating Systems

**NOTE:** For HPE ProLiant Gen9 Servers with the Intel Xeon E5-2600v3 series processors, AMD FirePro are supported only on 64-bit versions of Linux operating systems RHEL 6 and SLES11, and Windows Server 2012.

**NOTE:** For HPE ProLiant Gen9 Servers with the Intel Xeon E5-2600v4 series processors, AMD FirePro is supported only on 64-bit versions of Linux operating systems RHEL 6,7 and SLES11, and Windows Server 2012.

---

#### HPE Warranty

The HPE AMD FirePro S9150 has one year parts exchange warranty. For details on HPE Qualified Options Limited Warranty visit:

<http://h18004.www1.hp.com/products/servers/platforms/warranty/index.html>

## Optional Features

### HPE High Performance Clusters

- HPE Cluster Platforms** HPE Cluster Platforms are specifically engineered, factory-integrated large-scale ProLiant clusters optimized for High Performance Computing, with a choice of servers, networks and software. Operating system options include specially priced offerings for Red Hat Enterprise Linux and SUSE Linux Enterprise Server. A Cluster Platform Configurator simplifies ordering. <http://www.hp.com/go/clusters>
- HPE HPC Interconnects** High Performance Computing (HPC) interconnect technologies are available for this server Interconnects as part of the HPE Cluster Platform portfolio. These high-speed InfiniBand and Gigabit interconnects are fully supported by HPE when integrated within an HPE cluster. Flexible, validated solutions can be defined with the help of configuration tools. <http://www.hp.com/techservers/clusters/ucp/index.html>
- HPE Insight Cluster Management Utility** HPE Insight Cluster Management Utility (CMU) is an HPE-licensed and HPE-supported suite of tools that are used for lifecycle management of hyperscale clusters of Linux ProLiant Management systems. CMU includes software for the centralized provisioning, management and monitoring of nodes. CMU makes the administration of clusters user friendly, efficient, and effective. <http://www.hp.com/go/cmu>

## Service and Support

### HPE Technology Services for Server options

HPE Technology Services delivers confidence, reduces risk and helps customers realize agility and stability. Connect to HPE to help prevent problems and solve issues faster. Our support technology lets you to tap into the knowledge of millions of devices and thousands of experts to stay informed and in control, anywhere, any time.

### Protect your business beyond warranty with HPE Care Pack Services

HPE Care Pack Services enable you to order the right service level, length of coverage and response time as you purchase your new server, giving you full entitlement for the term you select.

### Get connected to HPE to improve your support experience

Connecting products to Hewlett Packard Enterprise will help prevent problems with 24x7 monitoring, prefailure alerts, automatic call logging, and parts dispatch. With Connected products, you can have a dashboard to manage your IT anywhere, anytime, from any device

### HPE Support Center

Personalized online support portal with access to information, tools and experts to support Hewlett Packard Enterprise business products. Submit support cases online, chat with HPE experts, access support resources or collaborate with peers. Learn more <http://www.hp.com/go/hpsc>

The HPE Support Center Mobile App allows you to resolve issues yourself or quickly connect to an agent for live support. Now, you can get access to personalize IT support anywhere, anytime. HPE Insight Remote Support and HPE Support Center are available at no additional cost with a HPE warranty, HPE Care Pack or Hewlett Packard Enterprise contractual support agreement.

**NOTE: HPE Support Center Mobile App above is subject to local availability.**

### Parts and materials

Hewlett Packard Enterprise will provide HPE-supported replacement parts and materials necessary to maintain the covered hardware product in operating condition, including parts and materials for available and recommended engineering improvements.

Parts and components that have reached their maximum supported lifetime and/or the maximum

## Optional Features

usage limitations as set forth in the manufacturer's operating manual, product QuickSpecs, or the technical product data sheet will not be provided, repaired, or replaced as part of these services.

The defective media retention service feature option applies only to Disk or eligible SSD/Flash Drives replaced by HPE due to malfunction.

### **For more information**

To learn more about HPE Care Pack Services, please contact your Hewlett Packard Enterprise sales representative or Hewlett Packard Enterprise Authorized ServiceOne Channel Partner. Or visit:

**<http://www.hp.com/services/proliant>** or **<http://www.hp.com/services/bladesystem>**

## Technical Specifications

<b>Form Factor</b>	<b>FirePro S9150, W7100</b>	10.5 in x 4.4 in PCIe x16 form factor
<b>Number of GPUs</b>	<b>FirePro S9150, W7100</b>	1 GPU
<b>Double Precision floating point performance (peak)</b>	<b>FirePro S9150</b>	2.53 Tflops
	<b>FirePro W7100</b>	206 Gflops
<b>Single Precision floating point performance (peak)</b>	<b>FirePro S9150</b>	5.07 Tflops
	<b>FirePro W7100</b>	3.3 Tflops
<b>Total Dedicated Memory</b>	<b>FirePro S9150</b>	16 GB GDDR5
	<b>FirePro W7100</b>	8 GB GDDR5
<b>Memory Bandwidth]</b>	<b>FirePro S9150</b>	320 GB/sec
	<b>FirePro W7100</b>	160 GB/sec
<b>Number of slots</b>	<b>FirePro S9150</b>	2
	<b>FirePro W7100</b>	1
<b>Power Consumption</b>	<b>FirePro S9150</b>	235W TDP
	<b>FirePro W7100</b>	150W TDP
<b>System Interface</b>	<b>FirePro S9150, W7100</b>	PCIe x16 Gen3
<b>Thermal Solution</b>	<b>FirePro S9150</b>	Passive cooling by host system airflow
	<b>FirePro W7100</b>	Active cooling

**Environment-friendly Products and Approach**    **End-of-life Management and Recycling**    Hewlett Packard Enterprise offers end-of-life Hewlett Packard Enterprise product return, trade-in, and recycling programs in many geographic areas. For trade-in information, please go to: <http://www.hp.com/go/green>. To recycle your product, please go to: <http://www.hp.com/go/green> or contact your nearest Hewlett Packard Enterprise sales office. Products returned to Hewlett Packard Enterprise will be recycled, recovered or disposed of in a responsible manner.

The EU WEEE directive (2002/95/EC) requires manufacturers to provide treatment information for each product type for use by treatment facilities. This information (product disassembly instructions) is posted on the Hewlett Packard Enterprise web site at: <http://www.hp.com/go/green>. These instructions may be used by recyclers and other WEEE treatment facilities as well as HEWLETT PACKARD ENTERPRISE OEM customers who integrate and re-sell Hewlett Packard Enterprise equipment.

## Summary of Changes

Date	Version History	Action	Description of Change
31-Mar-2016	From version 2 to 3	Updated	Update all the sections and general info throughout the QuickSpecs
03-Feb-2015	From version 1 to 2	Modified	Add information about FirePro W7100
09-Sept-2014	Version 1	Created	Create the QuickSpecs for the AMD FirePro Accelerators for HPE ProLiant Servers



**Sign up for updates**

★ Rate this document



© Copyright 2016 Hewlett Packard Enterprise Development LP. The information contained herein is subject to change without notice. The only warranties for Hewlett Packard Enterprise products and services are set forth in the express warranty statements accompanying such products and services. Nothing herein should be construed as constituting an additional warranty. Hewlett Packard Enterprise shall not be liable for technical or editorial errors or omissions contained herein.

Windows and Microsoft are registered trademarks of Microsoft Corp., in the U.S.

c04447905 - 15097 - Worldwide - V3 - 31-March-2016