

5U Tower G6 Server Redundant Power Supply Enablement Option Installation Instructions



Overview

This document contains instructions for installing the optional Redundant Power Supply (RPS) enablement kit into a 5U tower server chassis.

For more information on preparing the server for installation, see the documentation referenced on the HP server product CD.

Kit contents

- RPS enablement kit
- Mounting screws (8)
- This document

Important safety information

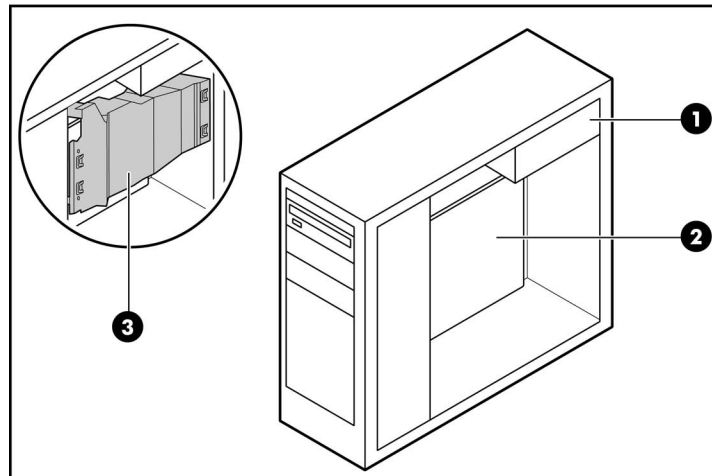
Read the installation instructions completely before beginning the installation procedure. For more information, see the *Important Safety Information* document on the HP Server product CD.

CAUTION: Electrostatic discharge (ESD) can damage electronic components. Be sure you are properly grounded (earthed) before beginning an installation procedure..

Installation guidelines

This installation must be performed by qualified personnel who are knowledgeable of the procedures, precautions, and hazards associated with equipment containing hazardous energy circuits.

Figure 1 Chassis layout



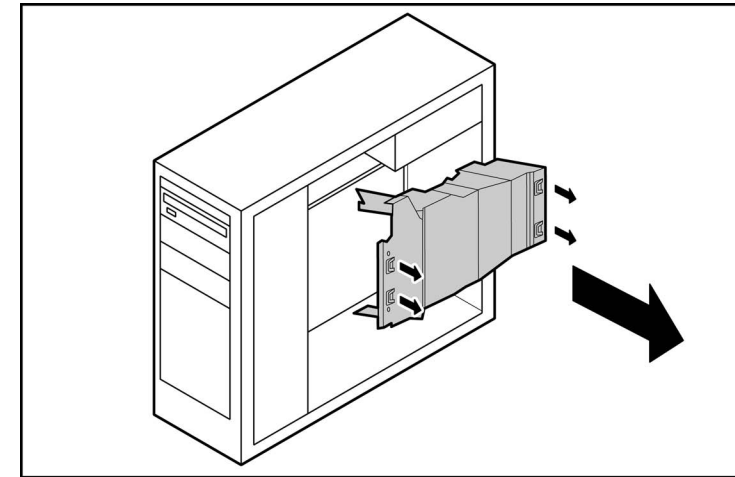
Item	Description
1	Power supply unit
2	System board
3	Air baffle

Installing the RPS enablement kit

1. Back up the server data.
2. Shut down the operating system.
3. Power down the server.
4. Disconnect the power cord from the existing power supply unit.
5. If necessary, unlock the front bezel.

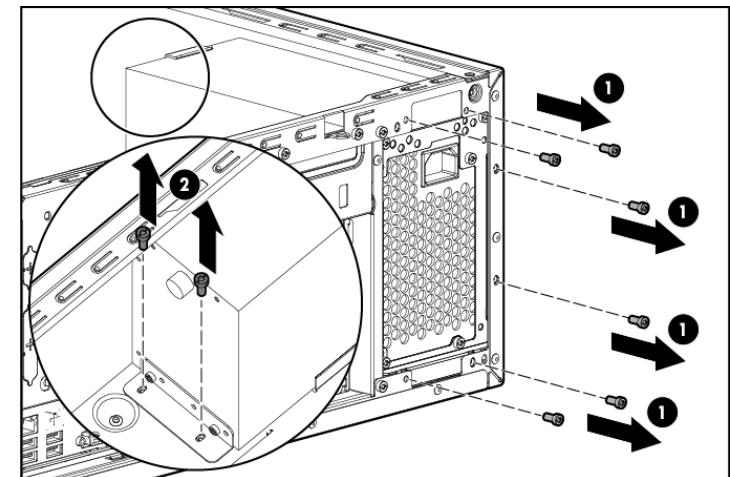
6. Loosen the access panel thumbscrews, and then remove the panel.
7. Slightly pull up the air baffle release tabs, and then lift the air baffle away from the chassis.

Figure 2 Removing the air baffle



8. Place the server on the side with the open side up.
9. Disconnect all power cables of the existing power supply from the system board and the mass storage devices.
10. Remove the mounting screws that secure the existing power supply to the chassis.

Figure 3 Removing the mounting screws



11. Slightly lift up the power supply, and then push toward the front of the chassis until it clears the support ledge.
12. Tilt the power supply towards processor socket, and then carefully remove the power supply from the chassis.

Legal notices

© Copyright 2009, 2012 Hewlett-Packard Development Company, L.P.

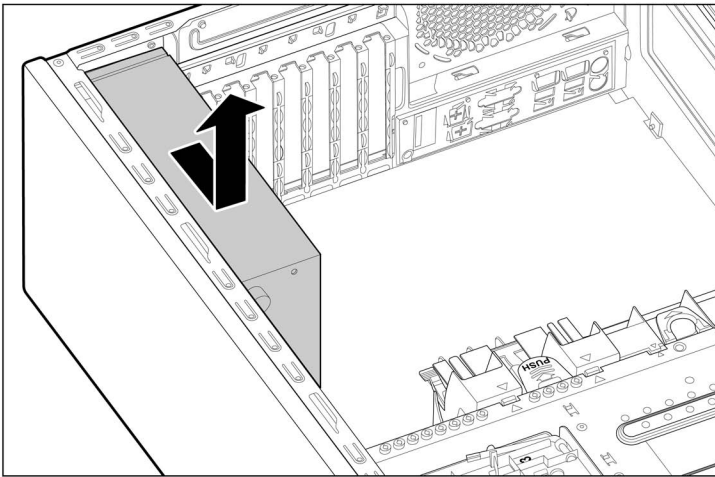
The information contained herein is subject to change without notice. The only warranties for HP products and services are set forth in the express warranty statements accompanying such products and services. Nothing herein should be construed as constituting an additional warranty. HP shall not be liable for technical or editorial errors or omissions contained herein.

Part Number: 501526-002
Published: April 2012
Edition: 2



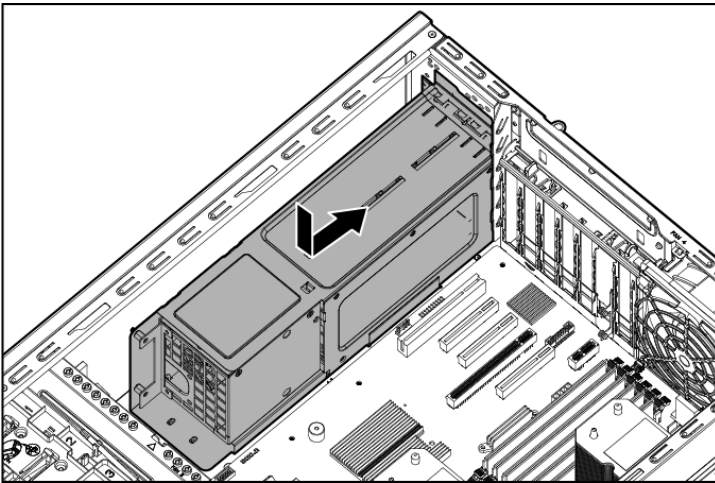
501526-002

Figure 4 Removing the existing power supply unit (cables not shown)



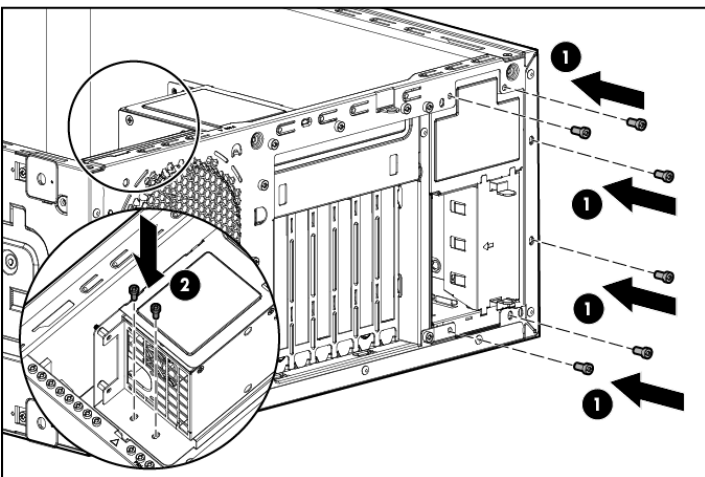
13. Carefully position the RPS cage inside the chassis, and then move it towards the rear until it is flushed against the rear chassis panel.

Figure 5 Installing the RPS cage (cables not shown)



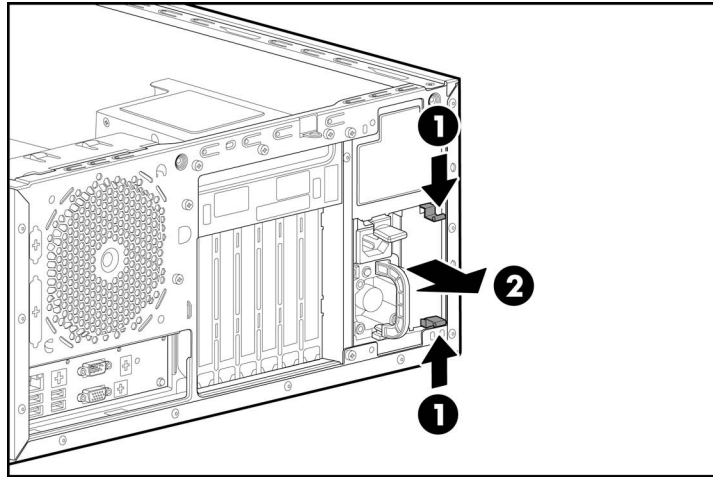
14. Secure the RPS cage to the chassis with the mounting screws.

Figure 6 Installing the mounting screws



15. Install the power supply into the lower bay of the RPS cage.
16. If you plan to install a second power supply, remove the power supply blank cover.

Figure 7 Removing the power supply blank cover



IMPORTANT: To maintain proper system cooling when only one power supply is installed, do not remove the power supply blank cover.

17. Install the second power supply into the top bay of the RPS cage.
18. Connect the RPS cage cables to the system board.
19. Connect the power supply cables to the mass storage devices and to the system board.
For more information on the power supply and RPS kit cable routing, see the server hood label.
20. Replace the air baffle.
21. Replace the access panel.
22. Return the server to the upright position.
23. Connect the power cords to the power supplies.

Installation is complete.

Documentation feedback

HP is committed to providing documentation that meets your needs. To help us improve the documentation, send any errors, suggestions, or comments to Documentation Feedback (<mailto:docsfeedback@hp.com>). Include the document title and part number, version number, or the URL when submitting your feedback.