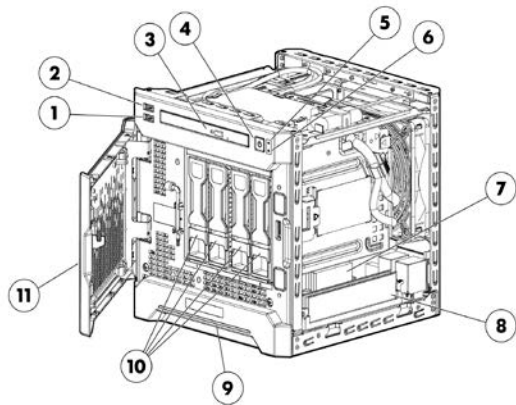


Overview

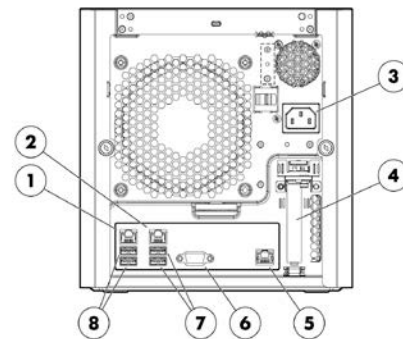
HPE ProLiant MicroServer Generation 8 (Gen8)

HPE ProLiant MicroServer Gen8 is a small, quiet, and stylishly designed server that is ideal for micro and small businesses looking to build their first IT server environment. With a form factor that is easy to use and service, HPE MicroServer Gen8 helps businesses get to a server that provides better and secured access to data, more efficiency in operations, while driving down their operating expenses.



Front View:

1. USB 2.0 connector
2. USB 2.0 connector
3. DVD-RW (optional)
4. Power On/Standby button and system power LED button
5. NIC status LED
6. Hard Drive status LED
7. Intel® Processor
8. 2 DIMM slots: DDR3 Unbuffered (UDIMM) memory
9. Health LED
10. Hard Drive Bays
11. Front bezel



Rear View:

1. NIC 2 connector
2. NIC 1 connector / Shared iLO connector
3. Power cord connector
4. PCIe 2.0 x16 slot
5. iLO 4 connector
6. Video connector
7. USB 3.0 connectors
8. USB 2.0 connectors

What's New

- New SKUs with 4GB UDIMM
- Xeon E3-1220Lv2 BTO SKU
- Core i3-3240 BTO SKU
- Higher maximum storage of 16TB with support for 4TB SATA LFF HDD
- Support for new low-priced SATA NHP LFF Standard Drives
- Support for new HPE PS110 Wireless 802.11n VPN Router

Standard Features

Processor	<p>Intel® Celeron® G1610T (2.3Hz/2-core/2MB/35W) Processor Intel® Pentium® G2020T (2.5GHz/2-core/3MB/35W) Processor NOTE: Intel® Celeron® G1610T and Intel® Pentium® G2020T support up to 1333MHz DDR3 memory speed.</p> <p>Intel® Core™ i3-3240 (3.4GHz/2-core/3MB/65W) Processor NOTE: Intel® Core® i3-3240 support up to 1600MHz DDR3 memory speed.</p> <p>Intel® Xeon® E3-1220Lv2 (2.3GHz/2-core/3MB/17W) Processor NOTE: Intel® Xeon® E3-1220Lv2 supports up to 1600MHz DDR3 memory speed.</p>					
Cache Memory	<p>3MB (1 x 3MB) L3 Cache NOTE: For Dual-core Pentium and Xeon processors.</p> <p>2MB (1 x 2MB) L3 Cache NOTE: For Dual-core Celeron processor.</p> <p>NOTE: All processor models above list the L3 Cache associated with that particular processor.</p>					
Chipset	<p>Intel® C204 Chipset NOTE: For more information regarding Intel® chipsets, please see the following URL: http://www.intel.com/products/server/chipsets/.</p>					
On System Management Processor	<p>HPE iLO (Firmware: HPE iLO 4) NOTE: For more information, visit: http://www.hp.com/go/ilo.</p>					
Memory Protection	ECC					
Memory	Type	HPE SmartMemory DDR3 Unbuffered (UDIMM)				
	DIMM Slots Available	2				
	Standard	4GB (1 x 4GB) PC3L-12800E DDR3 UDIMM				
	Maximum	16GB (2 x 8GB) PC3-12800E DDR3 UDIMM				
	NOTE: HPE memory from previous generation servers are not fully compatible with the HPE ProLiant MicroServer Gen8.					
Network Controller	HPE Ethernet 1Gb 2-port 332i Adapter					
Expansion Slots	Expansion Slot #	Technology	Bus Width**	Connector Width	Form Factor	Notes
	1	PCIe 3.0/2.0*	x16	x16	Low Profile	
	NOTE: * Processor dependent. Xeon is PCIe 3.0. Celeron and Pentium are PCIe 2.0.					
	NOTE: ** Indicates the number of physical electrical lanes running to a PCI-e connector.					
HPE Server ROM	<p>HPE ROM (Read Only Memory) is now digitally signed using The Hewlett Packard Enterprise Corporate Signing Service. This signature is verified before the flash process starts, reducing accidental programming and preventing malicious efforts to corrupt system ROM.</p> <p>HPE ROM provides for essential initialization and validation of hardware components before control is passed to the customer-installed operating system. The ROM also provides the capability of booting from various fixed media (HDD, CD-ROM) and removable media (USB), to continue operation to the</p>					

Standard Features

operating system.

HPE ROM performs very early configuration of the video controller, to allow monitoring of initialization progress via an attached monitor. If configuration or hardware errors are discovered during this early phase of hardware initialization, suitable messages are now displayed on the connected monitor. Additionally, these configuration or hardware errors are logged to the Integrated Management Log (IML) to assist in diagnosis.

The Hewlett Packard Enterprise ProLiant ROM is used to configure the following:

- Processor and chipset status registers
- System memory, memory map, and memory initialization
- System hardware configuration (Integrated PCI devices and optional PCIe cards).
- Customer-specific BIOS configuration (using the HPE ROM-Based Setup Utility (RBSU)).

NOTE: For further information, please refer to [The Hewlett Packard Enterprise RBSU \(ROM based setup utility\) user guide: http://www.hp.com/support/rbsu](http://www.hp.com/support/rbsu).

Storage Controller

HPE Dynamic Smart Array B120i Controller

NOTE: HDD bays 1 and 2 support 6.0Gb/s SATA. HDD bays 3 and 4 support 3.0Gb/s SATA.

NOTE: Supports RAID 0/1/10 only. No FBWC support. For FBWC, a standup Smart Array Controller card must be configured.

NOTE: For more information about the controller and its features, see the HPE Dynamic Smart Array RAID Controller User Guide on the HPE website: (http://www.hp.com/support/DSA_RAID_UG_en).

NOTE: To configure arrays, see the Configuring Arrays on HPE Smart Array Controllers Reference Guide on the HPE website (http://www.hp.com/support/CASAC_RG_en).

NOTE: Please see the QuickSpecs for Technical Specifications and additional information: <https://www.hpe.com/h20195/v2/gethtml.aspx?docname=c04168333>

Internal Storage Devices

Optical Drive	Optional: SATA DVD-RW drive
Hard Drives	None ship standard

Maximum Internal Storage

Non-Hot Plug SATA	16TB (4 x 4TB) 3.5" SATA
-------------------	--------------------------

Interfaces

Video	1 Rear standard video
HPE iLO Remote Management Network Port	1Gb Dedicated (default iLO4 configuration)
Micro SD slot	1 Internal NOTE: The MicroSD slot is not a hot-pluggable device. Customers should not attempt to plug a MicroSD card into the MicroSD slot while the server is powered.
USB 2.0 Ports	5 total (2 front, 2 rear, 1 internal)
USB 3.0 Ports	2 total (2 rear) NOTE: Functional after OS boot.
Network RJ-45 (Ethernet)	2 (Port 1 shared for HPE iLO4 as optional configuration)

Industry Standard Compliance

- ACPI V2.0b Compliant
- PCIe 2.0 Compliant
- PXE Support
- WOL Support
- USB 2.0

Standard Features

USB 3.0
SATA Gen 2
SATA Gen 3

Server Power Cords The MicroServer models ship standard with a 6' country specific NEMA power cord. If customers require an alternative local power cord, they can check the power cord matrix for the appropriate country specific sku. Please see the following power cord matrix:
<http://www.hp.com/go/powercordmatrix>

Power Specifications To review typical system power ratings use the HPE Power Advisor which is available via the online tool located at URL: <http://www.hp.com/go/proliant-energy-efficient> or <http://www.hp.com/go/hppoweradvisor>.
NOTE: See Technical Specifications section at end of QuickSpecs for Power Specifications.

Power Supply One (1) 150 Watts Non-Hot Plug, Non redundant Power Supply (AMS, APJ and PRC models)
One (1) 200 Watts Non-Hot Plug, Non redundant Power Supply (EMEA models)

System Fans One (1) - Non-redundant system fan shipped standard

Operating Systems and Virtualization Software Support for ProLiant Servers [Microsoft Windows Server](#)
[Red Hat Enterprise Linux \(RHEL\)](#)
[SUSE Linux Enterprise Server \(SLES\)](#)
[VMware](#)

NOTE: For more information on The Hewlett Packard Enterprise Certified and Supported ProLiant Servers for OS and Virtualization Software and latest listing of software drivers available for your server, please visit our Support Matrix at: <http://www.hp.com/go/ossupport> and our driver download page: <http://www.hp.com/support/MicroServerGen8>

Graphics Integrated Matrox G200 video standard

- 1280 x 1024 (32 bpp)
- 1920 x 1200 (16 bpp)

HPE iLO 4 On System Management Memory

- 16 MB Flash
- 256 MB DDR 3 with ECC (112 MB after ECC and video)

Form Factor Ultra Micro Tower

On System Management HPE iLO Management Engine

HPE iLO Management Engine is a comprehensive set of embedded management features supporting the complete lifecycle of the server, from initial deployment, through ongoing management, to service alerting and remote support. HPE iLO Management Engine comes standard on all HPE ProLiant Gen8 servers. The HPE iLO Management Engine portfolio includes:

- **HPE iLO:** The HPE iLO (Integrated Lights-Out) management processor is the core foundation for the HPE iLO Management Engine
- **HPE Agentless Management:** Provides built in server health monitoring and alerting capability without OS agents, that starts working the moment a power cord and an Ethernet cable are connected.

Standard Features

- **HPE Active Health System:** Always on, continuous monitoring for increased stability and shorter downtimes; 100% configuration history; Health and service alerts and easy export and upload to Service and Support.
- **HPE Intelligent Provisioning:** Lets customers provision and configure a single server without any separate media. No more SmartStart CDs or Smart Update Firmware DVD are needed.
 - To start Intelligent Provisioning:
 - Press the F10 key during the ProLiant Gen8 server boot process (also known as power on self-test or POST).
 - Please go to the Intelligent Provisioning website at <http://www.hp.com/go/intelligentprovisioning> for additional information and to view usage videos.
 - Use the Service Pack for ProLiant (SPP) at <http://www.hp.com/go/spp> to get firmware and software updates.
- **HPE iLO Mobile App:** Enables the ability to access, deploy, and manage your server anytime from anywhere from select smartphones and mobile devices. For additional information please visit: <http://www.hp.com/go/ilo/mobileapp>

NOTE: For more information, visit: <http://www.hp.com/go/ilo> or [HPE iLO Management Engine technologies whitepaper](#)

HPE Insight Management

HPE Service Pack for ProLiant (SPP)

HPE Service Pack for ProLiant (SPP) and HPE Smart Update Manager (HPE SUM) version 5 provide a new, comprehensive approach to firmware and system software maintenance. Together they provide better operating stability and ensure maximum uptime. The SPP will be updated at a predictable cadence, typically coinciding with new HPE server hardware launches. By enabling all firmware to be updated online and integrating firmware and system software updates in one operation HPE SUM and the SPP offer faster updates of individual servers and dramatically faster updates of entire BladeSystem enclosures. Further improving system uptime and stability is the fact that Hewlett Packard Enterprise provides 12 months of support on each Service Pack for ProLiant.

The user experience around HPE SUM and the SPP has been improved in several ways, starting with the web download. A single web page provides access to a single download containing both the latest version of HPE SUM version 5 and the latest SPP. Optional smaller subsets with only specific types of servers or specific operating systems are offered to save on download time. The HPE SUM application has been re-written to provide a more straightforward, intuitive user interface that guides the user through the steps of discovery, analyses and update, providing comprehensive information on available updates, criticality and interdependencies. This information is also available in reports. By providing the option of multiple local or shared repositories which can be easily updated from hp.com, HPE SUM provides the tools to optimize stability and consistency throughout the company. While HPE SUM and the SPP will recommend the combinations of firmware and system software that Hewlett Packard Enterprise has found to be the best practice, the application gives

Standard Features

customers the flexibility to set their own specific baseline.

The Service Pack for ProLiant has been rigorously tested with specific attention for interaction between firmware, drivers and agents both within the server as well as in interaction with the BladeSystem enclosure components (Onboard Administrator and Virtual Connect). This testing ensures the highest quality as well as providing the input for HPE SUM to deploy updates taking into account all interdependencies, when determining the correct updates and order of update deployment.

NOTE: The Service Pack for ProLiant (which includes HPE SUM 5) can be downloaded from <http://www.hp.com/go/spp/download>. More information can be found: <http://www.hp.com/go/spp> and <http://www.hp.com/go/hpsum>

Security

Setup password

Warranty

This product is covered by a global limited warranty and supported by HPE Services and a worldwide network of Hewlett Packard Enterprise Authorized Channel Partners. Hardware diagnostic support and repair is available for one year from date of purchase. Support for software and initial setup is available for 90 days from date of purchase. Enhancements to warranty services are available through HPE Pointnext operational services or customized service agreements. Hard drives have either a one year or three year warranty; refer to the specific hard drive QuickSpecs for details.

NOTE: Server Warranty includes 1 year Next Day Parts replacement, 0-Years Labor, 0-Years Onsite support. Additional information regarding worldwide limited warranty and technical support is available at: <http://h17007.www1.hp.com/us/en/enterprise/servers/warranty/>.

Optional Features

HPE Insight management software

HPE Insight Control

HPE Insight Control, a product option, delivers essential infrastructure management that can help save time and money by making it easy to deploy, migrate, monitor, remote control, and optimize your IT infrastructure through a single, simple management console. HPE Insight Control also supports Location and Power Discovery Services to automate many configuration, asset tracking, and power management tasks to speed implementation and prevent downtime. For more information, see <http://www.hp.com/go/insightcontrol>.

HPE Insight Control includes one year of 24 x 7 HPE Software Technical Support and Update Service ensuring rapid access to Hewlett Packard Enterprise support staff and proactive delivery of software updates. For more information about this service, see:

<http://www.hp.com/services/insight>

HPE iLO Essentials

HPE iLO Essentials license ideal for small and medium business customers. The specially created HPE iLO Essentials (a subset of iLO Advanced functionality) saves SMB customers time and money, by ease of remote server set up through the interactive virtual media, lowering operational costs with remote access via the Integrated Remote Console, and faster time to resolution with email-based proactive notifications. With this newly designed HPE iLO Essentials license SMB customers now have the option of a server management package solely design and priced just right for their IT environments. HPE iLO Essentials is available on all HPE ProLiant Gen8 e-series making this an ideal solution for small business owners. For more information, see: <http://www.hp.com/go/iLO/essentials>

HPE iLO Advanced

HPE Integrated Lights-Out Advanced License a product option, providing smart remote server management without compromise. iLO Advanced unlocks the full set of remote administration functionality for all HPE ProLiant servers by activating the full Virtual Keyboard Video and Mouse remote console, multi-user collaboration, console record and replay, GUI-based and scripted virtual media and virtual folders, and enhanced security and power management functionality. For more information, see:

<http://www.hp.com/go/iloadvanced>

HPE Insight Online

HPE Insight Online is a new addition to the HPE Support Center for one stop, secure access to product and HPE support information personalized to your IT environment. Insight Online can automatically display devices remotely monitored by HPE Insight Remote Support. With Insight Online's easy navigation you can efficiently track your IT support contracts and device status from anywhere and at any time. <http://www.hp.com/go/insightonline>

Factory Express Portfolio for Servers and Storage

HPE Factory Express offers configuration, customization, integration and deployment services for Hewlett Packard Enterprise servers and storage products. Customers can choose how their factory solutions are built, tested, integrated, shipped and deployed.

HPE Simple Configurator

SCE is a guided self-service tool to help sales and non-technical people provide customers with initial configurations in 3 to 5 minutes. You may then send the configuration on for configuration help, or use in your existing ordering processes. If you require "custom" rack configuration or configuration for products not available in SCE, please contact The Hewlett Packard Enterprise Customer Business Center or an Authorized Partner for assistance. <http://www.hp.com/products/configurator>

Service and Support

Service and Support

HPE Technology Services for Industry Standard Servers

HPE Technology Services delivers confidence, reduces risk and helps customers realize agility and stability. Connect to HPE to help prevent problems and solve issues faster. Our support technology lets you to tap into the knowledge of millions of devices and thousands of experts to stay informed and in control, anywhere, any time.

Protect your business beyond warranty with HPE Pointnext operational services

HPE Pointnext operational services enable you to order the right service level, length of coverage and response time as you purchase your new server, giving you full entitlement for the term you select.

Optimized Care

Supports maintaining servers at optimum performance availability

Foundation Care 24x7, three-year Care Pack Service

HPE Foundation Care 24x7 connects you to HPE 24 hours a day, seven days a week for assistance on resolving issues. Hardware onsite response within four hours if needed; collaborative software included in this Care Pack service provides troubleshooting assistance on industry leading software running on your HPE server. Simplify your support experience and make HPE your first call for hardware or software questions.

<https://www.hpe.com/h20195/V2/GetDocument.aspx?docname=4AA4-8876ENW&cc=us&lc=en>

Standard Care

Supports maintaining high level of server availability

Foundation Care NBD, three-year Care Pack Service

HPE Foundation Care Next Business Day connects you to HPE during business hours for assistance on resolving issues – features next business day hardware onsite response if needed and software call back within two hours. Collaborative software support is included and provides troubleshooting assistance on industry leading software running on your server. Simplify your support experience and make HPE your first call for hardware or software questions.

<https://www.hpe.com/h20195/V2/GetDocument.aspx?docname=4AA4-8876ENW&cc=us&lc=en>

Related Services

HPE ProLiant Server Hardware Installation

Provides for the basic hardware installation of Hewlett Packard Enterprise branded servers, storage devices and networking options to assist you in bringing your new hardware into operation in a timely and professional manner.

<https://www.hpe.com/h20195/V2/GetPDF.aspx/5981-9356EN.pdf>

Connect your devices to HPE

Unlock all of the benefits of your technology investment by connecting your products to HPE. Achieve up to 77% reduction in down time, near 100% diagnostic accuracy and a single consolidated view of your environment. By connecting, you will receive 24x7 monitoring, pre-failure alerts, automatic call logging, and automatic parts dispatch. HPE Proactive Care Service and HPE Datacenter Care Service customers will also benefit from proactive activities to help prevent issues and increase optimization. All of these benefits are already available to you with your server storage and networking products, securely connected to HPE support.

Parts and Materials

Hewlett Packard Enterprise will provide HPE-supported replacement parts and materials necessary to maintain the covered hardware product in operating condition, including parts and materials for available and recommended engineering improvements.

Parts and components that have reached their maximum supported lifetime and/or the maximum usage limitations as set forth in the manufacturer's operating manual, product quick-specs, or the technical product data sheet will not be provided, repaired, or replaced as part of these services.

Service and Support

The defective media retention service feature option applies only to Disk or eligible SSD/Flash Drives replaced by Hewlett Packard Enterprise due to malfunction.

For more information

To learn more on HPE ProLiant servers, please contact your Hewlett Packard Enterprise sales representative or Hewlett Packard Enterprise Authorized Channel Partner. Or visit:

<http://www.hp.com/services/proliant>

Pre-configured Models

Entry Model

HP ProLiant MicroServer Gen8 G1610T 1P 4GB-U B120i Non-hot Plug SATA Server 819185-001	Processor	(1) Intel® Celeron® G1610T (2.3GHz/2-core/2MB/35W) Processor
	Cache Memory	2MB (1 x 2MB) L3 cache
	Memory	4GB (1 x 4GB) PC3L-12800E DDR3 UDIMM NOTE: Total of 2 DIMM slots.
	Network Controller	HPE Ethernet 1Gb 2-port 332i Adapter
	Storage Controller	HPE Dynamic Smart Array B120i Controller
	Hard Drive	None ship standard
	Internal Storage	4 LFF NHP SATA HDD cage; includes 4 LFF hard drive carriers
	Optical Drive Bay	None ship standard
	PCI Slots	1 standard (1-Low Profile) PCIe 2.0
	Power Supply	150W Non-Hot Plug, Non-Redundant Power Supply (all models except EMEA) 200W Non-Hot Plug, Non-Redundant Power Supply (EMEA only)
	Fans	One (1) Non-redundant system fan ships standard
	Management	HPE iLO Management Engine Optional: iLO Essentials; iLO Advanced
	Operating System	None
	Form Factor	Ultra Micro Tower
Warranty	Server Warranty includes 1-Year Parts, 0-Year Labor, 0-Year Onsite support with next business day response	

HP ProLiant MicroServer Gen8 G1610T 1P 2GB-U B120i NHP SATA Server 712317-001	Processor	(1) Intel® Celeron® G1610T (2.3GHz/2-core/2MB/35W) Processor
	Cache Memory	2MB (1 x 2MB) L3 cache
	Memory	2GB (1 x 2GB) PC3-12800E DDR3 UDIMM NOTE: Total of 2 DIMM slots.
	Network Controller	HPE Ethernet 1Gb 2-port 332i Adapter
	Storage Controller	HPE Dynamic Smart Array B120i Controller
	Hard Drive	None ship standard
	Internal Storage	4 LFF NHP SATA HDD cage; includes 4 LFF hard drive carriers
	Optical Drive Bay	None ship standard
	PCI Slots	1 standard (1-Low Profile) PCIe 2.0
	Power Supply	150W Non-Hot Plug, Non-Redundant Power Supply (all models except EMEA) 200W Non-Hot Plug, Non-Redundant Power Supply (EMEA only)
	Fans	One (1) Non-redundant system fan ships standard
	Management	HPE iLO Management Engine Optional: iLO Essentials; iLO Advanced
	Operating System	None
	Form Factor	Ultra Micro Tower
Warranty	Server Warranty includes 1-Year Parts, 0-Year Labor, 0-Year Onsite support with next business day response	

Base Model

Pre-configured Models

HP ProLiant MicroServer Gen8 G2020T 1P 2GB-U B120i NHP SATA Server 712318-001	Processor	(1) Intel® Pentium® G2020T (2.5GHz/2-core/3MB/35W) Processor
	Cache Memory	3MB (1 x 3MB) L3 cache
	Memory	2GB (1 x 2GB) PC3-12800E DDR3 UDIMM NOTE: Total of 2 DIMM slots.
	Network Controller	HPE Ethernet 1Gb 2-port 332i Adapter
	Storage Controller	HPE Dynamic Smart Array B120i Controller
	Hard Drive	None ship standard
	Internal Storage	4 LFF NHP SATA HDD cage; includes 4 LFF hard drive carriers
	Optical Drive Bay	None ship standard
	PCI-Express Slots	1 standard (1-Low Profile) PCIe 2.0
	Power Supply	150W Non-Hot Plug, Non-Redundant Power Supply (all models except EMEA) 200W Non-Hot Plug, Non-Redundant Power Supply (EMEA only)
	Fans	One (1) Non-redundant system fan ships standard
	Management	HPE iLO Management Engine Optional: iLO Essentials; iLO Advanced
	Operating System	None
	Form Factor	Ultra Micro Tower
	Warranty	Server Warranty includes 1-Year Parts, 0-Year Labor, 0-Year Onsite support with next business day response
HP ProLiant MicroServer Gen8 i3-3240 1P 4GB-U B120i Non-hot Plug SATA Server 819186-001	Processor	(1) Intel® Core i3-3240™ i3-3240 (3.4GHz/2-core/3MB/55W) Processor
	Cache Memory	3MB (1 x 3MB) L3 cache
	Memory	4GB (1 x 4GB) PC3-12800E DDR3 UDIMM NOTE: Total of 2 DIMM slots.
	Network Controller	HPE Ethernet 1Gb 2-port 332i Adapter
	Storage Controller	HPE Dynamic Smart Array B120i Controller
	Hard Drive	None ship standard
	Internal Storage	4 LFF NHP SATA HDD cage; includes 4 LFF hard drive carriers
	Optical Drive Bay	None ship standard
	PCI-Express Slots	1 standard (1-Low Profile) PCIe 2.0
	Power Supply	200W Non-Hot Plug, Non-Redundant Power Supply (all models except EMEA)
	Fans	One (1) Non-redundant system fan ships standard
	Management	HPE iLO Management Engine Optional: iLO Essentials; iLO Advanced
	Operating System	None
	Form Factor	Ultra Micro Tower
	Warranty	Server Warranty includes 1-Year Parts, 0-Year Labor, 0-Year Onsite support with next business day response

Pre-configured Models

Performance Model

HP ProLiant MicroServer Gen8 E3-1220Lv2 1P 4GB-U B120i Non-hot Plug SATA Server 819187-001	Processor	(1) Intel® Xeon® E3-1220Lv2 (2.3GHz/2-core/3MB/17W) Processor
	Cache Memory	3MB (1 x 3MB) L3 cache
	Memory	4GB (1 x 4GB) PC3L-12800E DDR3 UDIMM NOTE: Total of 2 DIMM slots.
	Network Controller	HPE Ethernet 1Gb 2-port 332i Adapter
	Storage Controller	HPE Dynamic Smart Array B120i Controller
	Hard Drive	None ship standard
	Internal Storage	4 LFF NHP SATA HDD cage; includes 4 LFF hard drive carriers
	Optical Drive Bay	None ship standard
	PCI-Express Slots	1 standard (1-Low Profile) PCIe 2.0
	Power Supply	150W Non-Hot Plug, Non-Redundant Power Supply (all models except EMEA)
		200W Non-Hot Plug, Non-Redundant Power Supply (EMEA only)
	Fans	One (1) Non-redundant system fan ships standard
	Management	HPE iLO Management Engine Optional: iLO Essentials; iLO Advanced
	Operating System	None
	Form Factor	Ultra Micro Tower
Warranty	Server Warranty includes 1-Year Parts, 0-Year Labor, 0-Year Onsite support with next business day response	

Smart Buy Models

[SKU Number]	775590-S01	783958-S01	783959-S01
Model Name	HP MicroServer Gen8 E3-1220Lv2 US Server/S-Buy	HP MicroServer Gen8 E3-1220Lv2 2x1TB US Svr/S-Buy	HP MicroServer Gen8 E3-1220Lv2 4x1TB US Svr/S-Buy
Processor	Intel® Xeon® E3-1220Lv2		
Number of Processors	One		
Memory	8GB (1x8GB DDR3 Unbuffered UDIMM)	4GB (1x4GB DDR3 Unbuffered UDIMM)	8GB (1x8GB DDR3 Unbuffered UDIMM)
Network Controller	HPE Ethernet 1Gb 2-port 332i Adapter		
Storage Controller	HPE Dynamic Smart Array B120i		
Hard Drive	None ship standard	2x1TB Entry-Level LFF SATA	4x1TB Entry-Level LFF SATA
Internal Storage	4 LFF NHP SATA HDD cage; includes 4 LFF hard drive carriers		
Optical Drive	None ship standard		
PCI-Express Slots	1 standard (1-Low Profile) PCIe 2.0		
Power Supply	150W Non-Hot Plug, Non-Redundant Power Supply		
Fans	One (1) Non-redundant system fan ships standard		
Management	Standard: HPE iLO Management Engine Optional: iLO Essentials; iLO Advanced		
Operating System	None ship standard		
Form Factor	Ultra Micro Tower		
Warranty	Server Warranty includes 1-Year Parts, 0-Year Labor, 0-Year Onsite support with next business day response		

Core Options

HPE Unique Options	HPE MicroServer Gen8 Front Bezel Faceplate Kit NOTE:NOTE: This kit includes all three Front Bezel Faceplate colors (Blue, Red and Black).	722320-B21
---------------------------	--	------------

HPE Memory

Unbuffered with ECC DIMMs (UDIMMs)

HPE 2GB(1x2GB) Single Rank x8 PC3-12800E (DDR3-1600) Unbuffered CAS-11 Memory Kit	669320-B21
HPE 4GB (1x4GB) Single Rank x4 PC3-12800E (DDR3-1600) Unbuffered CAS-11 Memory Kit	820077-B21
HPE 4GB (1x4GB) Dual Rank x8 PC3-12800E (DDR3-1600) Unbuffered CAS-11 Memory Kit	669322-B21
HPE 8GB (1x8GB) Dual Rank x8 PC3- 12800E (DDR3-1600) Unbuffered CAS-11 Memory Kit	669324-B21

NOTE: All DDR3 memory option kits consist of one DIMM per kit. For detailed memory configuration rules and guidelines, please use the Online DDR3 Memory Configuration Tool: <http://www.hp.com/go/ddr3memory-configurator>.

NOTE: Depending on the memory configuration and processor model, 1600MHz and 1333MHz memory may operate at a lower speed. Please see the "Memory" section later in this document and the Online Memory Configuration Tool for details at <http://www.hp.com/go/ddr3memory-configurator>.

NOTE: For additional memory rules and guidelines, see the "Memory" section later in this document.

NOTE: For more information on ProLiant Energy Efficient Features, see:

<http://www.hp.com/go/proliant-energy-efficient>

NOTE: PC3L is a low voltage memory.

HPE Optical Drives	HPE 9.5mm SATA DVD-RW JackBlack Optical Drive	652241-B21
---------------------------	---	------------

HPE Hard Drives

NOTE: The components of a storage subsystem (e.g. the drive, the HBA/controller, firmware, and the server backplane) should operate at the same data transfer rate or the system bandwidth will be negotiated down to an acceptable level for all components.

NOTE: Hard drives have either a one year or three year warranty; refer to the specific hard drive QuickSpecs for details.

6G SATA Non-Hot Plug LFF (3.5-inch) Midline (MDL) Drives

HPE 3TB 6G SATA 7.2K rpm LFF (3.5-inch) Non-hot plug Midline 1yr Warranty Hard Drive	628065-B21
HPE 2TB 6G SATA 7.2K rpm LFF (3.5-inch) Non-hot plug Midline 1yr Warranty Hard Drive	659339-B21
HPE 1TB SATA 6G Midline 7.2K LFF (3.5in) RW 1yr Wty HDD	659337-B21
HPE 500GB SATA 6G Midline 7.2K LFF (3.5in) RW 1yr Wty HDD	659341-B21

Core Options

6G SATA Non-Hot Plug LFF (3.5-inch) Standard (MDL) Drives

HPE 4TB SATA 6G Midline 7.2K LFF (3.5in) RW 1yr Wty HDD	801888-B21
HPE 3TB SATA 6G Midline 7.2K LFF (3.5in) RW 1yr Wty HDD	801886-B21
HPE 2TB SATA 6G Midline 7.2K LFF (3.5in) RW 1yr Wty HDD	801884-B21
HPE 1TB SATA 6G Midline 7.2K LFF (3.5in) RW 1yr Wty HDD	801882-B21

6G SATA Non-Hot Plug LFF (3.5-inch) ETY HDD

HPE 4TB SATA 6G Entry 5.9K LFF (3.5in) RW 1yr Wty HDD	815635-B21
---	------------

6G SATA Non-Hot Plug LFF (3.5-inch) STY HDD

HPE 3TB SATA 6G Midline 7.2K LFF (3.5in) RW 1yr Wty HDD	843270-B21
---	------------

6G SATA Non-Hot Plug LFF (3.5-inch) ETY HDD

HPE 2TB SATA 6G Midline 7.2K LFF (3.5in) RW 1yr Wty HDD	843268-B21
HPE 1TB SATA 6G Entry 7.2K LFF (3.5in) RW 1yr Wty HDD	843266-B21
HPE 500GB SATA 6G Midline 7.2K LFF (3.5in) RW 1yr Wty HDD	843264-B21

NOTE: Please see the QuickSpecs for Technical Specifications and additional information:

<https://www.hpe.com/h20195/v2/gethtml.aspx?docname=c04111725>

HPE Networking

HPE NC365T 4-port Ethernet Server Adapter	593722-B21
---	------------

NOTE: Please see the QuickSpecs for Technical Specifications and additional information: <http://www.hp.com/go/ProLiantNICs>

HPE PS110 Wireless 802.11n VPN AM Router	JL065A
HPE PS110 Wireless 802.11n VPN WW Router	JL066A

NOTE: HPE PS110 Wireless VPN Router Series, custom designed to physically stack on top of the HPE ProLiant MicroServer Gen8, deliver high-performance internet access and wired/wireless connectivity for offices and remote/mobile employees.

NOTE: Please see the QuickSpecs for Technical Specifications and additional information:

<https://www.hpe.com/h20195/v2/GetHtml.aspx?docname=c04519011>

HPE PS1810-8G Switch	J9833A
HPE PS1810-24G Switch	J9834A

NOTE: HPE PS1810 Series Switches have been custom designed to work with the HPE ProLiant MicroServer Gen8. These are layer 2 web-managed gigabit switches with two offerings - 8 port and 24 port models. PS1810 Switches have built-in technology that will enable automatic discovery of ProLiant Gen8 Servers. In addition the 8 port switch had a unique chassis design that enables physical stacking on the MicroServer.

NOTE: Please see the QuickSpecs for Technical Specifications and additional information:

Core Options

<https://www.hpe.com/h20195/v2/gethtml.aspx?docname=c04111385>

Additional Options

HPE Insight Software	HPE Insight Control	
	HPE Insight Control including 1yr 24x7 Technical Support and Updates 1-server LTU	C6N27A
	HPE Insight Control including 1yr 24x7 TSU E-LTU	C6N28ABE
	HPE Insight Management Media Kit	C6N31A

NOTE: Electronic and Flexible-Quantity licenses can be used to purchase multiple licenses with a single activation key.

NOTE: Customer will receive a license entitlement certificate. The license entitlement certificate must be redeemed online or via fax in order to obtain the license activation key(s). Includes one year of 24x7 HPE Software Technical Support and Update Service.

NOTE: Licenses ship without media. The HPE Insight Control Media Kit can be ordered separately, or can be downloaded at:

<http://www.hp.com/go/insightupdates>

NOTE: For additional license options please see the QuickSpecs at:

<https://www.hpe.com/h20195/v2/gethtml.aspx?docname=c04123391>

HPE Integrated Lights-Out (iLO)

HPE Integrated Lights-Out (iLO) Advanced for ProLiant

HPE iLO Essentials including 1yr 24x7 Technical Support and Updates E-LTU	E6U62ABE
HPE iLO Essentials including 3yr 24x7 Technical Support and Updates E-LTU	E6U61ABE
HPE iLO Advanced including 3yr 24x7 Technical Support and Updates E-LTU	E6U64ABE
HPE iLO Advanced including 1yr 24x7 Technical Support and Updates E-LTU	E6U59ABE

NOTE: For additional license options please see the QuickSpecs at:

<https://www.hpe.com/h20195/v2/gethtml.aspx?docname=c04154343>

NOTE: For more information, visit: <http://www.hp.com/go/ilo>

HPE Security	HPE MicroServer Gen8 Front Bezel Faceplate Kit	722320-B21
	HPE Trusted Platform Module Option	488069-B21

NOTE: The TPM (Trusted Platform Module) is a microcontroller chip that can securely store artifacts used to authenticate the server platform. These artifacts can include passwords, certificates and encryption keys. Windows® BitLocker™ Drive Encryption (BitLocker) is a data protection feature available in Windows Server® 2008. BitLocker leverages the enhanced security capabilities of a Trusted Platform Module (TPM) version 1.2. The TPM works with BitLocker to help protect user data and to ensure that a server running Windows Server 2008 has not been tampered with while the system was offline. For more information about TPM, including a white paper, go to: <http://www.hp.com/go/TPM>

NOTE: The TPM key is unique to every TPM deployed server and must be retained. Misplacing or losing the key could result in data loss.

HPE Storage Controllers SAS Controllers

Smart Array P222 Controller

HPE Smart Array P222/512 FBWC 6Gb 1-port Int/1-port Ext SAS Controller	631667-B21
NOTE:NOTE: HPE Smart Array P22/512 FBWC qualified for RAID support only for HPE ProLiant MicroServer Gen8.	

Additional Options

NOTE: Please see the QuickSpecs for Technical Specifications and additional information:

<https://www.hpe.com/h20195/v2/gethtml.aspx?docname=c04111474>
(Smart Array P222 Controller)

HPE Uninterruptible Power Systems

HPE DirectFlow Three Phase UPS Power Unit (1U UPS)

NOTE: #0D1 will appear after the part number on the sales order if HPE factory integration is indicated.

HPE R12000 DirectFlow - 1U Rackmount Uninterruptible Power System	G9Y75A
HPE R12000 DirectFlow - POD 1U Rackmount Uninterruptible Power System	AF478A

Input/Output Module Options for 1U UPS

NOTE: Choose one I/O Module per UPS.

NOTE: #0D1 will appear after the part number on the sales order if HPE factory integration is indicated.

HPE 30A 400-415 Volt Three Phase NA R10000 DirectFlow UPS IEC309 Input/Output Module	AF489A
HPE 30A 480 Volt Three Phase NA R12000 DirectFlow UPS L22-30 Input/Output Module	AF491A
HPE 30A 480 Volt Three Phase NA R12000 DirectFlow UPS IEC309 Input/Output Module	AF492A
HPE 30A 400-415 Volt Three Phase NA R12000 DirectFlow UPS IEC309 Input/Output Module	G9Y76A

NOTE: All Input/Output Modules support dual output outlets except the AF484A.

HPE Tower UPS

HPE T750 G4 UPS Models

HPE T750 G4 NA/JP Uninterruptible Power System	J2P85A
--	--------

HPE T1000 G4 UPS Models

HPE T1000 G4 NA/JP Uninterruptible Power System	J2P86A
---	--------

HPE T1500 G4 UPS Models

HPE T1500 G4 NA/JP Uninterruptible Power System	J2P87A
---	--------

HPE Rack/Tower UPS

HPE R/T2200 G4 UPS Models

HPE R/T2200 G4 NA/JP Uninterruptible Power System	J2R00A
---	--------

HPE R/T3000 G4 UPS Models

HPE R/T3000 G4 Low Voltage NA/JP Uninterruptible Power System	J2R01A
HPE R/T3000 G4 High Voltage NA/JP Uninterruptible Power System	J2R02A

HPE R1500 G4 Uninterruptible Power Supply (UPS)

HPE R1500 G4 NA Uninterruptible Power System	J2Q99A
--	--------

NOTE: For additional information please go to:

<http://www.hp.com/go/rackandpower>

NOTE: Please see QuickSpecs for Technical Specifications and additional information:

<https://www.hpe.com/h20195/v2/gethtml.aspx?docname=c04154342>

HPE Rack Options

HPE LCD8500 1U Rackmount Console Kit Models

Additional Options

HP LCD8500 1U US Rackmount Console Kit	AF630A
HP LCD8500 1U US TAA Rackmount Console Kit	AF645A
HPE LCD8500 1U Rackmount Console Kit Options	
HP Kit LCD 1.83m Latch Display Port Cable	G7T29A
HPE Location Discovery Services LCD8500 Kit	TL052A
HPE Rack LED Light Kit	BW939A
HPE Server Console Switches	
HP 0x1x8 G3 KVM Console Switch	AF651A
HP 0x2x16 G3 KVM Console Switch	AF652A
HP TAA 0x2x16 G3 KVM Console Switch	AF653A
HP USB Remote Access Key for G3 KVM Console Switches	AF650A
HPE USB Keyboard and Mouse	
HPE USB US Keyboard/Mouse Kit	631341-B21

NOTE: Please see the QuickSpecs for Technical Specifications and additional information:

<https://www.hpe.com/h20195/v2/gethtml.aspx?docname=c04168349>

HPE USB and SD Options HPE Flash Media Kits for USB Drives

NOTE: HPE qualified blank USB key for use with HPE ProLiant servers that support the VMware virtualization environment and other HPE value-add software. Hewlett Packard Enterprise recommends this industry standard USB flash device for use with VMware ESXi. USB device must be installed in the internal slot of the ProLiant server for use with VMware ESXi. Refer to HPE VMware Getting Started Guide for installation instructions.

HPE 8GB USB Enterprise Mainstream Flash Media Drive Key Kit	737953-B21
---	------------

HPE Enterprise Mainstream Flash Media Kits for Memory Cards

HPE 8GB microSD Enterprise Mainstream Flash Media Kit	726116-B21
---	------------

HPE 32GB microSD Mainstream Flash Media Kit	700139-B21
---	------------

NOTE: Blank SD media device is supported for use with VMware. SD media must be installed in the internal slot of the ProLiant server. SD Media used must be HPE qualified. Learn more at: <http://www.hp.com/go/proliantvirtualization>.

NOTE: Please see the QuickSpecs for Technical Specifications and additional information:

<https://www.hpe.com/h20195/v2/gethtml.aspx?docname=c04123175>

HPE Pointnext operational services

Foundation Care

HPE 3 year Foundation Care Next business day Microserver Service	U2EF7E
HPE 3 year Foundation Care Next business day with DMR Microserver Service	U2EF8E
HPE 3 year Foundation Care Next business day with CDMR Microserver Service	U2EF9E
HPE 3 year Foundation Care 24x7 Microserver Service	U2EG0E
HPE 3 year Foundation Care 24x7 wDMR Microserver Service	U2EG1E
HPE 3 year Foundation Care 24x7 wCDMR Microserver Service	U2EG2E
HPE 3 year Foundation Care Call to Repair Microserver Service	U2EG3E

Additional Options

HPE 3 year Foundation Care Call to Repair wDMR Microserver Service	U2EG4E
HPE 3 year Foundation Care Call to Repair wCDMR Microserver Service	U2EG5E
HPE 4 year Foundation Care Next business day Microserver Service	U2EG6E
HPE 4 year Foundation Care Next business day with DMR Microserver Service	U2EG7E
HPE 4 year Foundation Care Next business day with CDMR Microserver Service	U2EG8E
HPE 4 year Foundation Care 24x7 Microserver Service	U2EG9E
HPE 4 year Foundation Care 24x7 wDMR Microserver Service	U2EH0E
HPE 4 year Foundation Care 24x7 wCDMR Microserver Service	U2EH1E
HPE 5 year Foundation Care Next business day Microserver Service	U2EH2E
HPE 5 year Foundation Care Next business day with DMR Microserver Service	U2EH3E
HPE 5 year Foundation Care Next business day with CDMR Microserver Service	U2EH4E
HPE 5 year Foundation Care 24x7 Microserver Service	U2EH5E
HPE 5 year Foundation Care 24x7 wDMR Microserver Service	U2EH6E
HPE 5 year Foundation Care 24x7 wCDMR Microserver Service	U2EH7E

Installation Services

NOTE: Reduce the time required to get your system up and running and help minimize disruptions to your business.

HPE Install ProLiant MicroServer Service	UR508E
--	--------

NOTE: For more information, customer/resellers can contact:
<http://www.hp.com/services/carepack>

Memory

HPE ProLiant Micro Server Generation 8

Standard Memory

2GB (1x2GB) PC3-12800E DDR3 UDIMM Memory kit installed (712317-001 and 712318-001)

4GB (1x4GB) PC3L-12800E DDR3 UDIMM Memory kit installed (819185-001 and 819187-001)

Maximum Memory

16GB of maximum memory is available with the installation of 2 x 8 GB UDIMM Memory kits.

Memory		Slot	
		1A	2B
Standard	2 GB	2 GB	Empty
	4 GB	4 GB	Empty
Optional	4 GB	2 GB	2 GB
	8 GB	4 GB	4 GB
Maximum	16 GB	8 GB	8 GB

Following are memory options available from HPE:

HPE Memory

Unbuffered with ECC DIMMs (UDIMMs)

HPE 2GB(1x2GB) Single Rank x8 PC3-12800E (DDR3-1600) Unbuffered CAS-11 Memory Kit 669320-B21

HPE 4GB (1x4GB) Single Rank x4 PC3-12800E (DDR3-1600) Unbuffered CAS-11 Memory Kit 820077-B21

HPE 4GB (1x4GB) Dual Rank x8 PC3-12800E (DDR3-1600) Unbuffered CAS-11 Memory Kit 669322-B21

HPE 8GB (1x8GB) Dual Rank x8 PC3- 12800E (DDR3-1600) Unbuffered CAS-11 Memory Kit 669324-B21

NOTE: All DDR3 memory option kits consist of one DIMM per kit. For detailed memory configuration rules and guidelines, please use the Online DDR3 Memory Configuration Tool: <http://www.hp.com/go/ddr3memory-configurator>.

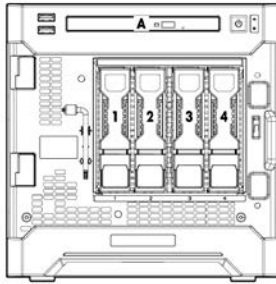
NOTE: Depending on the memory configuration and processor model, 1600MHz and 1333MHz memory may operate at a lower speed. Please see the "Memory" section later in this document and the Online Memory Configuration Tool for details at <http://www.hp.com/go/ddr3memory-configurator>.

NOTE: For additional memory rules and guidelines, see the "Memory" section later in this document.

NOTE: For more information on ProLiant Energy Efficient Features, see: <http://www.hp.com/go/proliant-energy-efficient>

NOTE: PC3L is a low voltage memory. Low voltage memory operates at standard voltage in the MicroServer Gen8.

Storage



A Optical Drive Bay
 1, 2, 3, 4 Four (4) Non-Hot Plug Drive Bays

Drive Support

Removable Media	Quantity Supported	Position Supported	Controller
DVD-RW Drive	1	A	Integrated SATA

Maximum Storage Capacity		
Internal	SATA	16.0TB (4 x 4TB)

Technical Specifications

System Unit	Dimensions (H x W x D) (with feet)	9.15 x 9.06 x 9.65 in (23.24x 23 x 24.5 cm)		
	Weight (approximate)	Maximum (all hard drives, power supply and processor installed)	21.60 lb (9.8 kg)	
		Minimum (one hard drive, power supply, and processor installed)	15.13 lb (6.8 kg)	
	Input Requirements (per power supply)	Rated Line Voltage	100 -- 127 VAC, 200 - 240 VAC	
		Rated Input Current	3.5 A (at 110 VAC), 2 A (at 200 VAC)	
		Rated Input Frequency	50 to 60 Hz	
		Rated Input Power	For 150W Power Supply 192 W (at 100 VAC), 185 W (at 200 VAC) For 200W Power Supply 243 W (at 100 VAC), 237 W (at 200 VAC)	
	BTU Rating	Maximum	For 150 W Power Supply 682 BTU/hr (at 100 VAC), 665 BTU/hr (at 200 VAC) For 200 W Power Supply 838.86 BTU/hr (at 100 VAC), 825.22 BTU/hr (at 200 VAC)	
	Power Specifications	To review typical system power ratings use the Power Advisor which is available via the online tool located at URL: http://www.hp.com/go/hppoweradvisor		
	Power Supply Output (per power supply)	Rated Steady-State Power	For 150 W Power Supply 150 W (at 100 VAC), 150 W (at 200 VAC) For 200 W Power Supply 200 W (at 100 VAC), 200 W (at 200 VAC)	
Maximum Peak Power		For 150 W Power Supply 150 W (at 100 VAC), 150 W (at 200 VAC) For 200 W Power Supply 200 W (at 100 VAC), 200 W (at 200 VAC)		
System Inlet Temperature	Operating	10° to 35°C (50° to 95°F) at sea level with an altitude derating of 1.0°C per every 305 m (1.8°F per every 1000 ft) above sea level to a maximum of 3050 m (10,000 ft), no direct sustained sunlight. Maximum rate of change is 10°C/hr (18°F/hr). The upper limit may be limited by the type and number of options installed. System performance may be reduced if operating with a fan fault or above 30°C (86°F).		

Technical Specifications

Relative Humidity (non-condensing)	Non-operating			-30° to 60°C (-22° to 140°F). Maximum rate of change is 20°C/r (36°F/hr)
	Operating			10 to 90% relative humidity (Rh), 28°C (82.4°F) maximum wet bulb temperature, non-condensing.
Altitude	Non-operating			5 to 95% relative humidity (Rh), 38.7°C (101.7°F) maximum wet bulb temperature, non-condensing.
	Operating			3050 m (10,000 ft). This value may be limited by the type and number of options installed. Maximum allowable altitude change rate is 457 m/min (1500 ft/min).
Acoustic Noise (Fully Loaded)	Non-operating	150W PSU	LWAd	3.9 BELS
			LpAm	21.0 dBA
	200W PSU	LWAd	3.4 BELS	
		LpAm	18.0 dBA	
	Operating	150W PSU	LWAd	3.9 BELS
			LpAm	21.0 dBA
		200W PSU	LWAd	3.5 BELS
			LpAm	18.0 dBA
Acoustic Noise (Lightly Loaded)	Non-operating	150W PSU	LWAd	3.4 BELS
			LpAm	18.0 dBA
	200W PSU	LWAd	3.3 BELS	
		LpAm	18.0 dBA	
	Operating	150W PSU	LWAd	3.5 BELS
			LpAm	18.0 dBA
		200W PSU	LWAd	3.4 BELS
			LpAm	18.0 dBA
Emissions Classification (EMC)	FCC Rating			Class B
	Normative Standards			CISPR 22; EN55022; EN55024; FCC CFR 47, Pt 15; ICES-003; CNS13438; GB9254; K22;K24; EN 61000-3-2; EN 61000-3-3; EN 60950-1; IEC 60950-1

NOTE: Product conformance to cited product specifications is based on sample (type) testing, evaluation, or assessment. This product or family of products is eligible to bear the appropriate compliance logos and statements.

**HPE Dynamic Smart
Array B120i Controller**

Dimensions
**Disk Drive Interface -
Transfer rate**

Embedded
Up to 6Gb/s SATA (Serial ATA)

Technical Specifications

SATA Connectors	5 internal connectors with non-hot-plug support
Server Interface	PCIe 3.0/2.0
SATA Speed	x2 6Gb/s SATA physical links (compatible with 3Gb/s SATA) None
Logical Drives Supported	NOTE: On SATA models with embedded RAID, setup instructions are located in the MicroServer User Guide.
Host Memory Addressing	64-bit, supporting greater than 4GB server memory space
Hot Plug Support	No
RAID Support	RAID 0 (Striping), RAID 1 (Mirroring) RAID 1+0 (Striping & Mirroring)

HPE Ethernet 1Gb 2-port NC332i Adapter	Network Interface	10Base-T/100Base-TX/1000Base-TX		
	Compatibility	IEEE 802.3 10Base-T		
		IEEE 802.3ab 1000Base-T		
		IEEE 802.3u 100Base-TX		
	Energy Efficient Ethernet (EEE) compliant with IEEE Std 802.3az (default is disabled)			
	Data Transfer Method	Single lane (x1), 100MHz PCI Express Reference Clock		
	Controller	BCM5720		
	Network Transfer Rate	10Base-T (Half-Duplex)	10 Mb/s	
		10Base-T (Full-Duplex)	20 Mb/s	
		100Base-TX (Half-Duplex)	100 Mb/s	
100Base-TX (Full-Duplex)		200 Mb/s		
1000Base-TX (Half and Full-Duplex)		2000Mb/s		
Connector	RJ-45 connector			
Cable Support	10Base-T	Categories 3, 4 or 5 UTP; up to 328 ft (100 m)		
	10/100/1000Base-TX	Category 5 UTP; up to 328 ft (100 m)		

Environment-friendly Products and Approach	End-of-life Management and Recycling	<p>Hewlett Packard Enterprise offers end-of-life Hewlett Packard Enterprise product return, trade-in, and recycling programs in many geographic areas. For trade-in information, please go to: http://www.hp.com/go/green. To recycle your product, please go to: http://www.hp.com/go/green or contact your nearest Hewlett Packard Enterprise sales office. Products returned to Hewlett Packard Enterprise will be recycled, recovered or disposed of in a responsible manner.</p>
---	---	---

The EU WEEE directive (2002/95/EC) requires manufacturers to provide treatment information for each product type for use by treatment facilities. This information (product disassembly instructions) is posted on the Hewlett Packard Enterprise web site at: <http://www.hp.com/go/green>. These instructions may be used by recyclers and other WEEE treatment facilities as well as HEWLETT PACKARD ENTERPRISE OEM customers who integrate and re-sell Hewlett Packard Enterprise equipment.

Summary of Changes

Date	Version History	Action	Description of Change
23-Oct-2017	Version 26	Changed	Care Pack naming and Service and Support- Parts and Materials updated.
26-Sep-2016	From Version 24 to 25	Changed	Standard Features, Core Options, and Additional Options were revised.
17-Dec-2015	From Version 23 to 24	Added	Smart Buy models were added to the NA version.
01-Dec-2015	From Version 22 to 23	Added	New Hard Drives offering was added to HPE Hard Drives section. Added new NIC card to HPE Networking.
		Changed	What's New was updated.
		Removed	Obsolete SKUs were removed from the QuickSpecs.
28-Sep-2015	From Version 21 to 22	Added	Added HPE ProLiant MicroServer Gen8 i3-3240 1P 2GB-U B120i NHP SATA Server to Pre-Configured Models.
		Changed	What's New, Processor, and HPE USB and SD Options were revised.
17-Aug-2015	From Version 20 to 21	Added	New BTO SKUs with 4GB UDIMM and Xeon E3-1220Lv2 BTO SKU were added to Pre-configured Models.
		Changed	Memory was updated. Service and Support was revised.
01-Jun-2015	From Version 19 to 20	Removed	Obsolete SKUs were removed from Additional Options.
30-Mar-2015	From Version 18 to 19	Added	New Hard Drives were added to Core Options. Added new HPE Pointnext operational services.
		Changed	Standard Features, Memory, Storage, and Technical Specifications were revised.
09-Feb-2015	From Version 17 to 18	Added	New Hard Drives, DirectFlow UPS, Rack and Tower G4 Models, LCD8500 1U Rackmount Models and Options were added to the Additional Options section. Added support for new HPE PS110 Wireless 82.11n VPN Router.
		Changed	HPE Uninterruptible Power Systems, HPE Rack Options, and HPE Pointnext operational services in Additional Options section were revised.
01-Dec-2014	From Version 16 to 17	Removed	Support services were removed from HPE Pointnext operational services.
01-Nov-2014	From Version 15 to 16	Changed	Service and Support section was revised.
25-Aug-2014	From Version 14 to 15	Changed	Columns aligned. Matching NA version since changes was done in Smart buy section.
18-Jul-2014	From Version 13 to 14	Changed	Power Specifications was revised.
11-Jul-2014	From Version 12 to 13	Changed	Power Supplies and Memory were revised.
27-Jun-2014	From Version 11 to 12	Changed	Changes were made in North America and Canada only.
18-Apr-2014	From Version 10 to 11	Changed	Service and Support, Memory, and HPE Pointnext operational services were revised.
31-Mar-2014	From Version 9 to 10	Changed	HPE Insight Control server deployment was removed from HPE Insight Software. HPE 8GB USB Enterprise Mainstream Flash Media Drive Key Kit was added and HPE 2GB USB Flash Media Drive Key Kit was removed from HPE USB and SD Options.
25-Feb-2014	From Version 8 to 9	Added	Added Image.
18-Feb-2014	From Version 7 to 8	Changed	Processors, Memory, Operating Systems and Virtualization Software Support for ProLiant Servers, HPE Disk Backup, and HPE USB and SD Options were revised.
20-Dec-2013	From Version 6 to 7	Added	Note was added for HPE MicroServer Gen8 Front Bezel Faceplate Kit in HPE Unique Options.

Summary of Changes

11-Oct-2013	From Version 5 to 6	Changed	HPE Proactive Insight experience was removed from Optional Features. Service and Support and Memory and Disk Backup descriptions were revised. Networking Switches was added to Core Options. HPE 8GB SD Enterprise Mainstream Flash Media Kit was added to HPE USB and SD Options.
19-Aug-2013	From Version 4 to 5	Changed	HPE Disk Backup and HPE USB and SD Options were revised in Additional Options. HPE MicroServer Gen8 Front Bezel Faceplate Kit was added to HPE Unique Options and HPE Security. HPE PS1810-24G Switch was added to HPE Networking.
26-Jul-2013	From Version 3 to 4	Changed	Updated the Base Model section.
21-Jun-2013	From Version 2 to 3	Added	HPE Security was added to Additional Options.
11-Jun-2013	From Version 1 to 2	Changed	Corrected Overview image issue.



Sign up for updates

© Copyright 2017 Hewlett Packard Enterprise Development LP. The information contained herein is subject to change without notice. The only warranties for Hewlett Packard Enterprise products and services are set forth in the express warranty statements accompanying such products and services. Nothing herein should be construed as constituting an additional warranty. Hewlett Packard Enterprise shall not be liable for technical or editorial errors or omissions contained herein.

Microsoft and Windows NT are US registered trademarks of Microsoft Corporation.

AMD, the AMD Arrow logo, AMD Opteron™, and combinations thereof, are trademarks of Advanced Micro Devices, Inc.

For hard drives, 1GB = 1 billion bytes. Actual formatted capacity is less.

c04128132 - 14565 - North America - V26 - 23-October-2017

